



Perrin & Rowe® Georgian Era Exposed Shower Package

U.KIT61NLS (Lever Handles)
U.KIT61NX (Cross Handles)

FEATURES

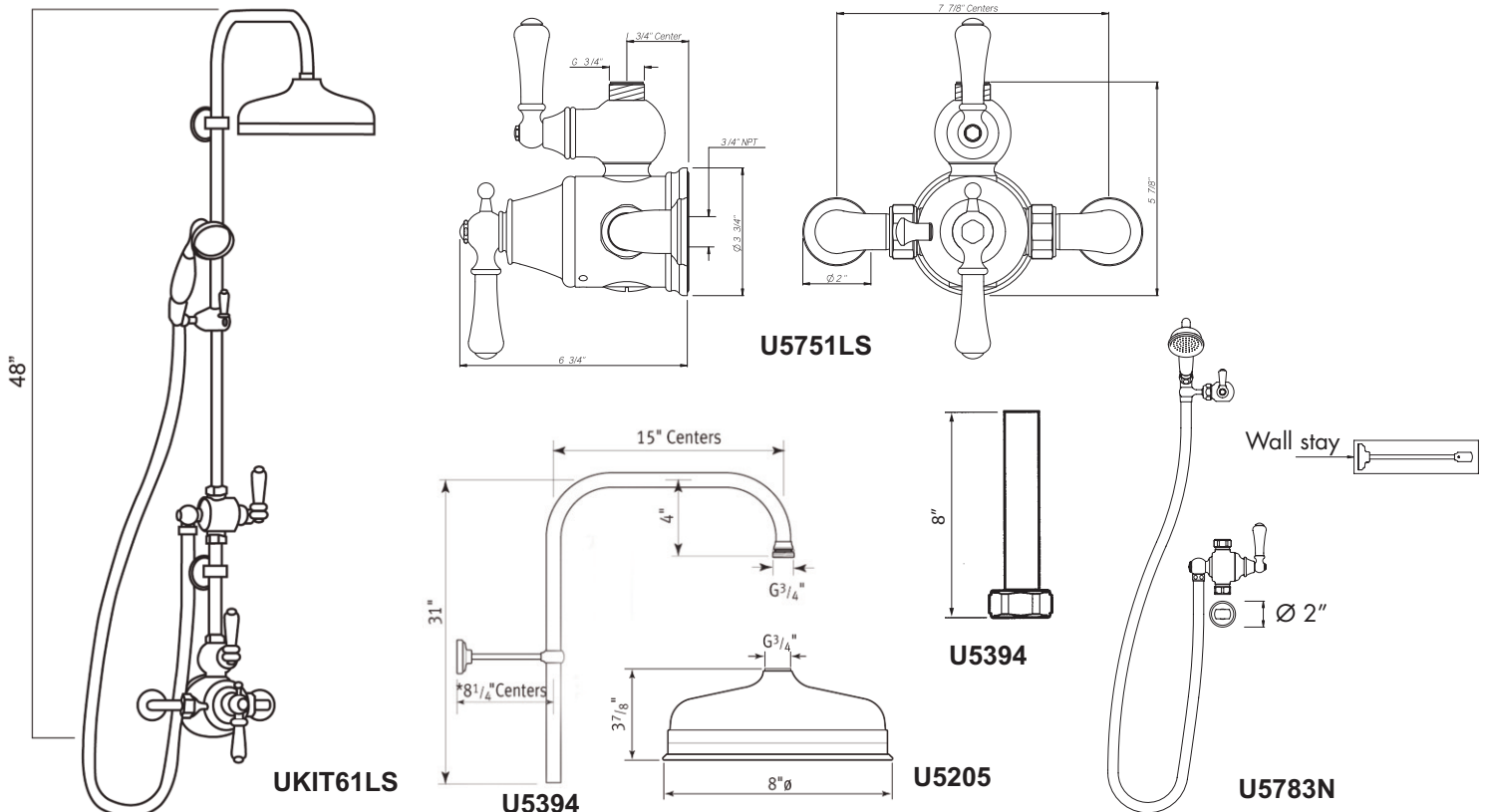
- Shower package components:
 - U.5751LS or U.5752X - Exposed Therm Mixer
 - U.5783N - Diverter, Handshower, & Parking Bracket
 - U.5394 - 8" Therm Outlet Connector
 - U.5393 - 31" Riser
 - U.5205 - 8" Showerhead

COLORS/FINISHES

- Polished Chrome
- Polished Nickel
- Satin Nickel
- English Bronze
- Italian Brass
- Unlacquered Brass

WARRANTY

- See individual component specs for warranty





Georgian Era Exposed Therm Valve with Volume and Temperature Control

ROHL Perrin & Rowe Bath

U.5751LS

FEATURES

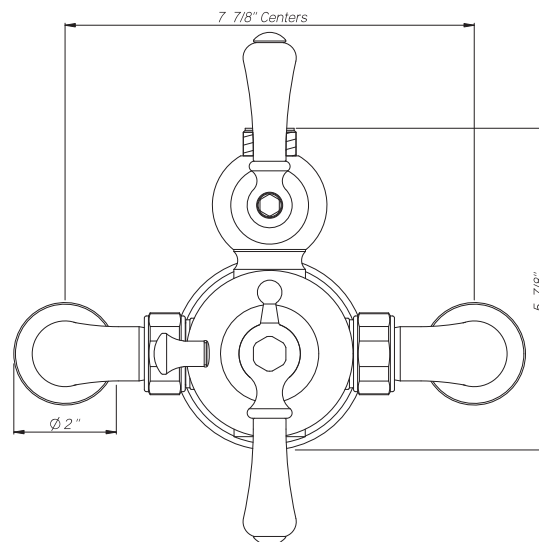
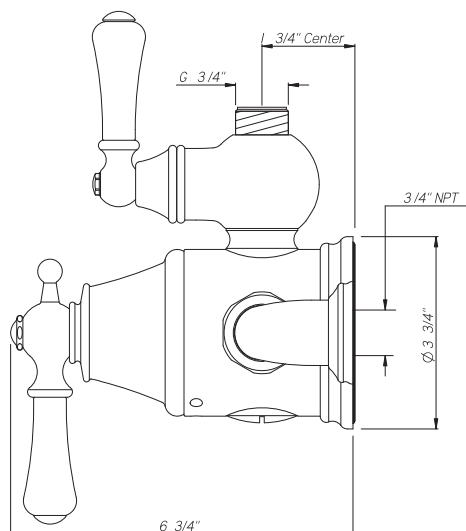
- Inlets 7 7/8" center-to-center
- Inlets 3/4" female NPT
- CNC machined from solid brass bar stock, not cast
- Exposed thermostatic valve
- Volume control, lever handles
- True 3/4" inlets and waterways for high output
- U.5398 secondary outlet adapter required for bottom outlet tub spout connection
- Additional functions should go off top with U.5397
- 14-16 GPM

COLORS/FINISHES

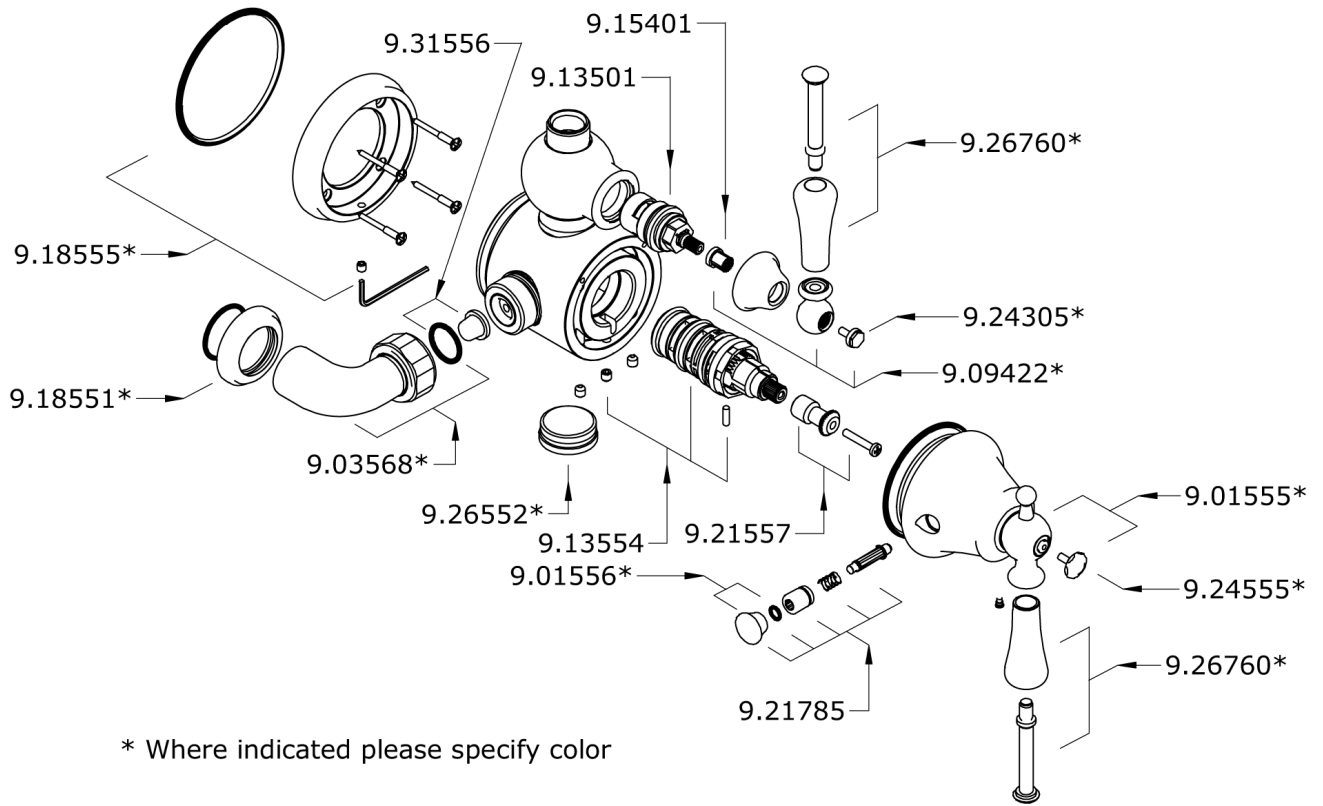
- Polished Chrome
- Polished Nickel
- Satin Nickel
- English Bronze
- Italian Brass
- Unlacquered Brass

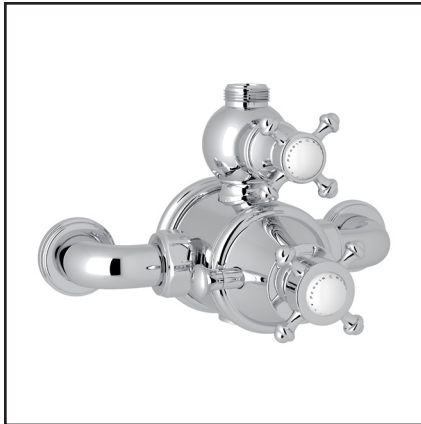
WARRANTY

- Limited Lifetime



U5751LS SPARE PARTS





PERRIN & ROWE® GEORGIAN ERA EXPOSED THERM VALVE WITH VOLUME AND TEMPERATURE CONTROL

Perrin & Rowe® Bath

U.5752X (Cross Handles)

FEATURES

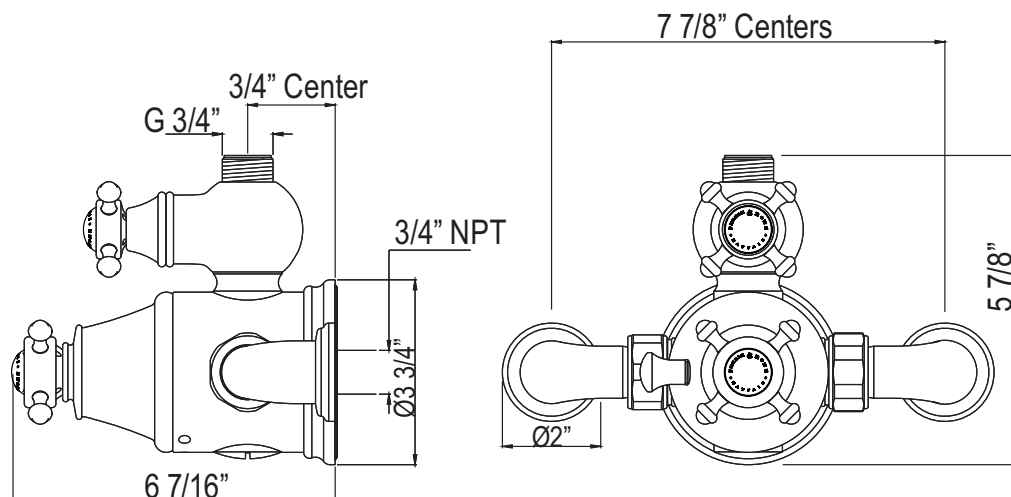
- Inlets 7 7/8" center-to-center
- Inlets 3/4" female NPT
- CNC machined from solid brass bar stock, not cast
- Exposed thermostatic valve
- Volume control, metal lever handles
- True 3/4" inlets and waterways for high output
- U.5398 secondary outlet adaptor required for bottom outlet tub spout connection
- Additional functions should go off top outlet with U.5397
- 14 GPM
- If PEX is utilized, oversize the supply line to 1" for full flow capacity

COLORS/FINISHES

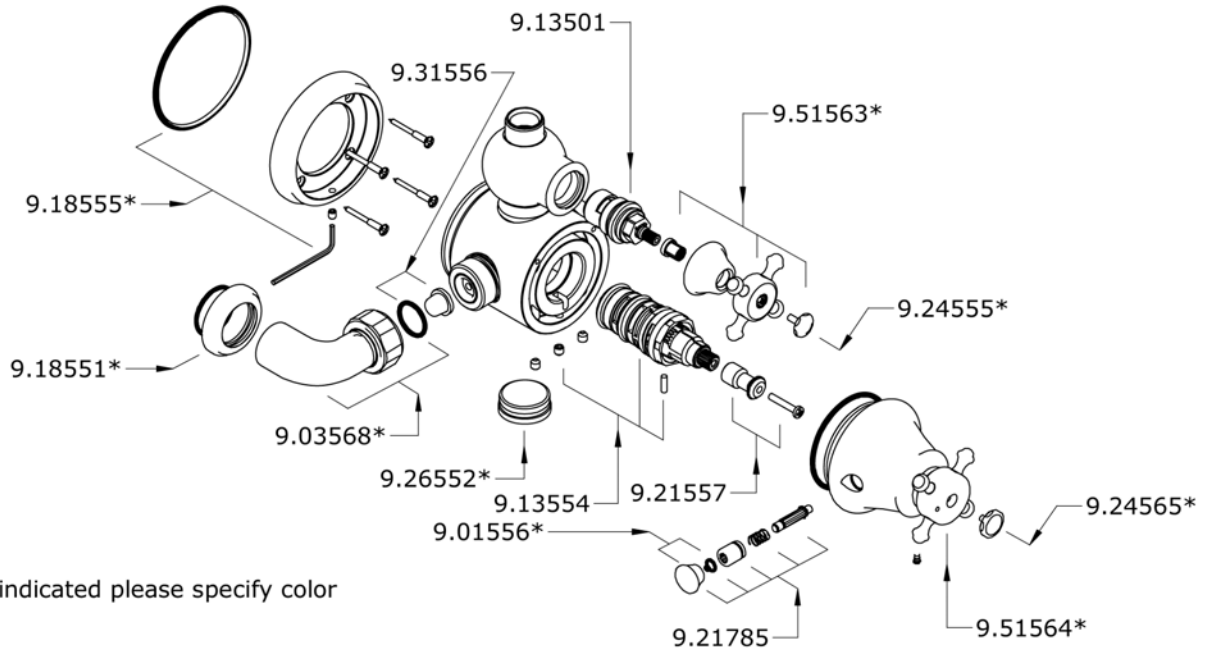
- Polished Chrome
- Polished Nickel
- Satin Nickel
- English Bronze
- Inca Brass
- Unlacquered Brass

WARRANTY

- Limited Lifetime Warranty



U.5752X Spare Parts



* Where indicated please specify color



GEORGIAN ERA RISER DIVERTER WITH HANDSHOWER, HOSE AND PARKING BRACKET

ROHL Perrin & Rowe[®] Bath

U.5783N

FEATURES

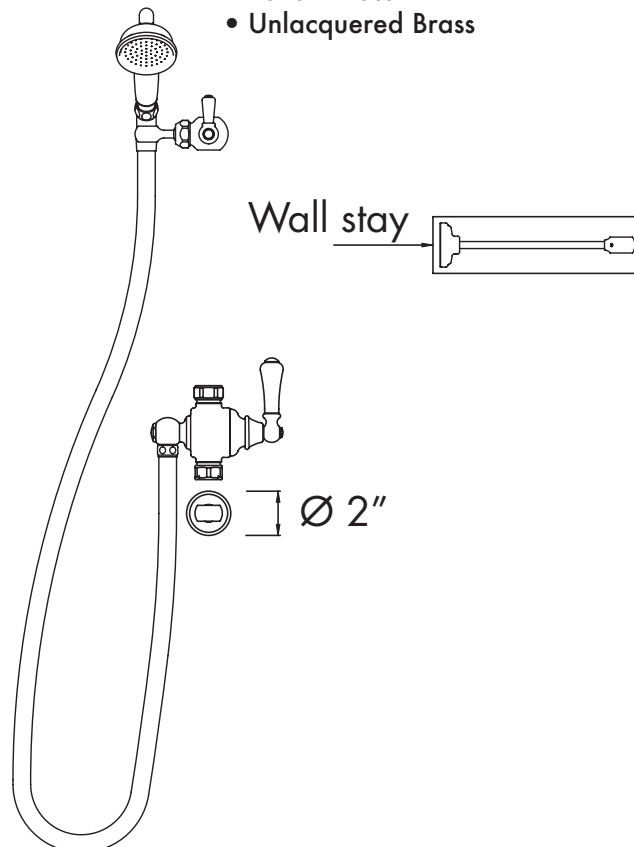
- For use with Georgian Era exposed thermostatic mixer, thermostatic outlet and riser
- 59" flexible metal hose

FINISHES

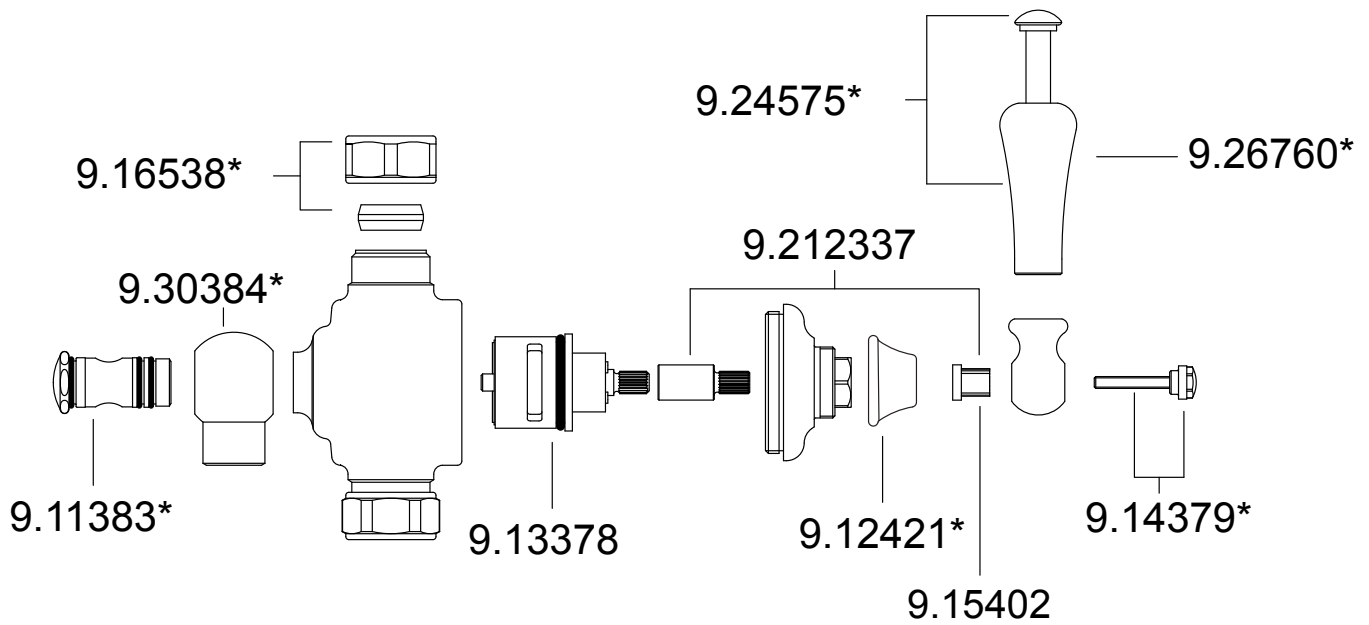
- Polished Chrome
- Polished Nickel
- Satin Nickel
- English Bronze
- Italian Brass
- Unlacquered Brass

WARRANTY

- Limited Lifetime



U.5783 Spare Parts





8" Therm Outlet Connector

ROHL Perrin & Rowe Bath

U.5394

FEATURES

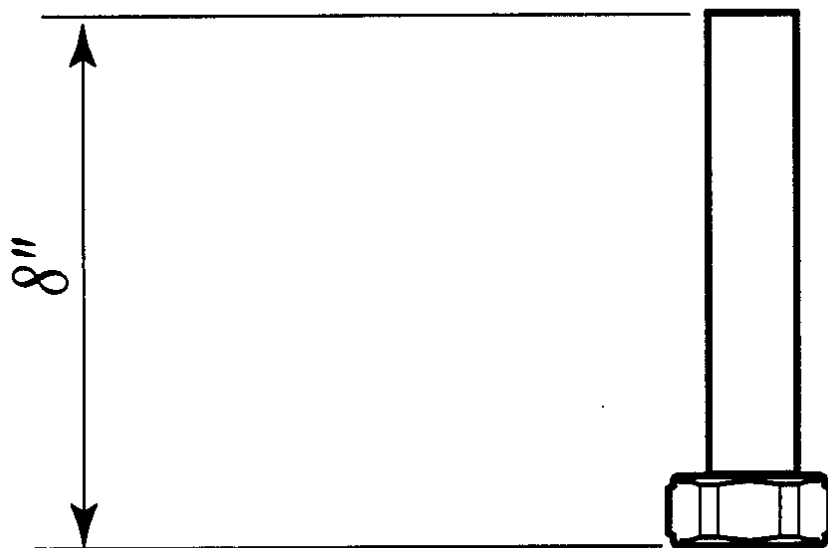
- For use with U.5383 and U.5783 riser diverters, and U.5393 riser
- 3/4" OD

COLORS/FINISHES

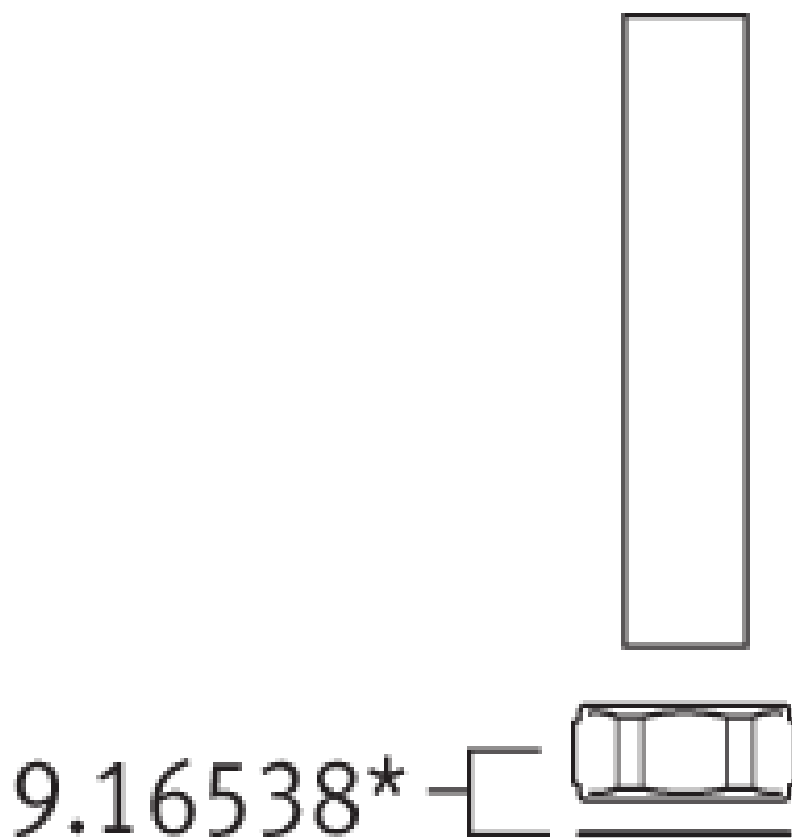
- Polished Chrome
- Polished Nickel
- Satin Nickel
- English Bronze
- Italian Brass
- Unlacquered Brass

WARRANTY

- Limited Lifetime



U.5394 Spare Parts





U.5391 pictured

Rigid Riser Shower Outlets

ROHL Perrin & Rowe Bath

U.5381 (63" riser)

U.5391 (40" riser)

U.5393 (31" riser)

FEATURES

- For use with exposed therm mixers
- Direct connection to outlet of shower or tub/shower mixer
- Adjustable 8" stanchion
- Outlet 3/4" NPSM
- May be cut to length required

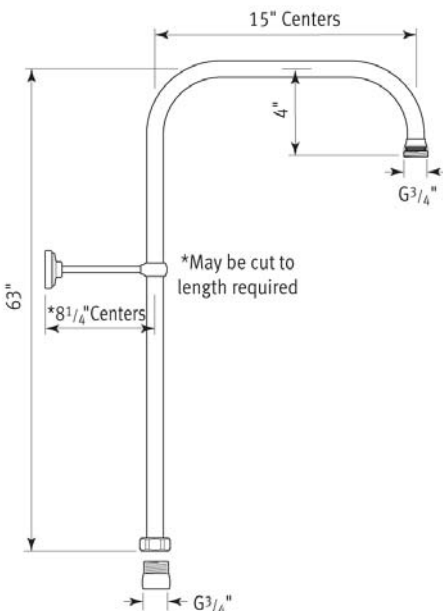
COLORS/FINISHES

- Polished Chrome
- Polished Nickel
- Satin Nickel
- English Bronze
- Italian Brass
- Unlacquered Brass

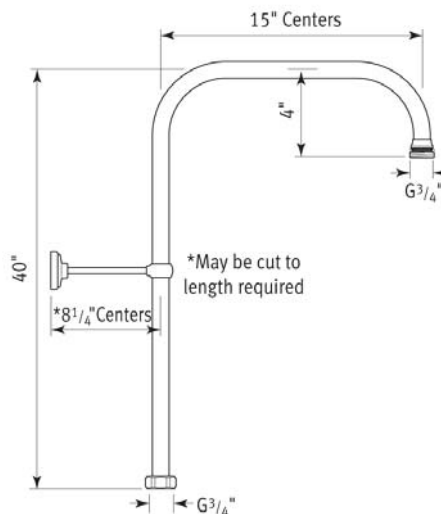
WARRANTY

- Limited Lifetime

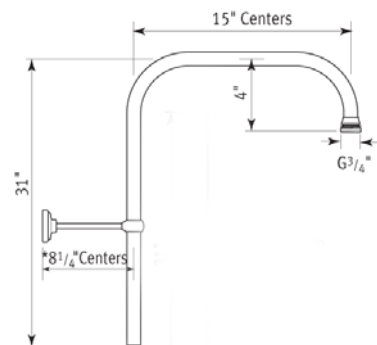
U.5381



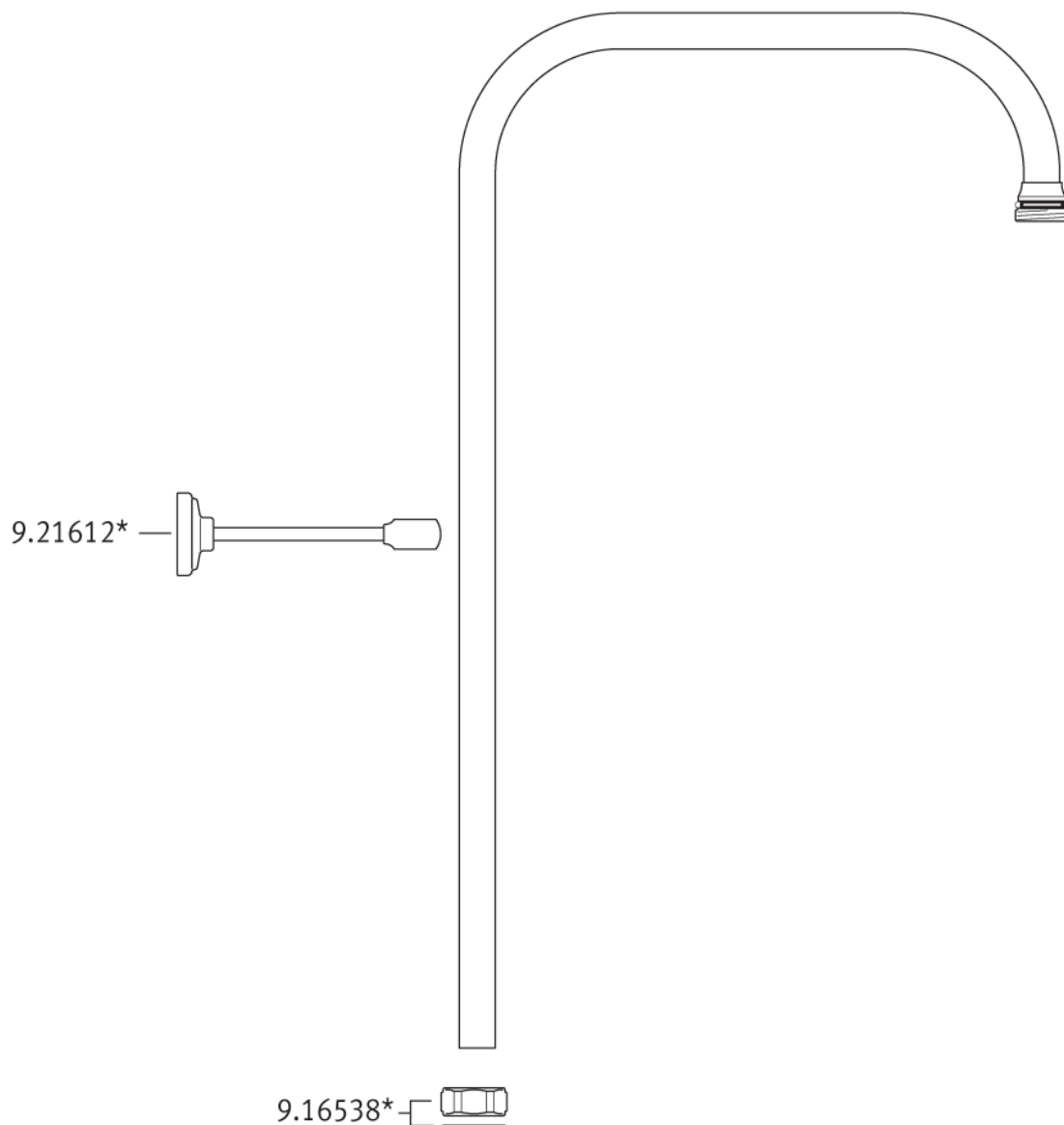
U.5391



U.5393



Riser Spare Parts





8" Showerhead

ROHL Perrin & Rowe[®] Bath

U.5205

FEATURES

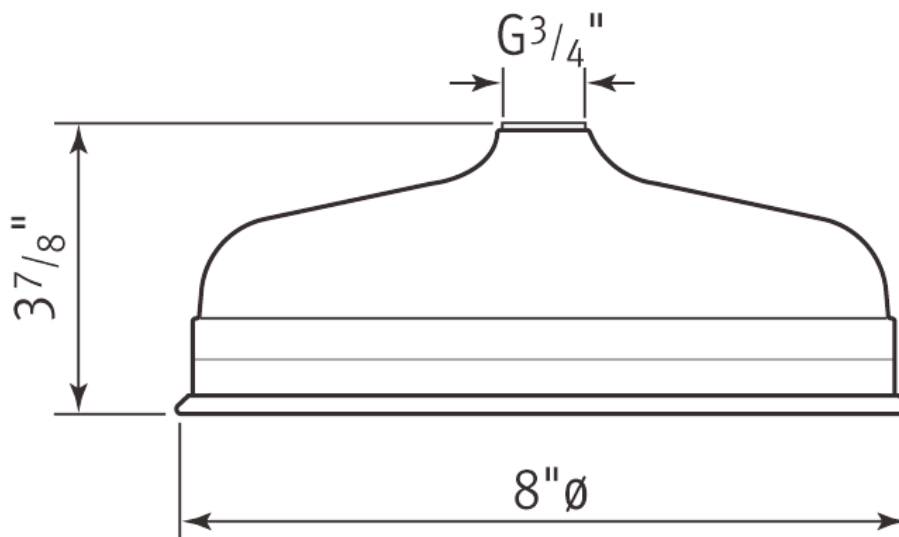
- Large 8" diameter faceplate
- Single function rain spray pattern
- Body constructed of brass
- 3/4" NPSM connection
- Flow rate 2.0 GPM

COLORS/FINISHES

- Polished Chrome
- Polished Nickel
- Satin Nickel
- English Bronze
- Italian Brass
- Unlacquered Brass

WARRANTY

- Limited Lifetime



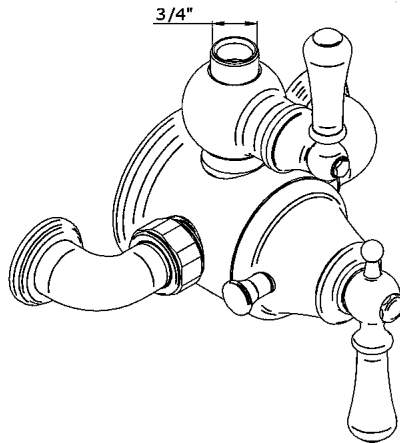
INSTALLATION INSTRUCTIONS

PERRIN & ROWE
MAYFAIR LONDON

The Georgian Bathroom Collection
Installation & User Guide

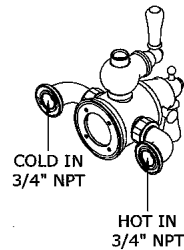
• U.5751L • U.5752X

EXPOSED THERMOSTATIC SHOWER MIXERS



CONTENTS

- Shower Mixer Parts
- Preparation Check
- Installation
- Operation
- Spare Parts

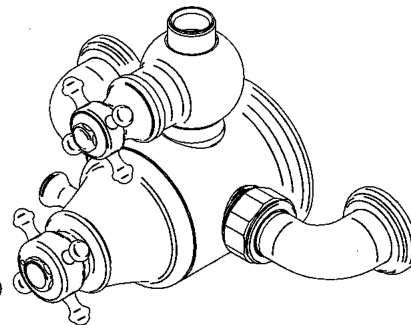


Technical Data:

- Inlets - 3/4" NPT
- Working pressures: 1 bar min - 10 bar max.
- Shut off supply failure: <1 Second.

Performance:

- Factory temperature setting: 100°F (38°C)
- Temperature range: 52-118°F (11-48°C)
- Temperature Hot supply: 149-180°F (65-82°C)
- Temperature Cold supply: 50-72°F (10-22°C)
- Temperature Stability: ±32°F
- Ideal performance obtained with equal hot & cold pressures.



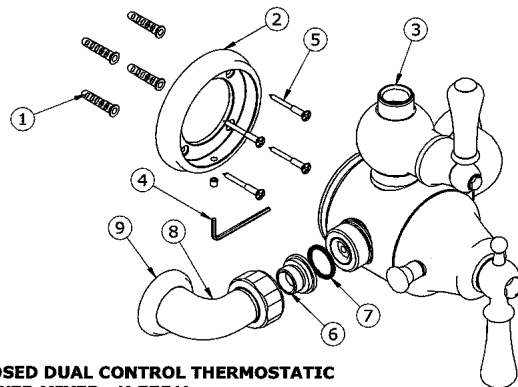
INSTALLATION INSTRUCTIONS

The Georgian Bathroom Collection Installation & User Guide

Congratulations on the purchase of your Perrin & Rowe Bathroom Product. Correctly installed and with sensible care, it will give many years of trouble free service.

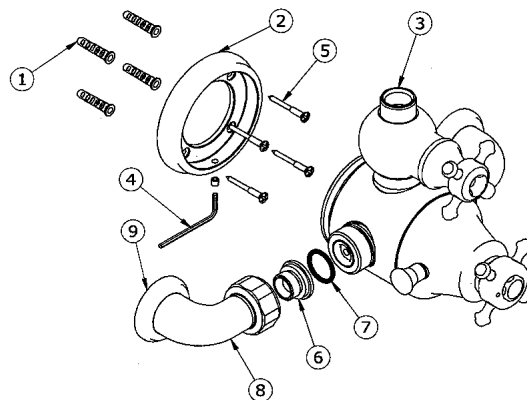
Preparation Check Box for Installer

- Please check carefully that the contents of your Perrin & Rowe Shower Mixer is complete. Please check before you install the product that there is no damage to the contents as **we cannot accept any responsibility after installation.**



- 1 Wall Plugs x 4
- 2 Back Plate
- 3 Mixer Body
- 4 2.5mm AF Hexagonal Key
- 5 Back Plate Screws x 4
- 6 Strainers x 2
- 7 O Ring Seals x 2
- 8 Wall Unions x 2
- 9 Rosettes x 2

**EXPOSED DUAL CONTROL THERMOSTATIC
SHOWER MIXER - U.5751L**



- 1 Wall Plugs x 4
- 2 Back Plate
- 3 Mixer Body
- 4 2.5mm AF Hexagonal Key
- 5 Back Plate Screws x 4
- 6 Strainers x 2
- 7 O Ring Seals x 2
- 8 Wall Unions x 2
- 9 Rosettes x 2

**EXPOSED DUAL CONTROL THERMOSTATIC
SHOWER MIXER - U.5752X**

INSTALLATION INSTRUCTIONS

IMPORTANT INFORMATION

Before you proceed... We recommend you engage the services of a registered plumber to install this product.

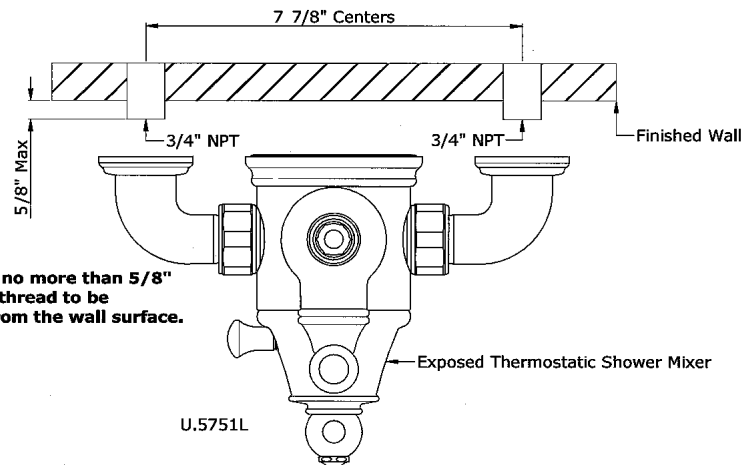
In addition to the guide below it is essential that the written information overleaf is carefully read and understood.

Preparation Check Box for Installer

- Flush the plumbing system before installing the bathroom product.
- We recommend that the hot and cold supplies should have conveniently placed isolating valves to accommodate any servicing requirements.

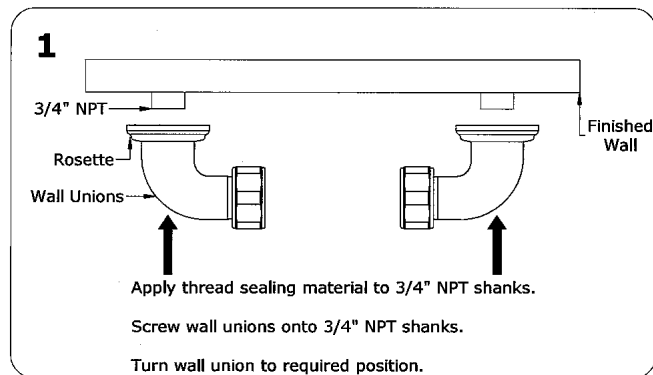
IMPORTANT

- It is possible that there may be a temperature variation between fittings supplied with the mixer.
- Please ensure that the installation complies with the local plumbing codes.
- Fit two 3/4" NPT male fittings into wall at 7 7/8" centers.

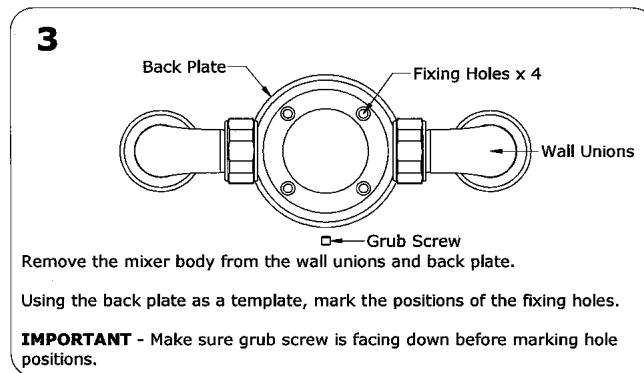
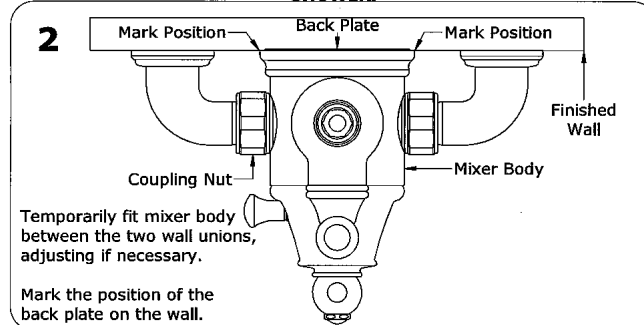


INSTALLATION INSTRUCTIONS

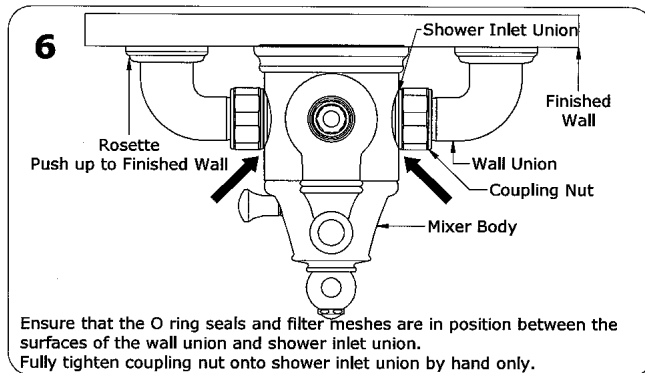
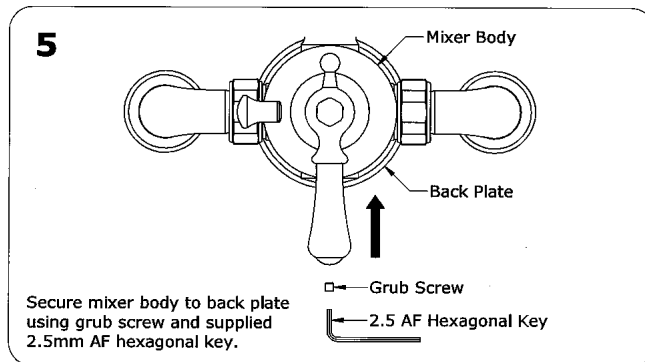
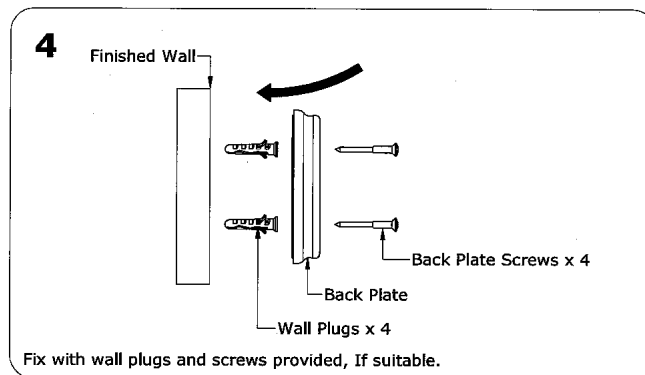
The Georgian Bathroom Collection Installation & User Guide



BEFORE PROCEEDING TO STAGE 2 PLEASE FLUSH THE PLUMBING SYSTEM TO REMOVE PLUMBING RESIDUES PRIOR TO FITTING THE SHOWER.



INSTALLATION INSTRUCTIONS



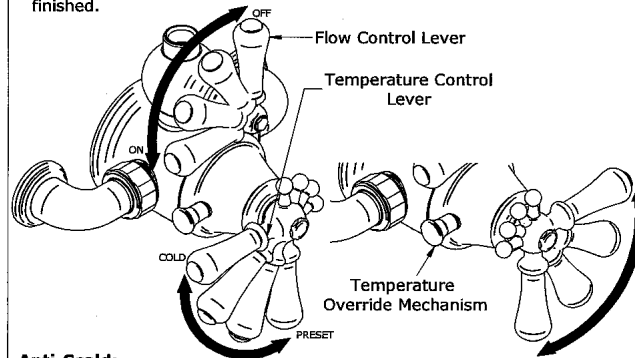
INSTALLATION INSTRUCTIONS

Before Use

- Carefully check the complete installation for leaks.
- If further building work is to be carried out in the vicinity, cover the bathroom product with a plastic bag to avoid damaging the finish.

Operation

- Rotate the Flow Control Lever/Crosshead anti-clockwise a quarter turn to turn ON the shower.
- The thermostatic cartridge has been set to give a temperature of 100°F (38°C), this is when the Temperature Control Lever is set in the vertical position/or the 'dot' on the crosshead boss is at the top.
- A Cold shower can be achieved by rotating the lever/crosshead clockwise.
- A Hotter shower can be achieved by pulling out the Temperature Override Mechanism and rotating the lever/crosshead in an anti-clockwise direction, up to a maximum of 118°F (48°C).
- Please return the Temperature Control Lever to its pre-set position when finished.

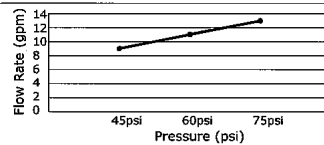


Anti-Scald:

The thermostatic cartridge will automatically shut down completely on failure of either the hot or cold supply. This is especially important if your shower is to be used by children or the elderly. The thermostatic cartridge will reactivate when the supply failure has been corrected.

Cartridge Temperature:

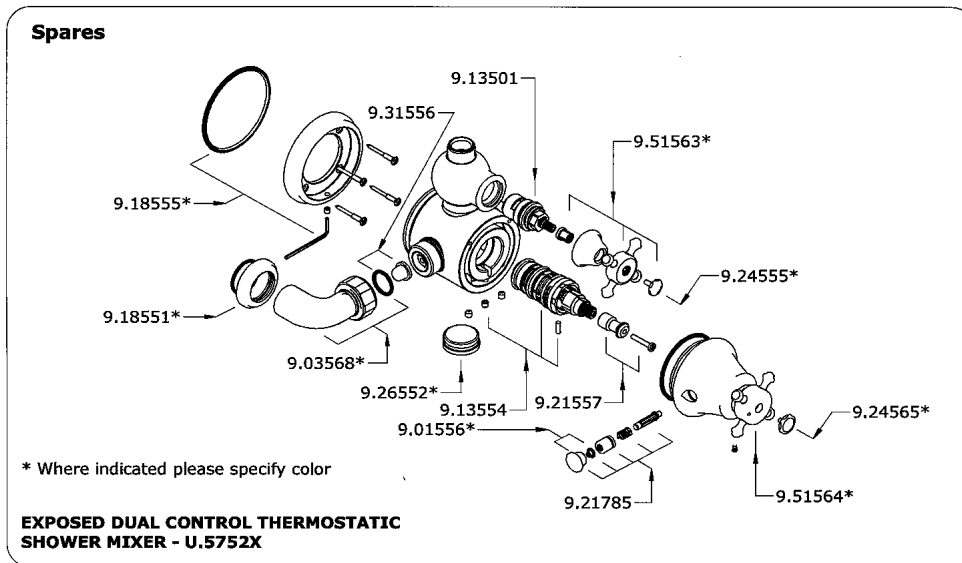
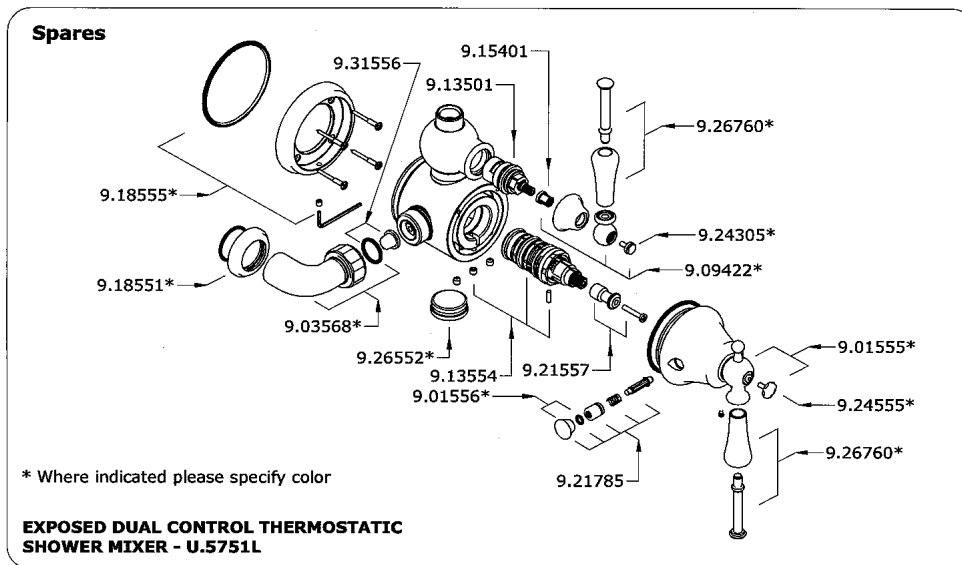
If shower temperatures different to the pre-set are required, the cartridge can be adjusted using the procedure in Section 1 of the Troubleshooting Guide.



Cartridge Performance Data For Thermostatic Unit Only

psi	gpm
45	9.2
60	11
75	12.9

INSTALLATION INSTRUCTIONS



INSTALLATION INSTRUCTIONS

The Georgian Bathroom Collection Installation & User Guide

Care & Maintenance

Wipe down after use to avoid water spotting and mineral build up.

Occasional cleaning with warm soapy water, followed by a polish with a soft cloth is all that is required to keep the plated finish in good condition.

Do not use proprietary abrasive liquids, powders, or pads to clean the shower. Do not use any products with ammonia bleach or limescale remover. You will damage the plated finish and void your guarantee.

ROHL WARRANTY POLICY

All products supplied by ROHL carry warranties against manufacturing defects.

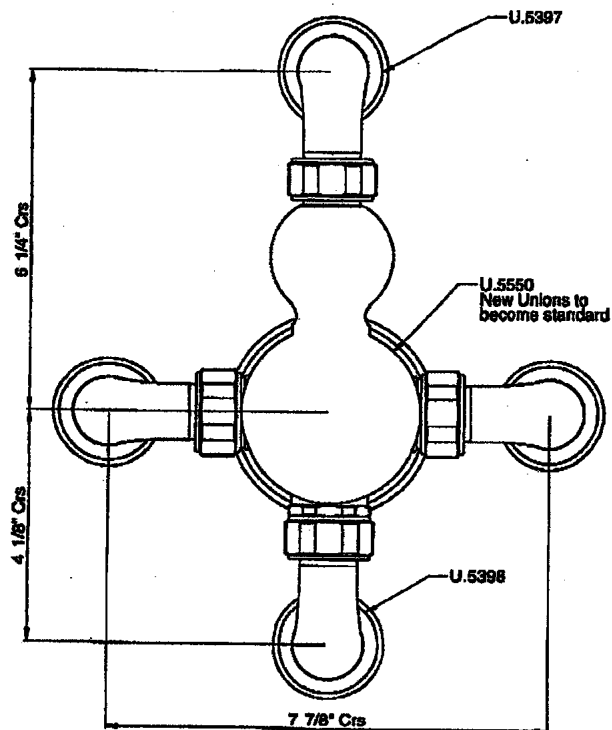
Perrin & Rowe products carry a Limited Lifetime Warranty.

ROHL LLC will provide free of charge, as its options, replacement part(s) or product (or a comparable alternative product) to replace those which have proven defective in materials or workmanship.

For full ROHL LLC WARRANTY please contact ROHL or visit www.rohlhome.com

INSTALLATION INSTRUCTIONS

**CENTER TO CENTER HOT AND COLD
AND TOP AND BOTTOM UNIONS**



All connections are 3/4" NPT female,
for a threaded stub protruding from wall