



## PERRIN & ROWE® WALL MOUNT 3-HOLE TUBULAR SPOUT TUB SET

Perrin & Rowe® Bath

**U.3332X/TO** (Cross Handles)

### FEATURES

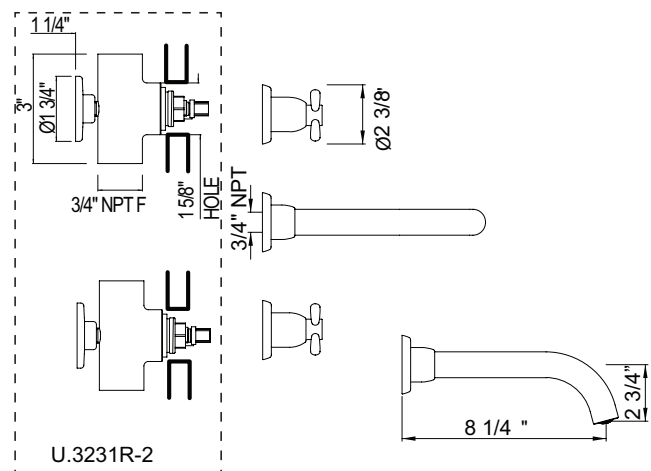
- Must order separate trim and U.3231R rough valve to complete
- 3/4" female NPT wall valves
- 3/4" female NPT spout connection
- 8 1/4" spout reach
- Fixed spout
- 1/4-turn ceramic disc control cartridges
- 16-20 GPM
- Brass construction
- 1 1/4" extension kit is U.3243, must order two pieces to extend both hot and cold valves

### COLORS/FINISHES

- Polished Chrome
- Polished Nickel
- Satin Nickel
- English Gold\*
- Unlacquered Brass\*\*

### WARRANTY

- Limited Lifetime
- (\*)5-Year Limited Warranty
- (\*\*) No Warranty



## INSTALLATION INSTRUCTIONS



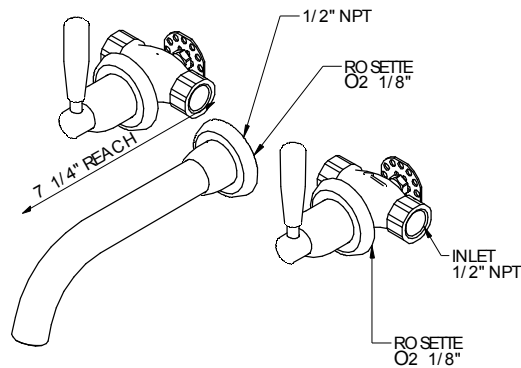
### The Transitional Bathroom Collection

#### Installation & User Guide

#### 3 HOLE WALL MOUNTED SETS AND WALL VALVES

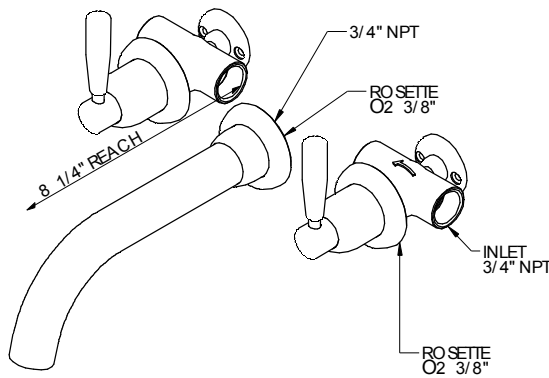
##### LAV SETS

- U.3320 (SPOUT)
- U.3321LS
- U.3322X
- U.3036TLS (LEVER TRIM)
- U.3037X (X-TOP TRIM)



##### TUB SETS

- U.3330 (SPOUT)
- U.3331LS
- U.3332X



Temp Range:  
Min 34°F  
Max 185°F

Recommended  
Working Pressure:  
Min 15 psi  
Max 75 psi

Ideal performance obtained with equal hot & cold pressures.

## INSTALLATION INSTRUCTIONS

### The Transitional Bathroom Collection Installation & User Guide

Congratulations on the purchase of your Perrin & Rowe bathroom product. Correctly installed and with sensible care, this product will give you many years of trouble free service.

#### IMPORTANT INFORMATION

Before you proceed... We recommend you engage the services of a registered plumber to install this product.

In addition to the guide below it is essential that the written information overleaf is carefully read and understood.

Flush the plumbing system before installation.

MIN 2 1/8"  
MAX 2 3/4"

O1 3/4"

3"

O1 1/2" Hole

1/2" NPT

Rough

O1 1/2" Hole

1/2" NPT

• U.3320 • U.3321LS • U.3322X  
WALL LAV SETS

- Follow placement dimensions supplied for installation.
- When installing products make sure allowance is made for tiles etc.
- Cavity should be sufficient to allow for servicing of valves.
- Screw 1/2"NPT spout onto suitable shank using thread sealing materials sparingly.
- Push rosette back to wall surface.

Concealed Wall Valve  
Ensure the handle is vertical when the valve is in the 'off' position.

- Assemble trim to rough ensuring handle is aligned correctly. If it is not, remove and turn a few splines until correct alignment can be achieved.

Special Note for Installing a Pair of Lever Wall Valves

No Groove

LEFT VALVE

RIGHT VALVE

Groove

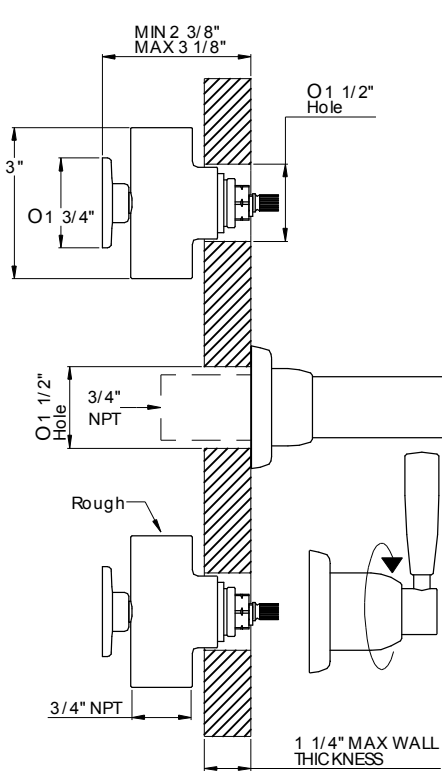
CLOSED

OPEN

OPERATION

- This tap is fitted with quarter-turn ceramic disc valve units. Water flow from off to fully on is achieved by rotating the handles a quarter-turn.
- Ceramic disc valves are available opening in a clockwise or anti-clockwise direction. Should the handle of an installed tap operate in the wrong direction, this can be remedied by changing the ceramic disc valve to the other version.

## INSTALLATION INSTRUCTIONS



MIN 2 3/8"  
MAX 3 1/8"

O1 1/2"  
Hole

3"

O1 3/4"

O1 1/2"  
Hole

3/4"  
NPT

Rough

3/4" NPT

1 1/4" MAX WALL THICKNESS

• U.3330 • U.3331LS • U.3332X  
WALL TUB SETS

- Follow placement dimensions supplied for installation.
- When installing products make sure allowance is made for tiles etc.
- Cavity should be sufficient to allow for servicing of valves.
- Screw 3/4"NPT spout onto suitable shank using thread sealing materials sparingly.
- Push rosette back to wall surface.

**Concealed Wall Valve**  
Ensure the handle is vertical when the valve is in the 'off' position.

- Assemble trim to rough ensuring handle is aligned correctly. If it is not, remove and turn a few splines until correct alignment can be achieved.

### BEFORE USE

- Carefully check the installation for leaks.
- If further building work is to be carried out in the vicinity, cover the tap with a plastic bag to avoid damaging the finish.
- Please ensure that the installation complies with the local plumbing codes.

### CARE & MAINTENANCE

- Occasional cleaning with warm soapy water, followed by a polish with a soft cloth is all that is required to keep the plated finish in good condition.
- If you wish to occasionally polish your tap and it has a Chrome, Nickel or Pewter finish, we recommend a gentle metal cleaner such as AUTOSOL metal polish, which is available from hardware and automotive parts stores.
- Do not use any cleaners on Gold or English Bronze taps.
- Do not use proprietary abrasive liquids, powders, or pads to clean the product. You will damage the plated finish and void your warranty.

## INSTALLATION INSTRUCTIONS

### ROHL WARRANTY POLICY

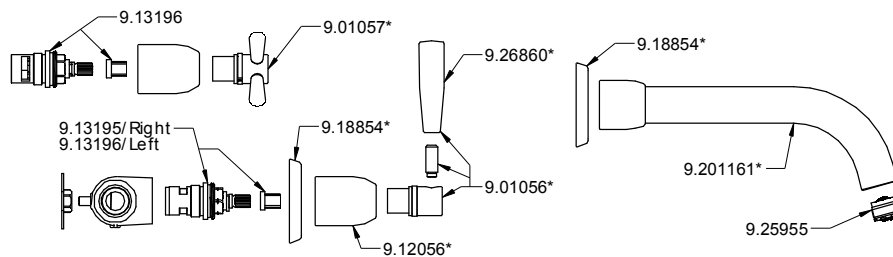
All products supplied by ROHL carry warranties against manufacturing defects.

Perin & Rowe products carry a Limited Lifetime Warranty.

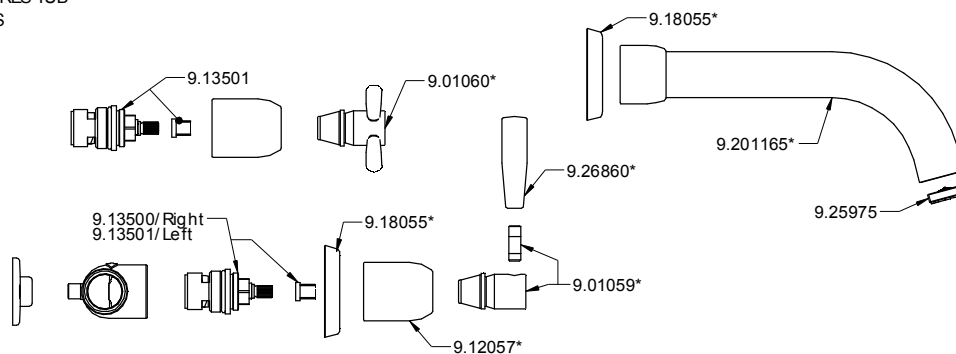
ROHL LLC will provide free of charge, as its options, replacement part(s) or product (or a comparable alternative product) to replace those which have proven defective in materials or workmanship.

For full ROHL LLC WARRANTY please contact ROHL or visit [www.rohlhome.com](http://www.rohlhome.com)

### SPARES LAV SETS



### SPARES TUB SETS



\* Where indicated please specify color

### SPARE PARTS & SERVICE

**ROHL**  
Authentic Luxury for Kitchen and Bath™

3 Parker  
Irvine  
CA 92618  
(714) 557-1933

[www.rohlhome.com](http://www.rohlhome.com)

Perin & Rowe products are manufactured in England using quality materials, the latest technology and built to the highest standards.

We would like to thank you for purchasing this Perin & Rowe product and invite you to view the comprehensive range of Perin & Rowe tapware, shower fittings, bathroom accessories, soap dispensers and bathroomware.

Please contact us to receive our latest product catalogues or view them online at [www.rohlhome.com](http://www.rohlhome.com)