



## UNIVERSAL 1/2" THERMOSTATIC ROUGH VALVE WITH INTEGRATED TWO OUTLET DIVERTER

ROHL Spa Shower

### R1052BD

#### FEATURES

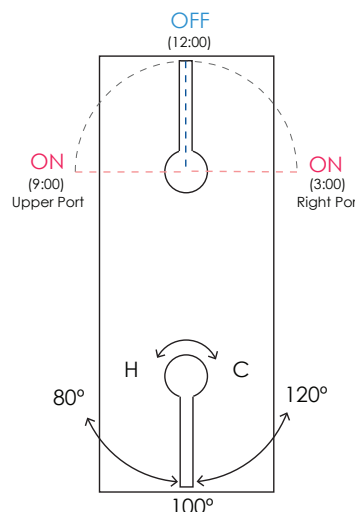
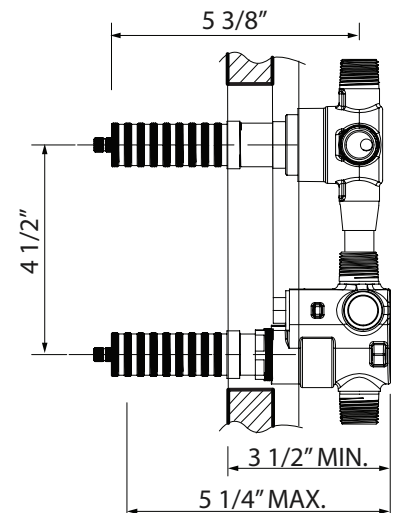
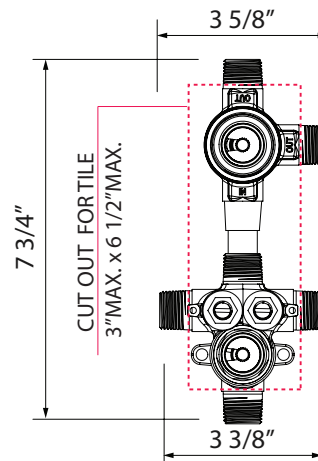
- Top handle diverts the water two ways
- Degree of diverter engagement allows flow rate adjustment. CALGreen compliant. CEC compliant Dedicated Diverter.
- Service stops included
- Primary screens at the cartridge
- Temperature control with integrated two outlet diverter; factory setting at 100°F
- Cast brass construction
- Bottom outlet for tub filler only. A separate flow control valve and/or trim required for this application.
- Back of valve to finished wall 3 1/2" min., 5 1/4" max.
- Flow rate 6.7 GPM at 60 PSI
- 1/2" male inlets, 2 x 1/2" male outlets
- Complete with mud guard for installation
- If PEX is utilized, oversize the supply line to 3/4" for full flow capacity
- Bottom control sets temperature
- Extension kit included, may be cut to length required
- Must order trim to complete

#### COLOR/FINISH

- Rough only

#### WARRANTY

- Limited Lifetime



The R1052BD valve is Calgreen compatible  
 The operation is dedicated and only one outlet will operate at a time.  
 There are 2 on positions and 1 off positions.  
 It is suggested the 12 O'clock position be the off position.

Installer will need to set:

- The on positions will then be 9:00 and 3:00
- The off positions will be 12:00

- Turn counterclockwise for HOT
- Turn clockwise for COLD