



## UNIVERSAL 1/2" THERMOSTATIC ROUGH VALVE WITH INTEGRATED VOLUME CONTROL

ROHL Spa Shower

**R1051BV**

### FEATURES

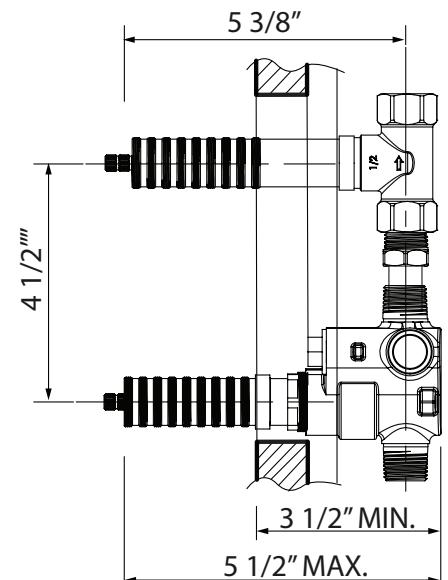
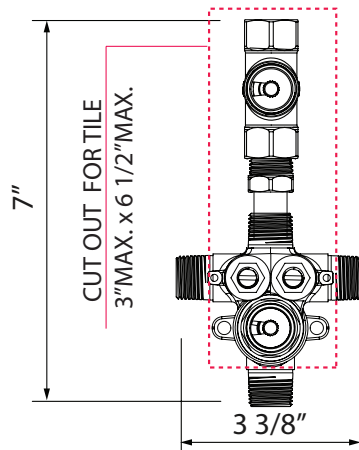
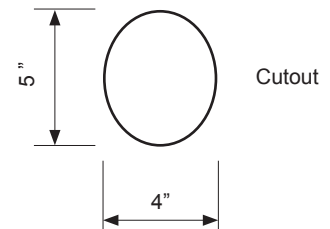
- Top handle on/off volume control
- Bottom control sets temperature
- Service stops included
- Primary screens at the cartridge. Remove cartridge to flush system.
- Cast brass construction
- Bottom outlet for tub filler only A separate flow control valve and/or trim required for this application.
- Back of valve to finished wall 3 1/2" min., 5 1/2" max.
- Flow rate 6.7 GPM at 60 PSI
- 1/2" inlets, 1/2" female outlet standard on top
- Complete with mud guard for installation
- If PEX is utilized, oversize the supply line to 3/4" for full flow capacity
- Extension kit included, may be cut to length required
- Must order trim to complete

### COLOR/FINISH

- Rough only

### WARRANTY

- Limited Lifetime



## INSTALLATION INSTRUCTIONS

### INSTALLATION INSTRUCTIONS FOR

1/2" Thermostatic Valve w/ Volume control

PART# R1051BD

**For use with shower heads rated at 1.3 gpm - 4.9 L/min or higher**

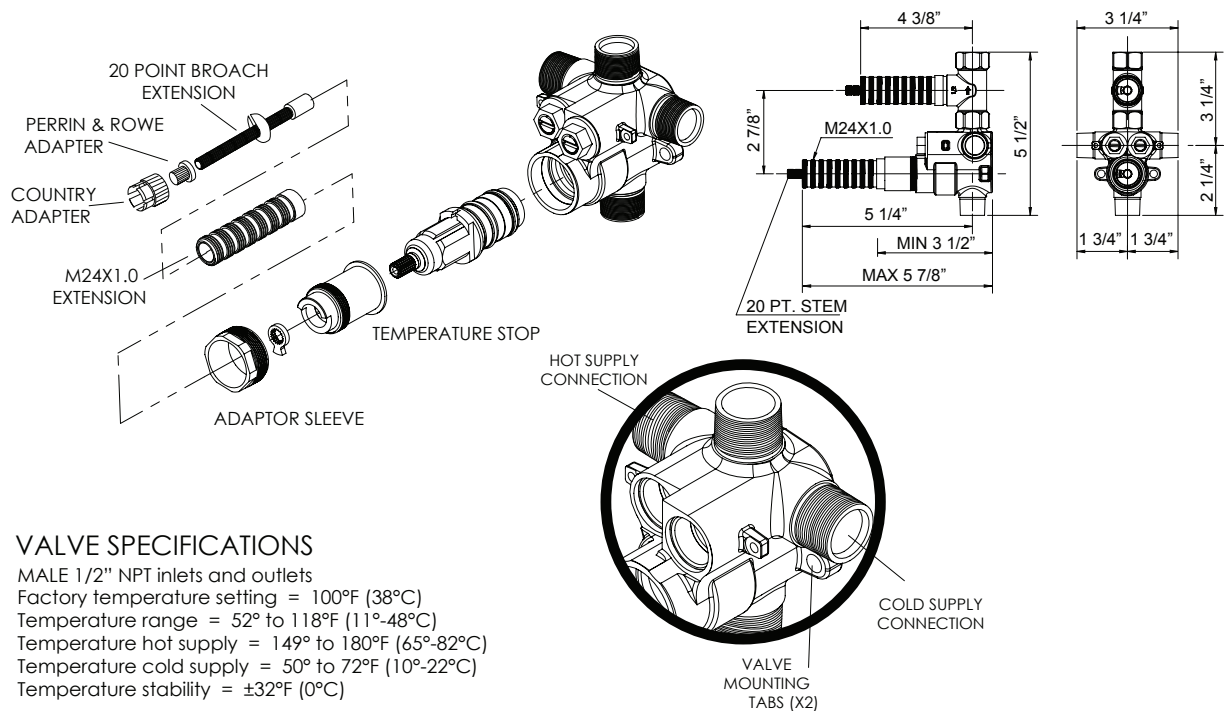
### GENERAL CHARACTERISTICS

**WE RECOMMEND THAT ALL PLUMBING PRODUCTS BE INSTALLED BY A LICENSED PROFESSIONAL**

**IMPORTANT:** Thoroughly read instructions before installation.

The valve without diverter is designed with two outlets for ease of installation, but are not intended to be used concurrently with each other. Using both outlets will reduce the performance of the valve.

**WARNING:** IF THIS VALVE IS INSTALLED UPSIDE-DOWN A REVERSE CARTRIDGE IS NOT AVAILABLE. CONSEQUENTLY, VALVE MUST BE REMOVED AND REINSTALLED RIGHT-SIDE UP.



### VALVE SPECIFICATIONS

MALE 1/2" NPT inlets and outlets  
 Factory temperature setting = 100°F (38°C)  
 Temperature range = 52° to 118°F (11°-48°C)  
 Temperature hot supply = 149° to 180°F (65°-82°C)  
 Temperature cold supply = 50° to 72°F (10°-22°C)  
 Temperature stability = ±32°F (0°C)

Recommended supply pressure = 20 to 80 PSI (1,38-5,52 bar)  
 Recommended hot water supply temperature = 120° to 140°F (48°-60°C)

Operating pressures between hot and cold supplies should vary no more than 30 PSI (2,07 bar).  
 If water pressure exceeds 70 PSI (4,83 bar), install a pressure reducing valve.

Ensure the mixing valve is in compliance with local plumbing codes when setting the temperature on the water heater.

It is the installer's responsibility to verify correct temperature setting to prevent any risk of scalding prior to consumer use.

## INSTALLATION INSTRUCTIONS

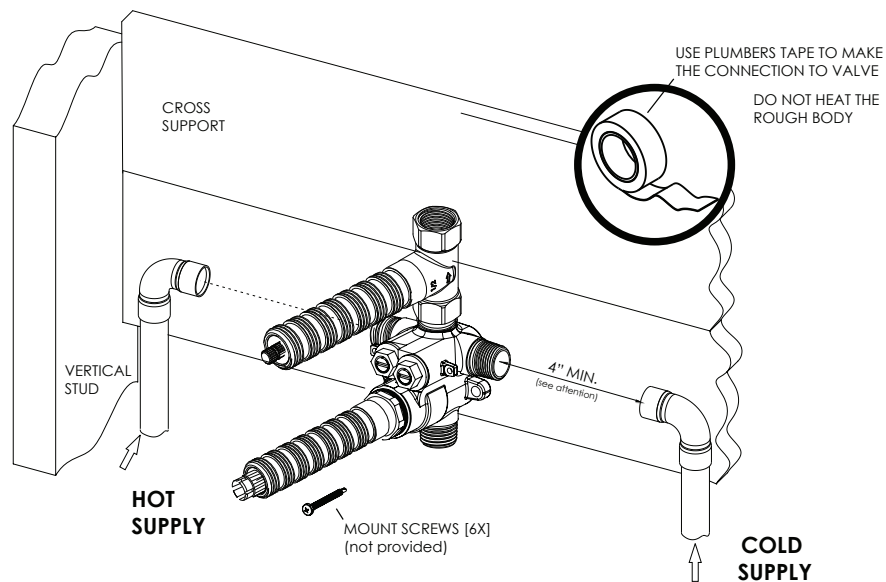
### ROUGH IN VALVE TO FRAME

Once the desired location has been determined, install a cross support beam to wall studs.

Ensure to level the valve and secure to the cross support. The valve should be level horizontally, vertically, and parallel to finished wall.

Placement of valve and cross support within the wall shall be determined by the MIN/MAX limits shown on MUDGUARD. For complete detailed valve dimensions see ROUGH-IN DIMENSIONS.

- R1047BV is shown



### WATER CONNECTIONS

Pre-assemble fittings before attaching to valve. Attach the "COLD" INLET to COLD SUPPLY and "HOT" INLET to HOT SUPPLY.

**IMPORTANT:** Thoroughly flush supply lines to remove any debris prior to installation to prevent damage and malfunction of thermostatic cartridge.

**ATTENTION:** Use plumbers tape or thread sealant to all threaded port joints and attach to valve. All soldering/brazing of fittings shall be performed a minimum of 4" away from valve.

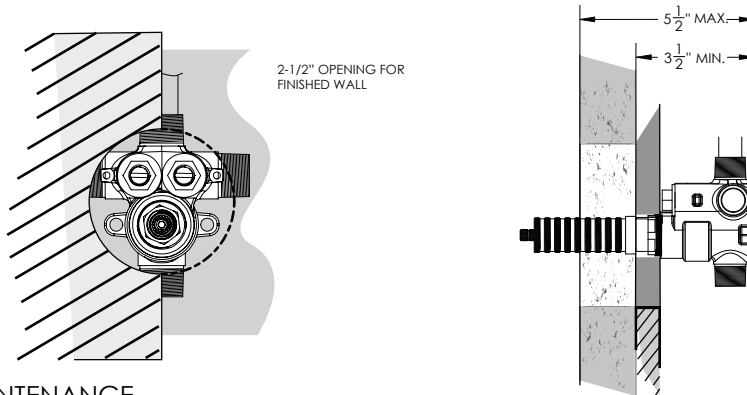
**WARNING:** DO NOT APPLY HEAT DIRECTLY TO THE VALVE AS THIS MAY DAMAGE RUBBER & PLASTIC SEALS AND WILL VOID WARRANTY.

Turn on water supplies to valve and check for leaks.

## INSTALLATION INSTRUCTIONS

### ROUGH IN DIMENSIONS

(All dimensions shown are to the nearest 1/16")



### MAINTENANCE

#### THERMOSTATIC CARTRIDGE

Carefully remove the trim and plate and place in a safe location for the time being.

Use a flat head screwdriver to shut off the water supply to the cartridge by turning the temporary shutoff screws clockwise until screw stops. Ensure to close both the hot and cold sides of the water supplies.

Remove extensions to gain access to the cartridge nut. Unscrew the cartridge nut using an 11/16" plumbers wrench or adjustable wrench, if possible.

Gently pull the cartridge out of the housing body (rotating cartridge while pulling may assist in removing).

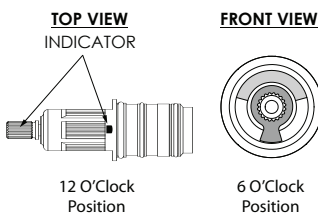
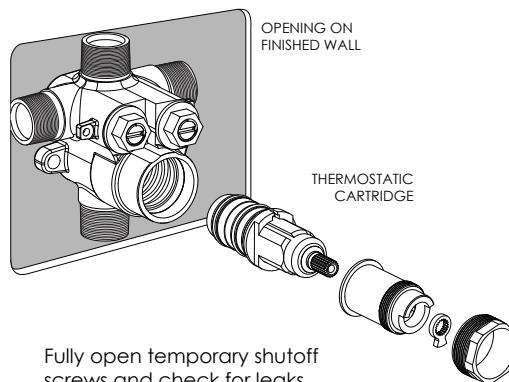
Clean the cartridge by rinsing it under running water to remove any possible debris.

Wipe cartridge and housing seat clean and apply a thin film of NON-PETROLEUM GREASE to o-rings.

**NOTE: Do NOT use oil based lubricants as this may cause the o-rings to dry out over time and crack.**

Carefully install the cartridge back into the housing body and tighten nut to 10 ft-lbs (13,56 nm).

**ATTENTION:** Ensure the INDICATOR NOTCH on cartridge and GREEN LINE on stem are orientated at the 12 O'Clock position. The Temperature stop must be in the 6 O'Clock position.



Fully open temporary shutoff screws and check for leaks.

Check operation of flow. If improved, proceed to reinstall extensions, trim & plate; otherwise, CHECK VALVES.

## INSTALLATION INSTRUCTIONS

### MAINTENANCE (continued)

#### CHECK VALVES

Shut off water supply at main or upstream from valve body.

Remove check valve with a 5/8" (16mm) socket wrench from the body.

Clean check valve by rinsing it under running water to remove any possible debris.

Wipe check valve and housing seat clean and apply a thin film of NON-PETROLEUM GREASE to o-rings.

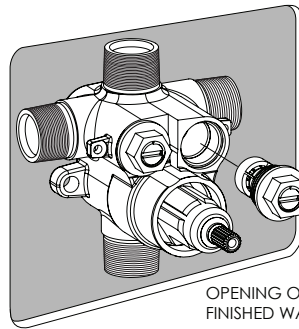
**NOTE: Do NOT use oil based lubricants as this may cause o-rings to dry out over time and crack.**

Tighten check valves to 10 ft-lbs (13,56 nm).

Reinstate water supply from upstream and check for leaks.

Check operation of flow. If improved, proceed to reinstall extensions, trim, & plate; otherwise, see PARTS BREAKOUT for any replacement parts needed.

PART# R1051BV



CHECK VALVE (2X)

OPENING ON FINISHED WALL

ITEM NO.	PART NUMBER	DESCRIPTION	QTY.
1	10257	CARTRIDGE, VALVE 1/2"G W/ M24X1.0 & M4 20PT COLD	1
2	10332	20 POINT BROACH EXTENSION	2
3	10333	C-WASHER STABILIZER	2
4	10334	M24X1.0 EXTENSION	2
5	11573	CARTRIDGE VALVE, MINI THERM, THERMOSTAR S18 TYP 2	1
6	11197	CHECK VALVE, 1/2" THERMO	2
7	11318	RETAINER NUT FOR 1/2" THERM CARTRIDGE	1
8	11319	CARTRIDGE RETAINER SLEEVE, 1/2" THERM	1
9	11320	SAFETY AND MECHANICAL STOP, 1/2" THERM	1
10	2-130	SHUTOFF NUT, 1/2" THERMO	2
11	2-179	SUB ASSY. 1/2" THERM W/ 1/2" SHUT OFF VALVE	1

