



VINCENT EXPOSED FLOOR MOUNT TUB FILLER WITH HANDSHOWER AND FLOOR PILLAR LEGS OR SUPPLY UNIONS

Italian Bath Vincent

AKIT3001NLV

FEATURES

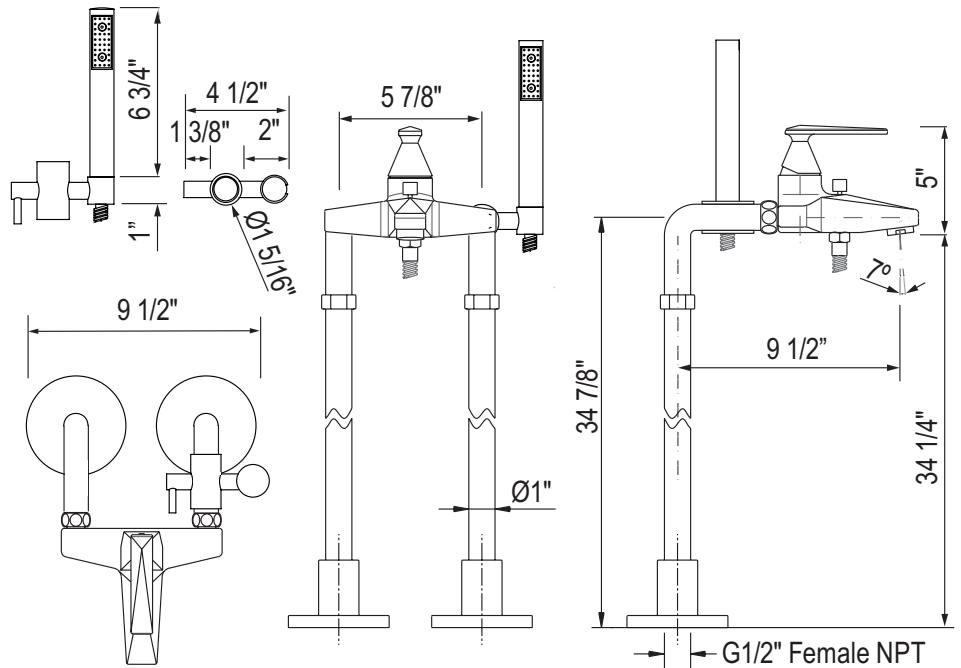
- Floor mount exposed single lever tub filler with handshower holder bracket and single-function brass handshower
- Single lever control
- Ceramic disc cartridge
- 5.8 GPM at 60 PSI
- Brass construction
- Maximum male stub out 9/16" for floor legs
- Floor legs cannot be cut down
- 59" length flexible metal hose
- Kit includes ZA386 floor legs
- 2" Straight union extensions available, order part # C7205EXT+FINISH. Must order two for a set.

COLORS/FINISHES

- Polished Chrome
- Polished Nickel
- Satin Nickel

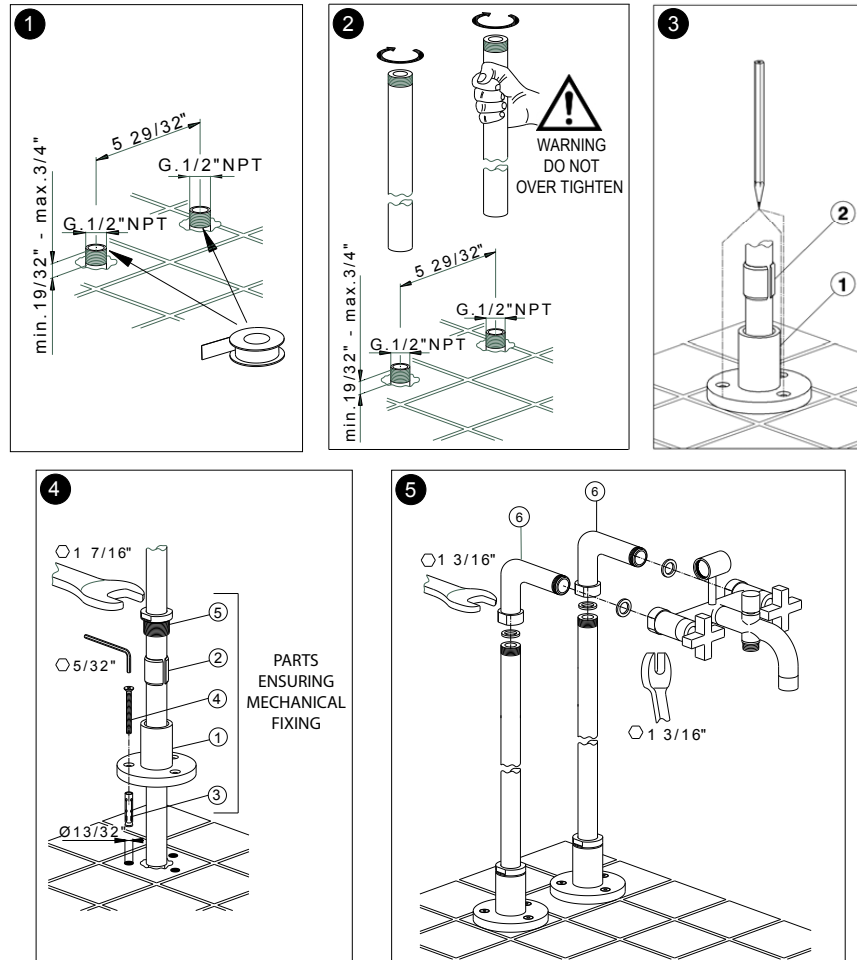
WARRANTY

- Limited Lifetime



Installation Instructions

ZA386 FLOOR LEGS - ASSEMBLY INSTRUCTIONS



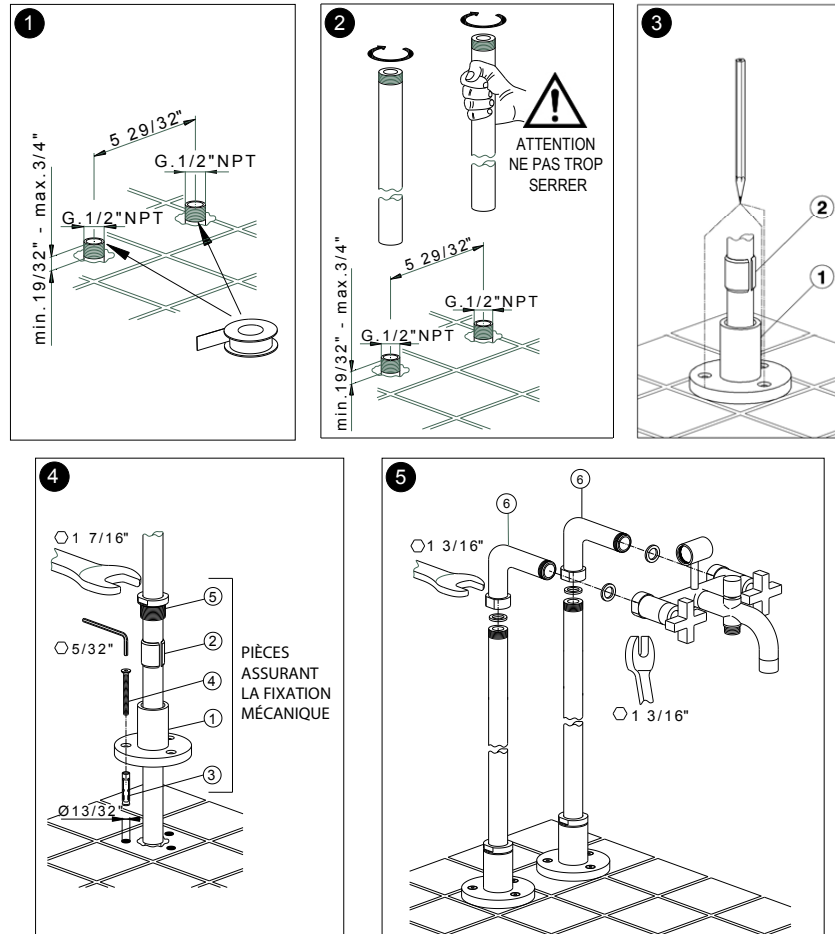
Installation requirements: 2 x 1/2" NPT male stub outs at 5 29/32" center

Please note: if installing with an Italian Bath exposed tub filler you must install a set of adaptors C5574EXT

- 1 Apply Teflon tape to the male connections.
- 2 Hand tighten, then turn with a strap wrench $\frac{1}{2}$ to $\frac{3}{4}$ turn to make a seal.
WARNING: Do not over tighten. Over tightening could cause the brass to crack.
Test for leaks before installing floor escutcheons.
Please note that the threaded connection only ensures hydraulic water tightness, mechanical fixing of floor legs is ensured by the whole part assembly of components listed as 1-2-3-4-5 in picture 4.
- 3 Slide on base escutcheons (1) and the cut bushings (2).
Mark the screw holes for drilling.
- 4 Drill a hole using a $\frac{13}{32}$ " drill and install floor anchors (3).
Slide the base escutcheons (1) to the floor, align with holes and tighten Allen screws (4) using a $\frac{5}{32}$ " Allen wrench.
Insert the cut bushings (2) into the base escutcheons (1) and slide on the threaded ring (5). Then tighten using a $\frac{1}{16}$ " wrench.
- 5 Install elbow unions (6) to pillar legs, using a $\frac{1}{16}$ " wrench, ensuring that all washers create a seal.
Install tub faucet to elbow unions using a $\frac{1}{16}$ " wrench, ensuring that all washers create a seal.

Installation Instructions

ZA386 COLONNES DE PLANCHER – INSTRUCTIONS DE MONTAGE



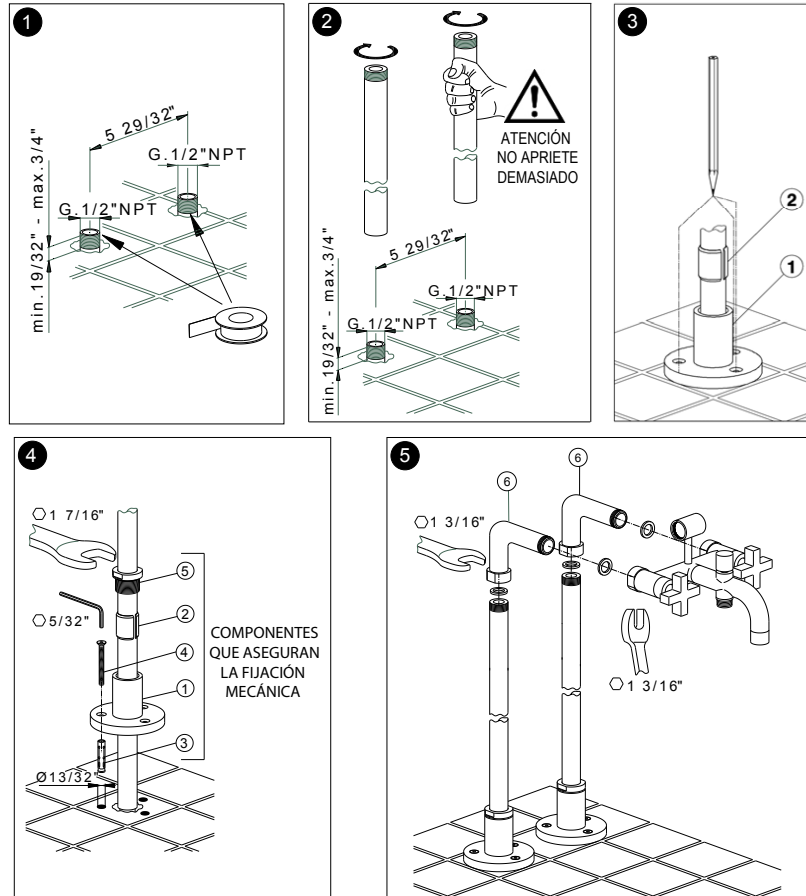
Exigences d'installation: 2 embouts mâles 1/2" NPT entraxe 5 29/32"

Noter SVP: s'il s'agit d'une installation avec une robinetterie de baignoire apparente Italian Bath, vous devez installer un ensemble d'adaptateurs C5574EXT.

- 1 Appliquer du ruban téflon sur les raccords mâles.
- 2 Serrer à la main, puis tourner à l'aide d'une clé à sangle de 1/2 à 3/4 de tour pour sceller.
ATTENTION: ne pas trop serrer. Un serrage excessif pourrait provoquer une fissure du laiton. Vérifiez qu'il n'y ait aucune fuite avant d'installer les supports de fixation au sol.
Noter SVP que la connexion filetée assure seulement l'étanchéité hydraulique, alors la fixation mécanique des colonnes au sol est assurée par le montage de l'ensemble des composants indiqués 1-2-3-4-5 dans l'image 4.
- 3 Faire glisser les supports de fixation au sol (1) et les bagues coupées (2).
Repérer les trous de vis pour le perçage.
- 4 Percer un trou à l'aide d'une pointe de 13/32" et installer les chevilles de fixation au sol (3).
Faire glisser les supports de fixation (1) sur le sol, les aligner avec les trous et serrez les vis Allen (4) à l'aide d'une clé de 5/32".
Insérer les bagues coupées (2) dans le supports de fixation (1) et faire glisser la bague filetée (5).
Serrez-la ensuite à l'aide d'une clé de 1 7/16 ".
- 5 Installer les coudes (6) sur les colonnes, à l'aide d'une clé de 1 3/16",
en s'assurant que tous les joints fassent bien l'étanchéité.
Installer la robinetterie de baignoire sur les coudes à l'aide d'une clé 1 3/16",
en s'assurant que tous les joints fassent bien étanchéité.

Installation Instructions

ZA386 COLUMNAS DE SUELO - INSTRUCCIONES DE MONTAJE



Requisitos de instalación: dos racores macho de 1/2" NPT con distancia entre los centros de 5 29/32"
Tenga en cuenta que si lo instala con una grifería de la colección Italian Bath, debe instalar un juego de adaptadores C5574EXT.

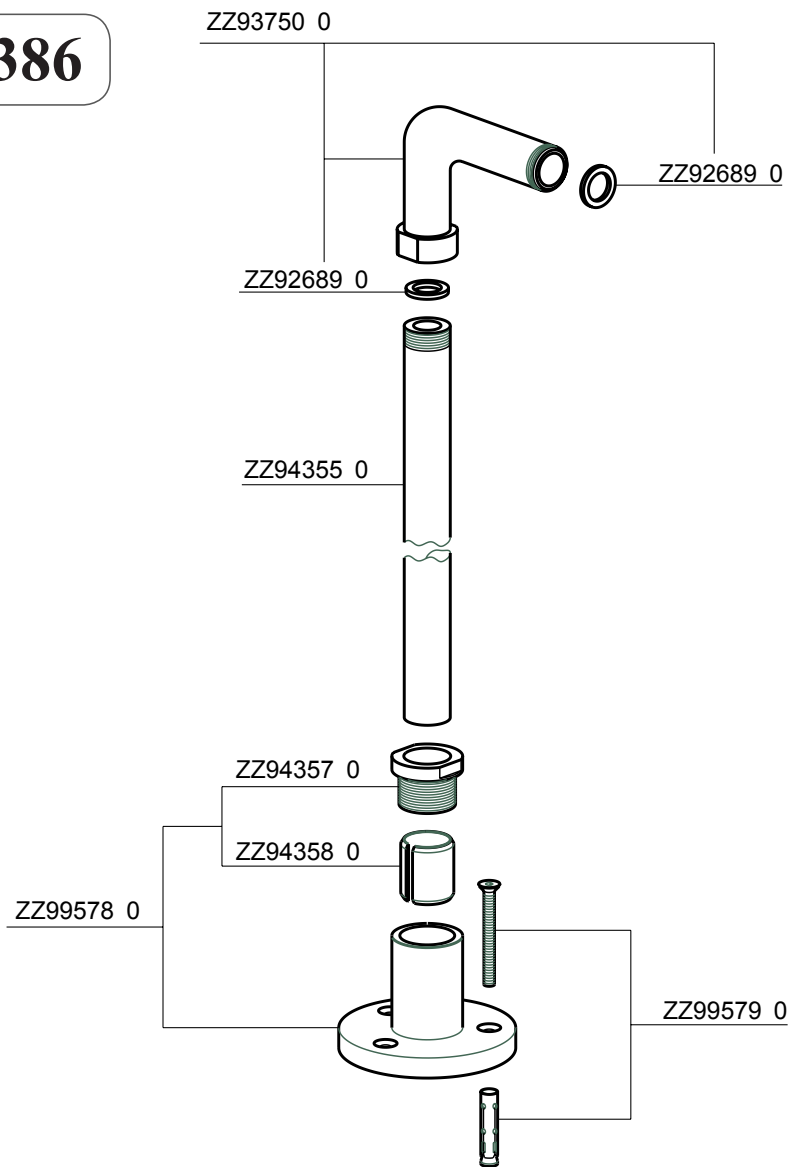
- 1 Aplique cinta de Teflon a la conexión macho.
- 2 Apriete a mano, luego gire de ½ a ¾ vuelta con una llave de correa para sellar.
ADVERTENCIA: No apriete demasiado. Si se aprieta demasiado puede romperse el latón.
Pruebe las fugas antes de instalar los embellecedores del suelo.
 Tenga en cuenta que la conexión roscada solo garantiza la estanqueidad hidráulica del agua, y tenga en cuenta que la fijación mecánica de las columnas de suelo está garantizada por el ensamblaje complete de la pieza con los componentes 1-2-3-4-5 en la imagen 4.
- 3 Deslice sobre los embellecedores de fijación (1) y los casquillos (2).
 Marque los orificios de los tornillos para taladrar.
- 4 Taladre un agujero con una broca de 13/32" y instale la fijación de suelo (3).
 Deslice los embellecedores de fijación (1) al suelo, alinéelos con los agujeros y apriete los tornillos Allen (4) con una llave Allen de 5/32".
 Inserte los casquillos (2) en los embellecedores de fijación (1) y deslice sobre la tuerca (5).
 Luego apriete usando una llave 1 7/16".
- 5 Instale las uniones (6) a las columnas de suelo, usando una llave de 1 3/16", asegurándose de que todas las guarniciones creen un sello estanco.
 Instale la grifería de bañera en las uniones usando una llave de 1 3/16", asegurándose de que todas las guarniciones creen un sello estanco.

Installation Instructions

Please contact the local ROHL retailer or showroom where you purchased this product for all warranty related claims.

Cod.0101234000 Ed.12.17

ZA386



WARNING: Please leave these instructions with the user. Do not discard them.
ATTENTION: Remettre ces instructions à l'utilisateur et les conserver.
ATENCION: Entregar estas instrucciones al usuario y conservarlas.

Installation Instructions

ATTENTION

READ THESE INSTRUCTIONS BEFORE INSTALLATION AND USE OF ALL FAUCETS AND WALL VALVES

INSTALLATION and WARRANTY INSTRUCTIONS TECHNICAL INFORMATION

All flexible hoses are designed and manufactured for use with water in exposed locations only. **Do not expose** to household cleaners, chlorine, chloride, hydrochloric acid or other corrosive chemicals.

- All connections with threads M10x1 male must be hand tighten. **Do not over tighten. Over tightening may cause damage to the hose.**

All faucets washers and o-rings are designed and manufactured for use with water. **Do not expose** to household cleaners, chlorine, chloride, hydrochloric acid or other corrosive chemicals.

Faucets are designed for use with the temperatures and pressures listed below:

- minimum cold water supply 50 °F
- maximum hot water supply 145 °F
- minimum pressure 15 psi
- maximum pressure 75 psi
- maximum fixing torque value = 10 lbf.ft.
-

Please note: The recommended best pressure for best performance is between 40 psi and 60 psi. More pressure than 60 psi or less pressure than 40 psi may affect the diverting action in side spray faucets.

- Do not use any Rohl Country/ Nicolazzi faucet with sulphurous water.
- The minimum temperature for all faucets is 50 degrees F. Below 50 degrees F will void the warranty.
- When available, filter systems must be placed between hot and cold supply lines and the faucet. Improper use or non-use of filters may make diverting faucets with hand sprays perform poorly.
- Don't modify faucet and their components
- Use only original spare parts if there are replacements to be ordered.
- Installation must be made by authorized plumbers or installers. Improper installation or diagnosis of problems is not covered by the warranty.
- Yearly maintenance of cleaning and flushing is recommended.

Operation and use of any faucet or wall valve that do not conform to these technical instructions will void the warranty.