

Features

- Drawer fronts with integrated metal and wood handle detail
- Richly textured oak finish
- Top drawers are false front
- Bottom drawers are plumbing drawers
- Open storage shelf

Materials & Construction

- Solid wood and veneer construction
- Full plywood back panel, no cutout
- Dovetailed drawers
- Blum undermount full extension slow close slides
- Durable, moisture resistant polyurethane finish
- Adjustable leveling feet

Options

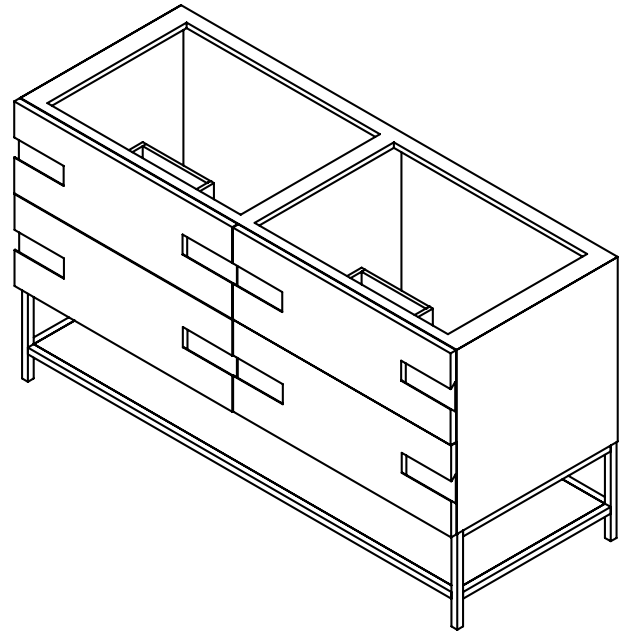
- Available in:
CVSE6020169, Natural Gray paired with Brushed Pewter
CVSE6021587, Matte Black Oak paired with Aged Brass
- Engineered Stone Tops:
TA60UCO93-8CS3
TA60UCO95-8CS3
TA60UCO96-8CS3
TA60UCO97-8CS3
TA60UCO98-8CS3
TA60UCO99-8CS3
TA60UCO100-8CS3
TA60UCO101-8CS3
- Coordinating mirrors available
- Coordinating linen cabinet available

Dimensions

Width: 59"

Height: 32-7/8"

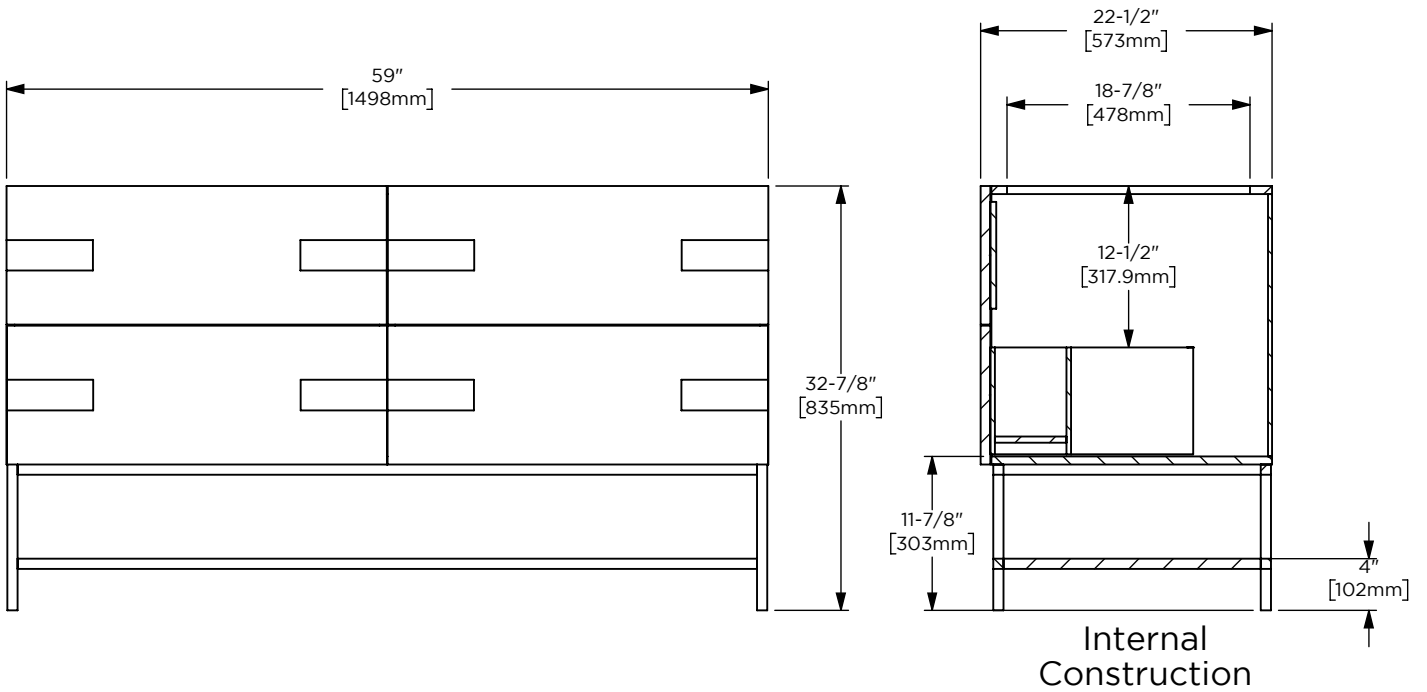
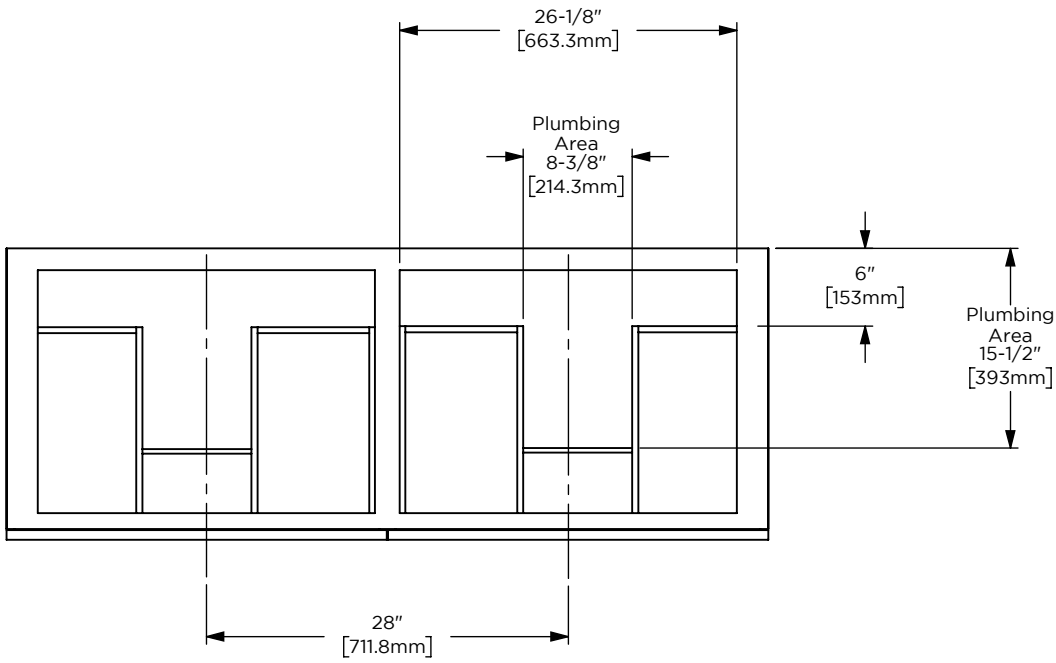
Depth: 22-1/2"



Model Number Key

PRODUCT LINE	CATEGORY	COLLECTION	WIDTH	FINISH OPTIONS	OPTIONS
C = Craft Series	V = Vanity	SE = Sendai	60"	(See above)	(See above)

Sendai 60" Vanity CVSE60



Features

- Silestone Quartz Surface
- Includes Robern Ceramic Lavatory
- Includes installation hardware

Materials & Construction

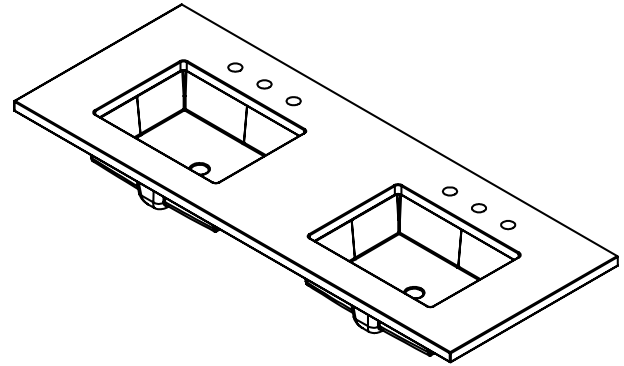
- Pre-drilled for 8" wide spread faucet

Options

- Available finishes:
 - 93, White Zeus Extreme
 - 95, Eternal Marquina
 - 96, Pietra
 - 97, Calypso
 - 98, Eternal Serena
 - 99, Silken Pearl
 - 100, Eternal Calcatta Gold
 - 101, Iconic Black
- Pairs with Craft Series Sendai & Mackey 60" vanities

Dimensions

Width: 60"
 Height: 1-1/8"
 Depth: 23"



Model Number Key

CATEGORY	DEPTH	WIDTH	LAV TYPE	OVERFLOW	COLORS	DASH	FAUCET HOLES	OPTIONS
T = Top	A = 23" Depth Fabricated Top	60"	U = Under Counter	D = Dual/Double Sink (60in Only)	(See above)	-	8 = 3 Holes Drilled (Centered on Lav Location)	(See above)

60" Top TA60UDOXXX-8CS3

