

Features

- 4 frame profiles in 7 finishes
- Quiet close Safeseal® Gasket
- Mirrored interior with 3 adjustable glass shelves
- Non-electric cabinets can be installed with left or right opening
- Includes installation hardware for recess mounting
- Can be recessed, semi-recessed (kit required) or surface mounted (kit required)
- Extra depth storage

Construction

- Satin anodized aluminum body
- 3 mirror design - rear of cabinet and both sides of door
- Blum 130° self-closing hinges
- Safeseal® Gasket with sealed corners on cabinet body
- Adjustable shelving at 2" (51 mm) increments
- Electric Option Cabinet:
 - Standard knock out for 1/2" (13 mm) cable connector
 - Wired internally - Front access serviceability

Codes/Standards Applicable

- Electric Option Models are ETL certified to:
 - UL 962
 - CSA Standard C22.2 No. 68

Dimensions

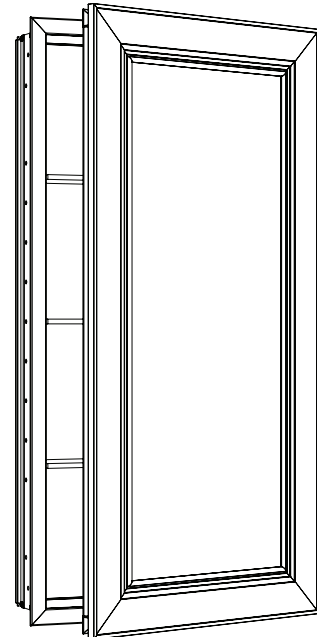
Height: 30-1/16" (764 mm)
Width: 15-3/8" (391 mm)
Maximum Depth: 7-1/8" (181 mm) Surface, 1-3/8" (35 mm) Project from wall when recessed, and 3-1/2" (89 mm) Project from wall when Semi-Recessed.

Options

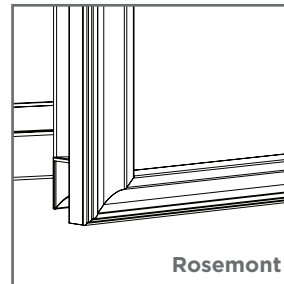
- Left or Right hand hinged
- Electric option
- Other widths / heights / depths available
- All Main Line Framed Cabinets can be paired with Main Line Sconces - Reference when ordering DLFML## or Decorative Glass Sconces - Reference when ordering DLFDG####

Installation Options

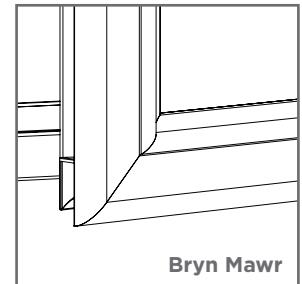
Recessed Mount - Rough Opening - 29-1/4" H x 14-1/2" W x 6" D (743 mm H x 368 mm W x 152 mm D)
Surface Mount - Reference Surface Mount Kit when ordering MSMK30D6P - Plain Mirror Kit
 MSMK30D6## - Decorative Kit
Semi-Recessed Mount - Rough Opening - 29-1/4" H x 14-1/2" W x 4" D (743 mm H x 368 mm W x 102 mm D)
 Reference Surface Mount Kit when ordering MSMK30D6SRP - Plain Mirror Kit
 MSMK30D6SR## - Decorative Kit



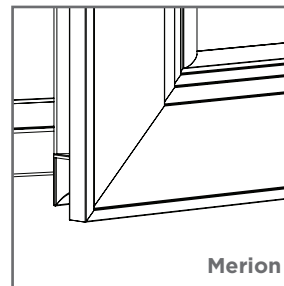
(Merion Option Shown)



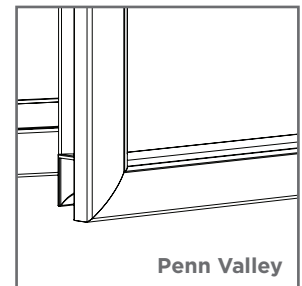
Rosemont



Bryn Mawr



Merion



Penn Valley

See page 2 for frame dimensions.

Model Number Key

Decorative	Cabinet	Width	Height	Depth	Frame Style	Interior Color	Hinge Side and Electric Option	Finish/Color
D	C	16"	30"	D6	RM = Rosemont BM = Bryn Mawr PV = Penn Valley ME = Merion	G = Classic Gray	Blank = Left/Right Non Electric LE = Left with Electric RE = Right with Electric	70 = Satin Nickel 71 = Brushed Nickel 74 = Brushed Black 75 = Brushed Bronze 76 = Chrome 77 = Polished Nickel 79 = White

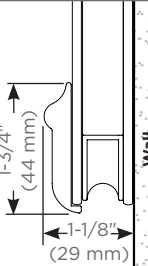
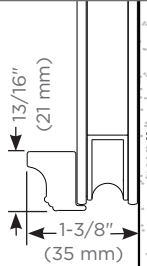
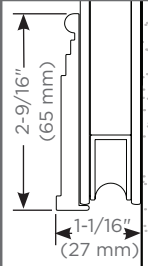
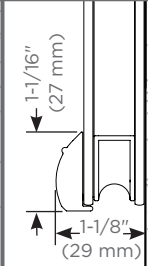
Optional Electrical System

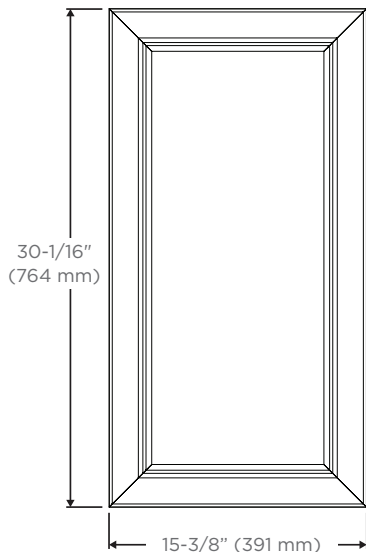
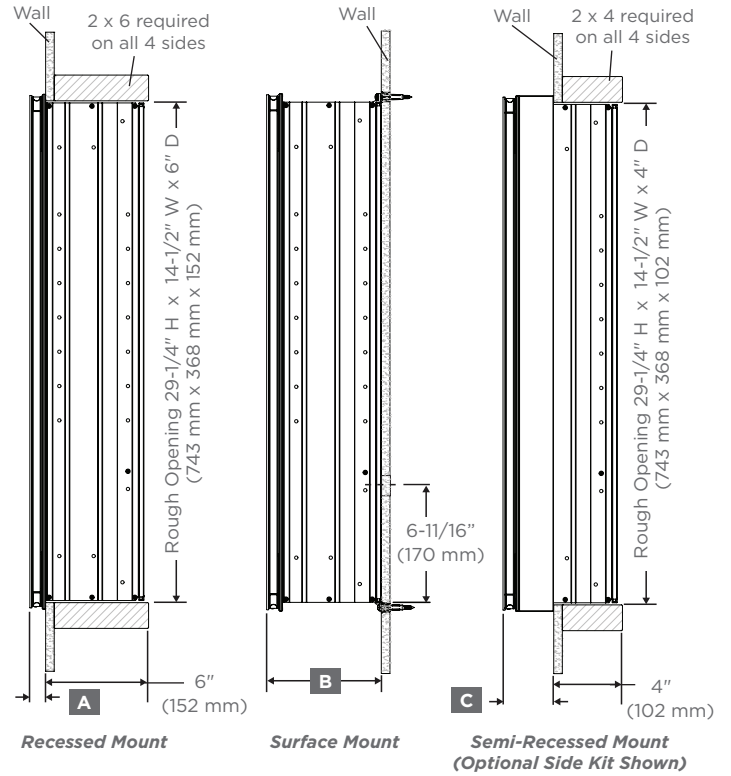
- Includes one 15A 110VAC (2 plugs)
- Field wire location as shown in drawing
- 1/2" conduit (Ø 7/8" actual) electrical knockout location shown below

Optional Accessories

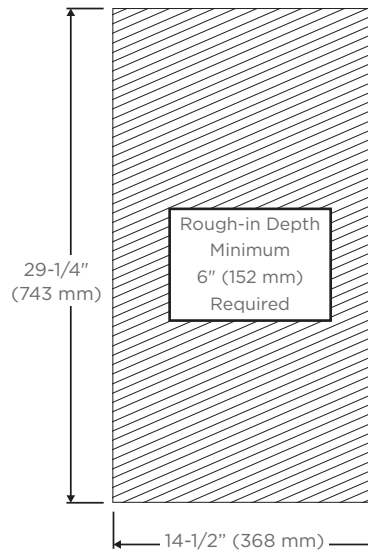
- Safety Lock Box – SLB
- Glass Bins
- Pull-out Magnifying Mirror – POMM
- Swing out Magnifying Mirror – SOMM
- Push-to-open Kit

Dimensions projected from wall

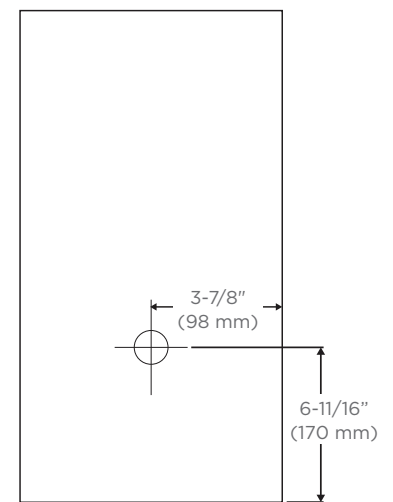
Recessed Mount				
	Bryn Mawr	Rosemont	Merion	Penn Valley
				
A=	1-1/8" (29 mm)	1-3/8" (35 mm)	1-1/16" (27 mm)	1-1/8" (29 mm)
Surface Mount				
	Bryn Mawr	Rosemont	Merion	Penn Valley
B=	6-7/8" (175 mm)	7-1/8" (181 mm)	6-13/16" (173 mm)	6-7/8" (175 mm)
Semi-Recessed Mount				
	Bryn Mawr	Rosemont	Merion	Penn Valley
C=	3-1/4" (83 mm)	3-1/2" (89 mm)	3-3/16" (81 mm)	3-1/4" (83 mm)



Cabinet Dimensions



Rough-in Dimensions



Back of Cabinet - Wire Access Location