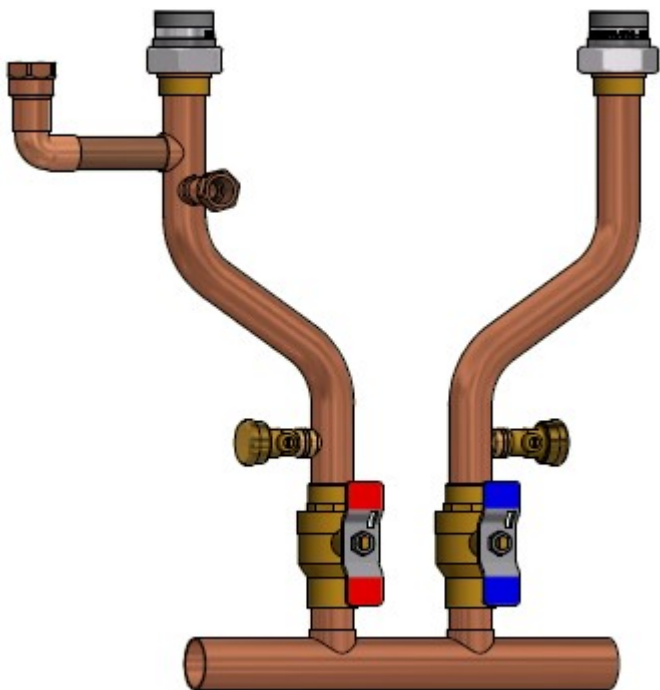


## SPECIFICATIONS



Closely Spaced Tee

### M-SERIES CONDENSING BOILERS - PLUMBING KIT

<b>Rinnai Part Number</b>	803000023
<b>Applicable Boiler Models</b>	<b>Combi Models:</b> M060C, M090C, M120C, M160C  <b>Solo Models:</b> M060S, M090S, M120S, M160S
<b>Material</b>	Type L Copper

### BENEFITS

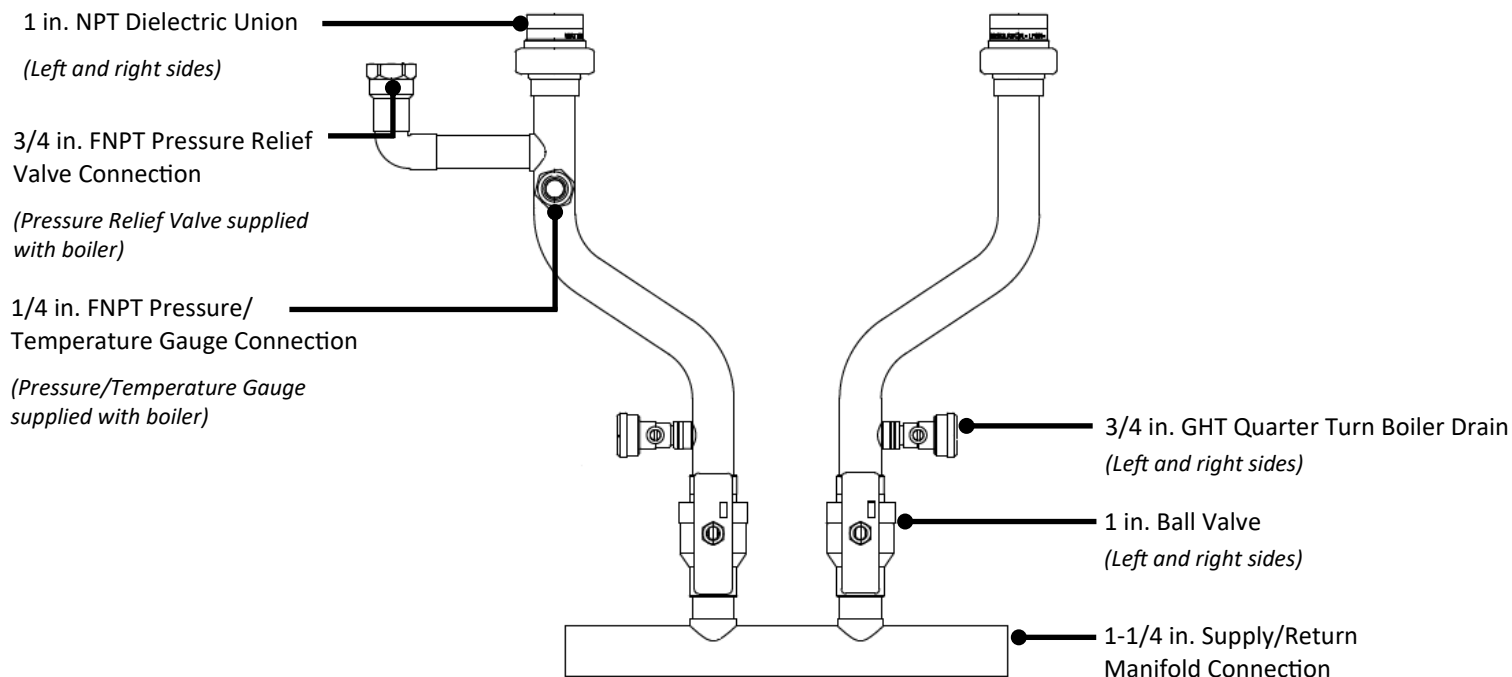
- Factory-built for quick field installation
- Designed specifically for Rinnai M-Series Boilers
- Offered as a boiler accessory for hydraulic separation
- Small footprint for easy installation
- Compact and lightweight (7.0 lb / 3.2 kg)

### HYDRAULIC SEPERATION

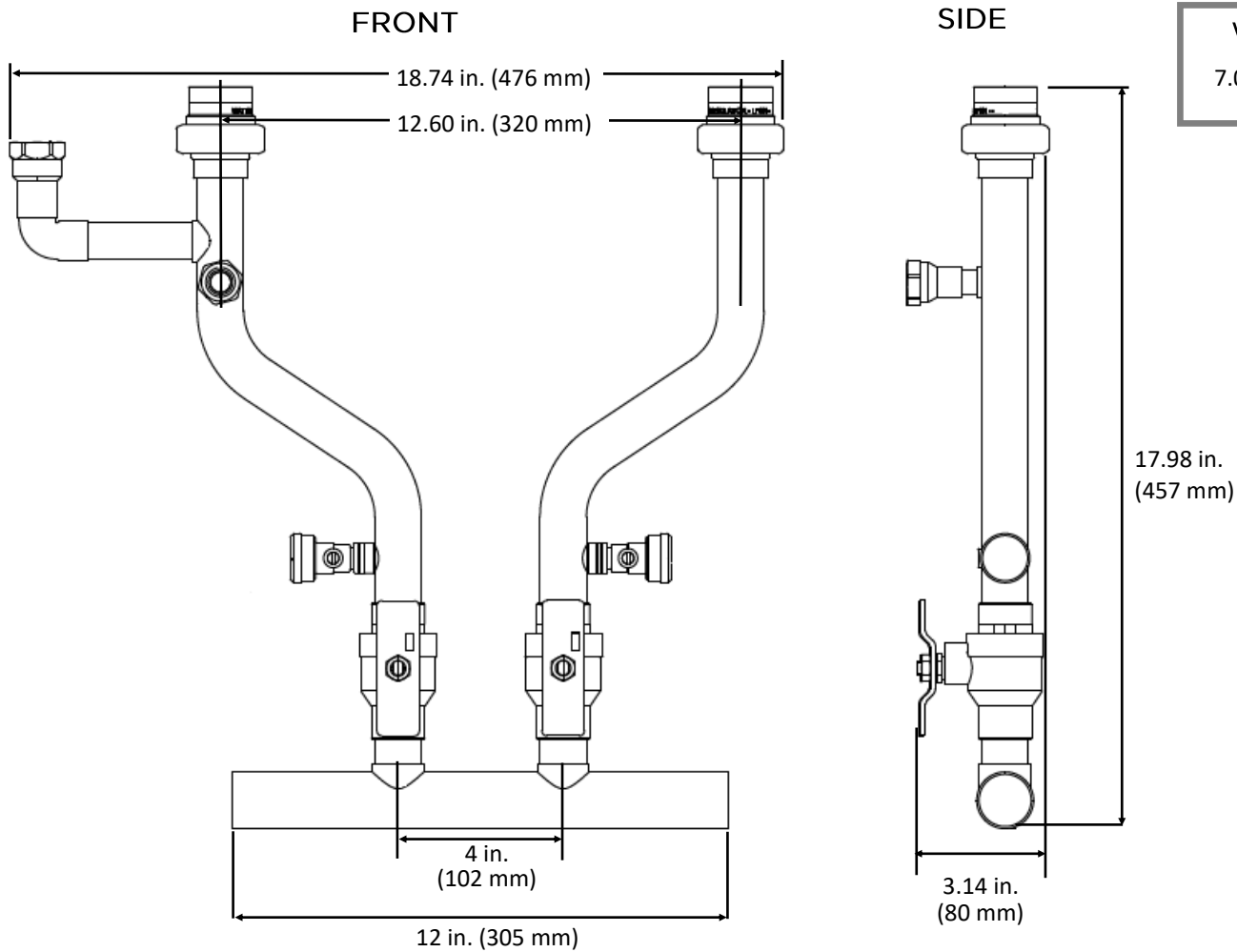
A closely spaced tee is a hydraulic separator that separates the boiler loop from the central heating loop. Hydraulic separators allow for no pump curve matching or flow calculation and is ideal for multi-temperature and multi-zone systems. Examples include:

- Systems with high pressure drops
- Systems with high flow demands
- Systems with zone circulators
- Large zoned systems

## CONNECTIONS



# DIMENSIONS AND WEIGHT



# SYSTEM APPLICATION EXAMPLE

