

Model: 200032-WH

Ceramic vessel without overflow

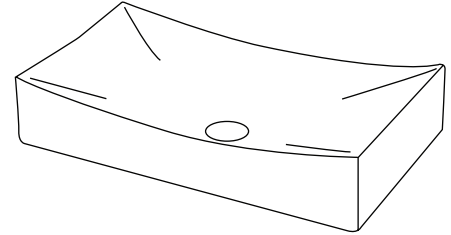
Codes/Standards Applicable

Specified model meets or exceeds the following:

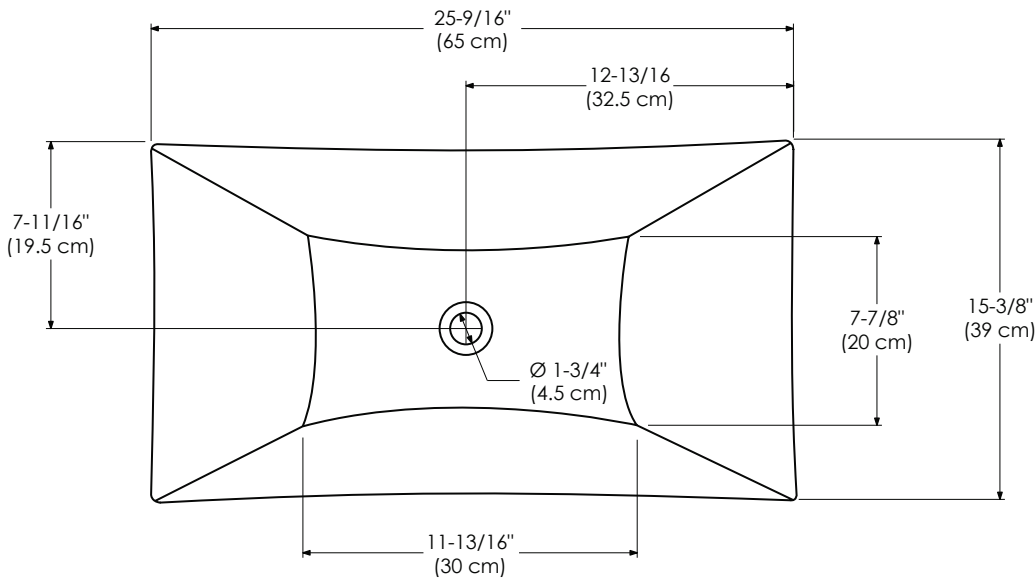
- ASME A112.19.2
- IAPMO/cUPC®
- CSA B45
- CMR 248
- U.S PATENT D596,719

Available Colors:

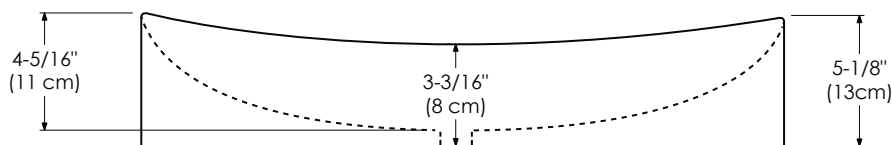
WHITE WH



TOP VIEW



FRONT VIEW



SIDE VIEW

