

**Model :** E072443

Designed By: **ALEXANDER ZHUKOVSKY** | RUSSIA

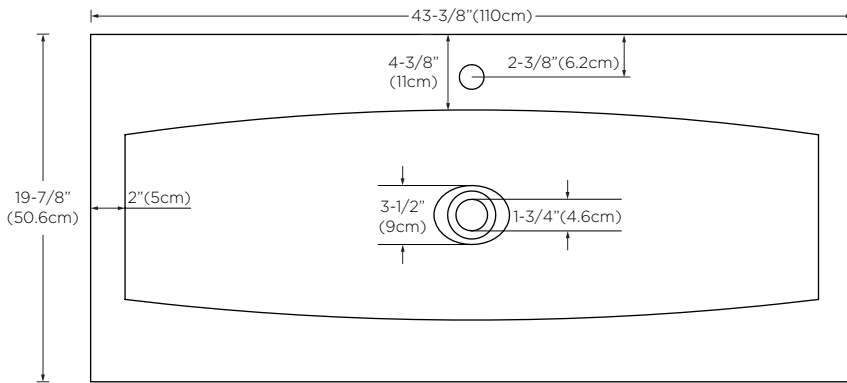
**Features :** No overflow  
 Matching ceramic drain cover plate included  
 Works with drain 703611-PC  
 Drain sold separately  
 U.S. PATENT PENDING

**Available Finish :** White (WH)

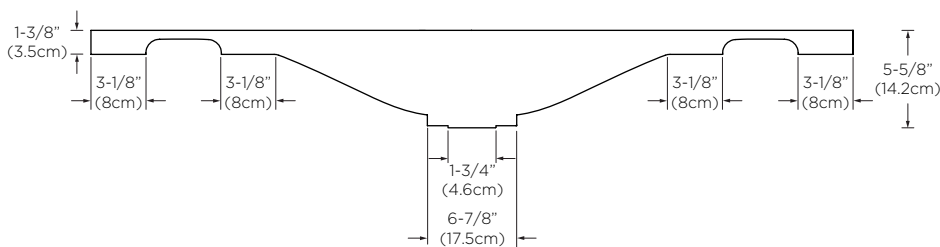
**Codes/Standards Applicable :** Specified model meets or exceeds the following:

- ASME A112.19.2
- IAPMO/cUPC
- CSA B45
- CMR 248

Top



Front



Side

