

Model : E022212

Designed By: **DANELONMERONI** | UNITED KINGDOM

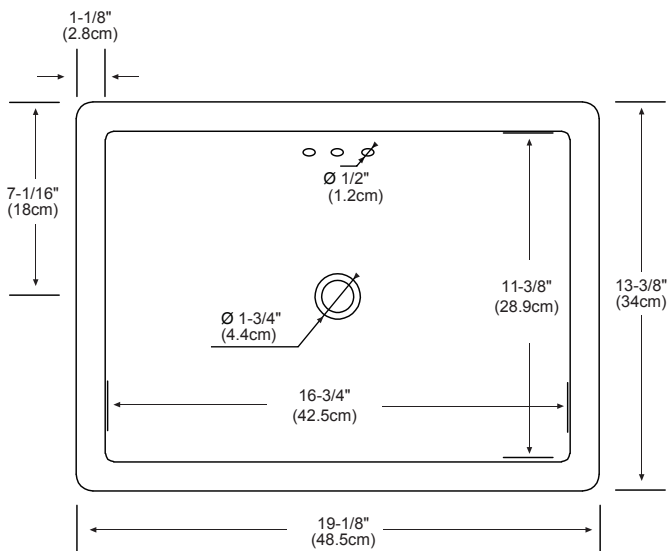
Features : Fully glazed bottom
Works with drain 702804
Drain sold separately

Available Finish : White (WH)

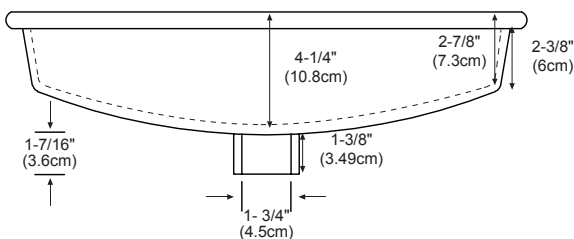
Codes/Standards Applicable : Specified model meets or exceeds the following:

- ASME A112.19.2
- IAPMO/cUPC
- CSA B45
- CMR 248

Top



Front



Side

