

**Model :** E022104-8

Designed By: DANELONMERONI | UNITED KINGDOM

**Features :** No overflow

Works with drains: 700103, 700204, 702503, 703606-WH, 703703-WH

Note: Drain 703606-WH and 703703-WH comes with attached matching ceramic cover

Drain sold separately

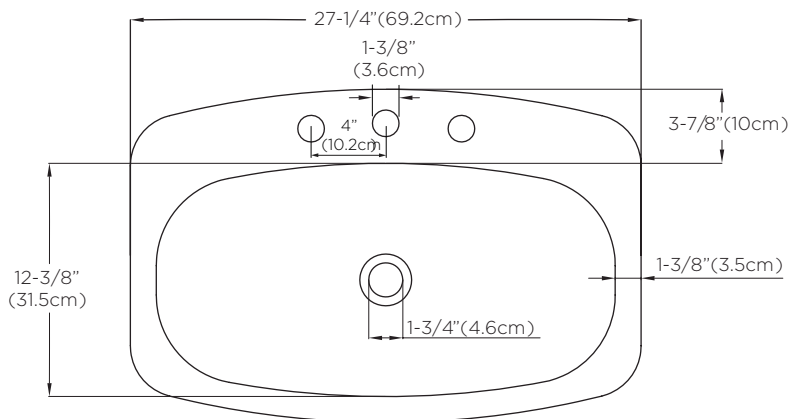
U.S PATENT PENDING

**Available Finish :** White (WH)

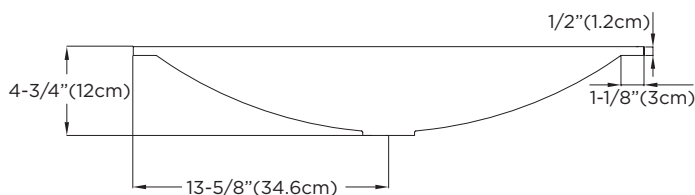
**Codes/Standards Applicable :** Specified model meets or exceeds the following:

- ASME A112.19.2
- IAPMO/cUPC
- CSA B45
- CMR 248

Top



Front



Side

