

**Model :** E022003

Designed By: DANELONMERONI | UNITED KINGDOM

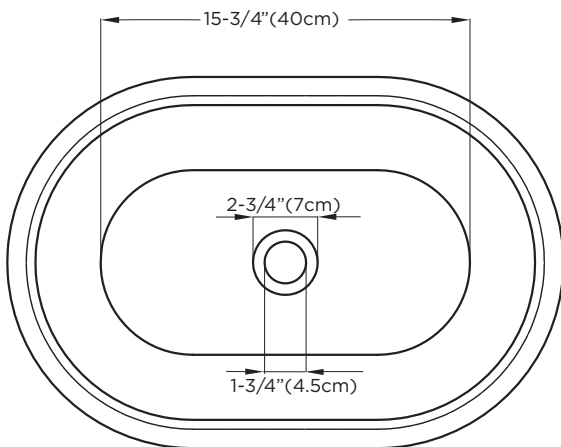
**Features :** No overflow  
Works with drains: 700103, 700204, 702503, 703606-WH, 703703-WH  
Note: Drain 703606-WH and 703703-WH comes with attached matching ceramic cover  
Drain sold separately  
U.S PATENT D761,401

**Available Finish :** White (WH)

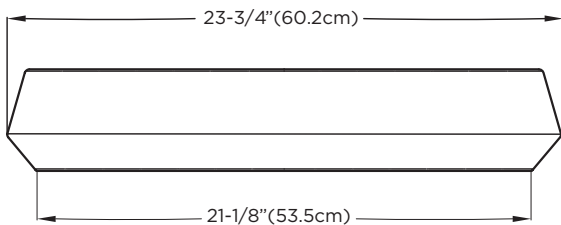
**Codes/Standards Applicable :** Specified model meets or exceeds the following:

- ASME A112.19.2
- IAPMO/cUPC
- CSA B45
- CMR 248

Top



Front



Side

