

Model : E012001

Designed By: **PHOENIX DESIGN | GERMANY**

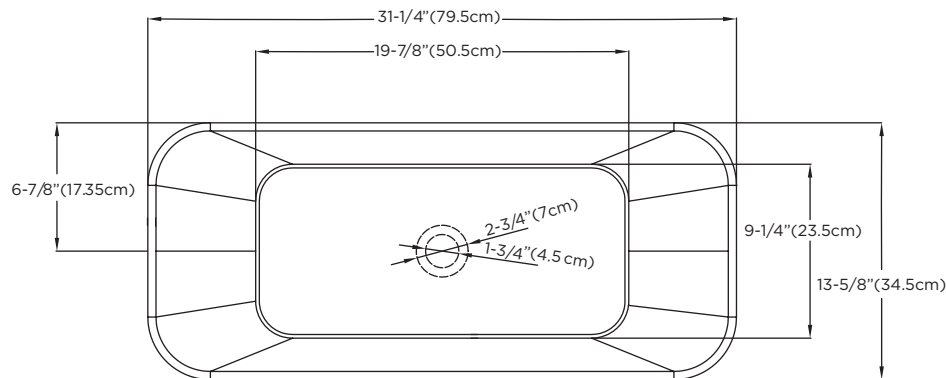
Features : No overflow
Matching ceramic drain cover plate included
Works with drain 700204
Drain sold separately
U.S. PATENT D745,646

Available Finish : White (WH)

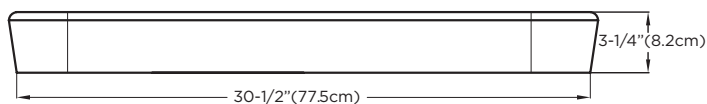
Codes/Standards Applicable : Specified model meets or exceeds the following:

- ASME A112.19.2
- IAPMO/cUPC
- CSA B45
- CMR 248

Top



Front



Side

