

**Model: 200033-WH**

Ceramic vessel without overflow

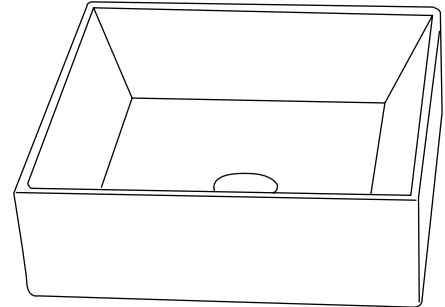
**Codes/Standards Applicable**

Specified model meets or exceeds the following:

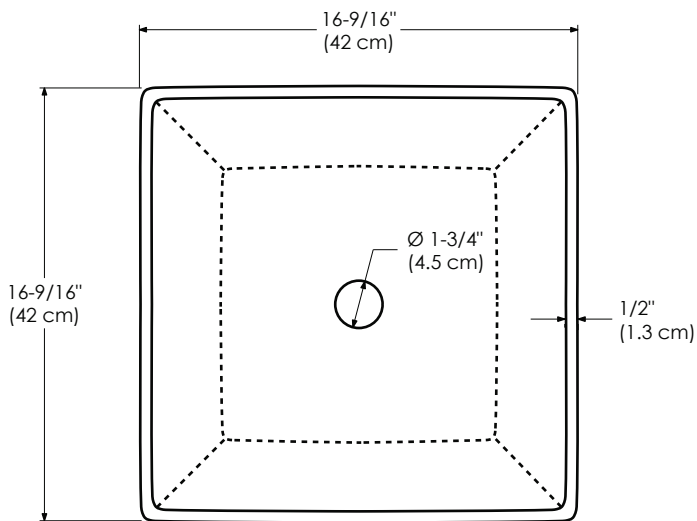
- ASME A112.19.2
- IAPMO/cUPC®
- CSA B45
- CMR 248

Available Colors:

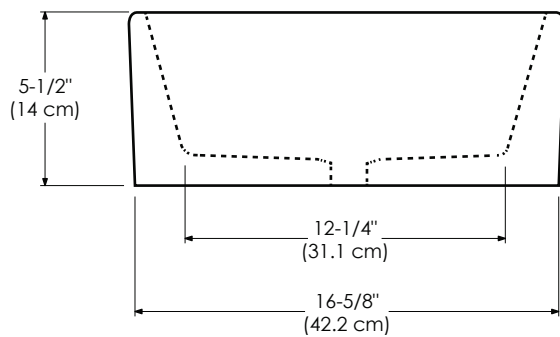
WHITE WH



TOP VIEW



FRONT VIEW



SIDE VIEW

