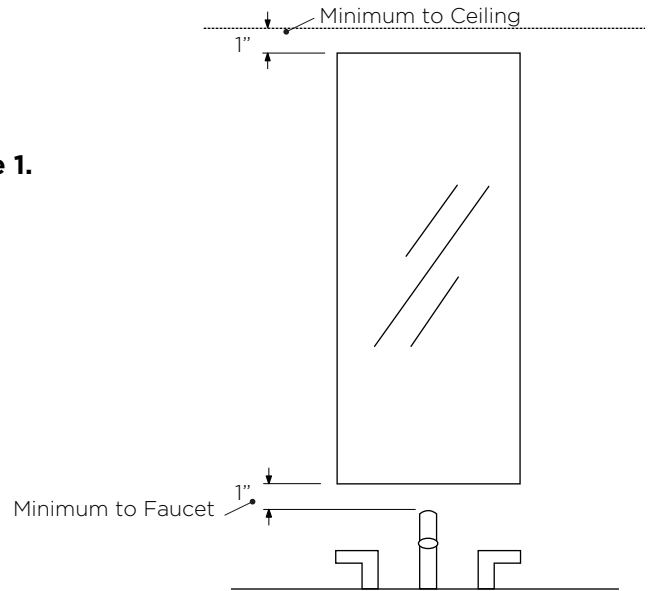


STEP 1: Determine the ideal location of your new wall cabinet. Make sure the cabinet has enough clearance from the faucet and ceiling.

See Figure 1.

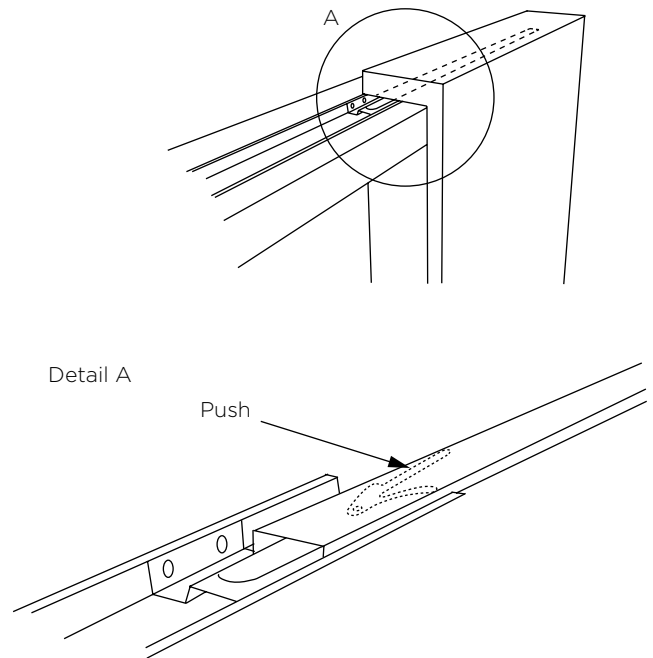
Figure 1.



STEP 2: Remove the sliding door by pushing the hardware clips on top and bottom.

See Figure 2.

Figure 2.

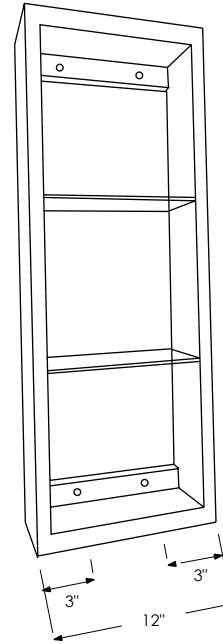


STEP 3: Measure and drill four holes inside the cabinets on the top and bottom.

It is strongly recommended the cabinet is mounted to studs with the wood screws provided. If studs are not available, it is recommended to use anchors that support up to 60 LBS.

See Figure 3.

Figure 3.

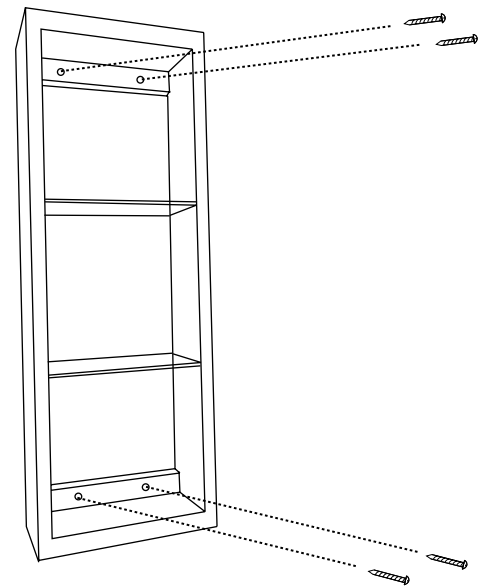


STEP 4: Position the cabinet at the location determined in step 1. Secure the wood screws through the cabinet.

If anchors are used then position the anchors in the correct location before fastening the screws.

See Figure 4.

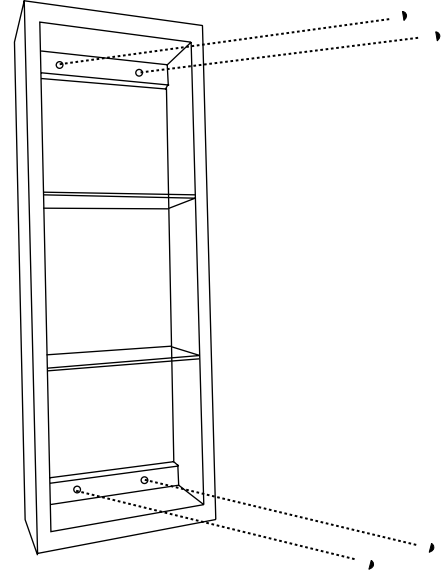
Figure 4.



STEP 5: Put (4) screw-covers over the screws.

See Figure 5.

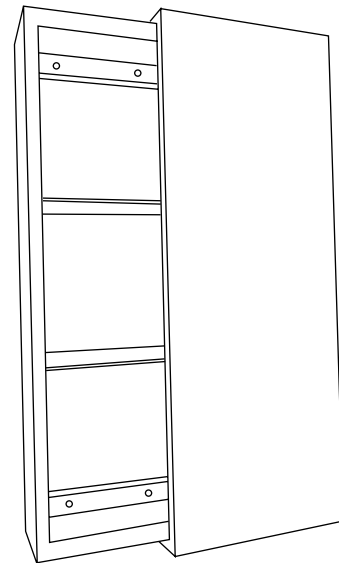
Figure 5.



STEP 6: To install the sliding door onto the cabinet simply slide the door onto the metal slides until you hear a click. The clicking sound means the door is locked to the glide.

See Figure 6.

Figure 6.



MATERIALS NEEDED:

- PHILIP SCREWDRIVER
- STUD LOCATOR
- LEVELING TOOL
- HAND DRILL
- ANCHORS

MATERIAL PROVIDED:

- (4) WOOD SCREWS
- (4) SCREW HEAD COVERS