

MODEL: 670019-1-COLOR  
670019-2-COLOR

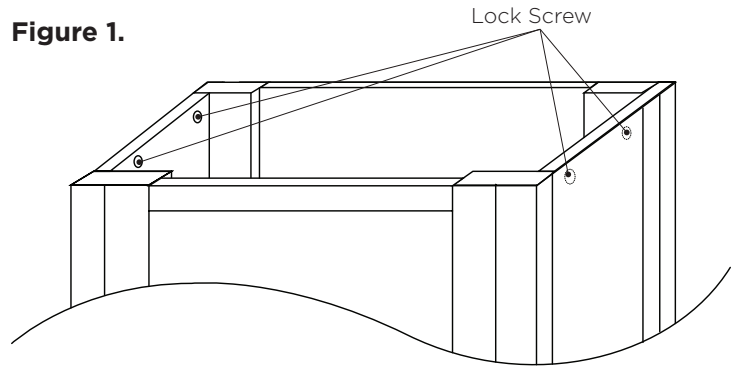
ACCESSORIES

**STEP 1:** Place 670019-1 on top of 670019-2.

**Note:** Line up the legs of each cabinet. This will line up the dowel to lock screw.

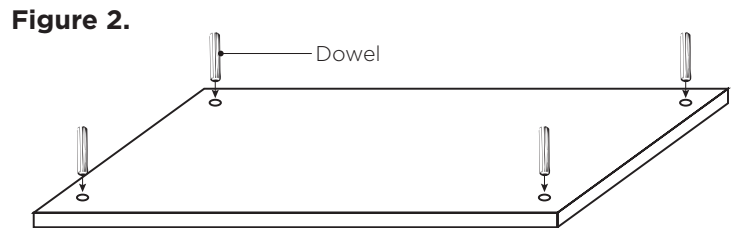
**STEP 2:** Lock screws should be pre-installed on the inside of 670019-2.

See Figure 1.



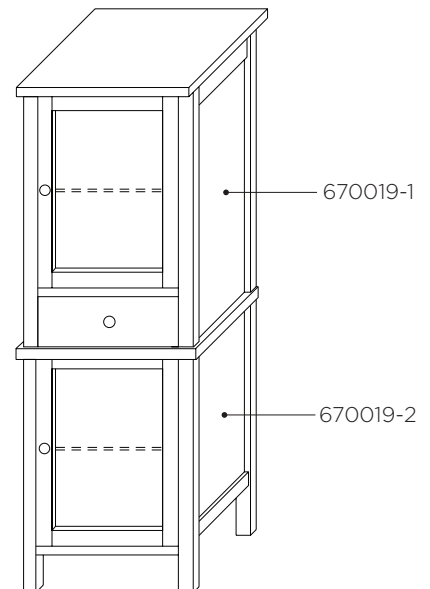
**STEP 3:** Place (4) dowels into the 4 locations indicated in Figure 2.

See Figure 2.



**STEP 4:** Turn lock screws clockwise to secure the cabinets in place.

See Figure 3.



**MATERIALS NEEDED:**

- PHILIP SCREWDRIVER
- (4) DOWELS (included)
- (1) 670019-1
- (1) 670019-2