

MODEL: 217737-1-WH  
217737-8-WH

SPECIFICATION SHEET

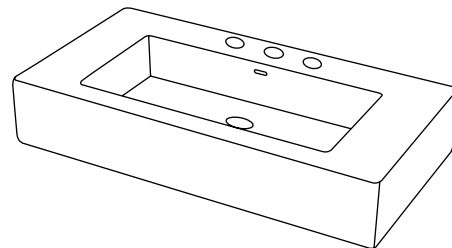
SINKS FOR ABOVE COUNTER

Ceramic vessel with overflow

**Codes/Standards Applicable**

Specified model meets or exceeds the following:

- ASME A112.19.2
- IAPMO/cUPC®
- CSA B45
- CMR 248



Available Colors:

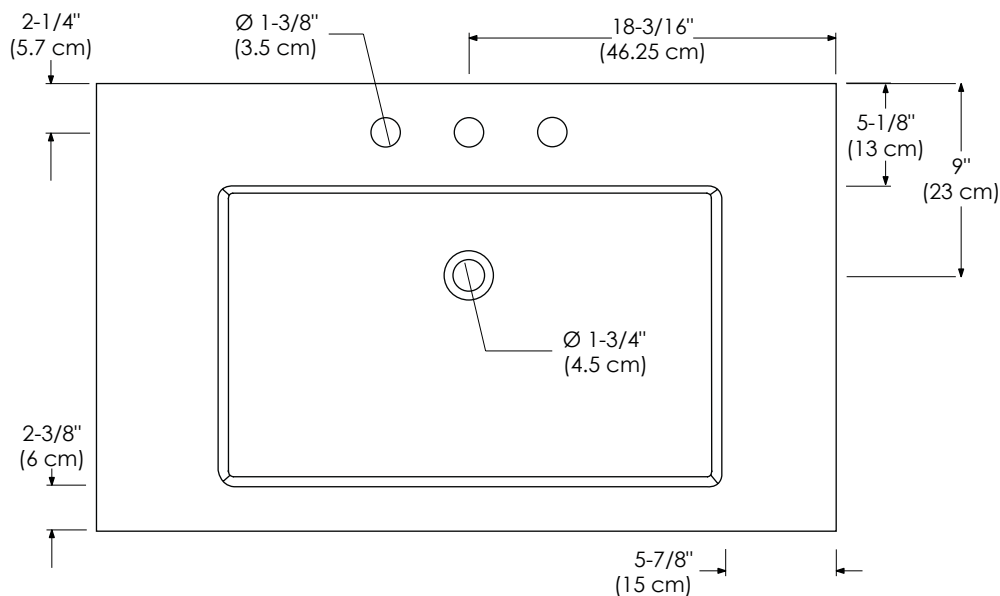
WHITE WH

Faucet:

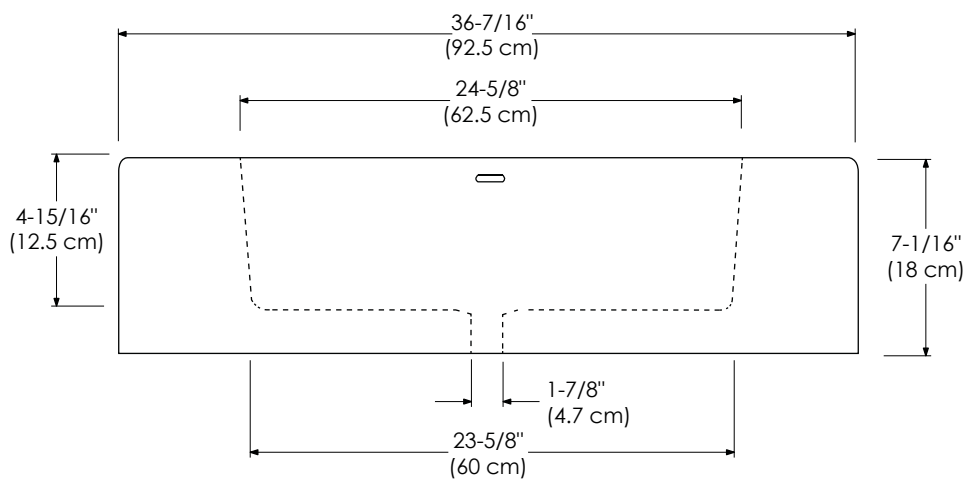
SINGLE FAUCET HOLE

8" WIDESPREAD

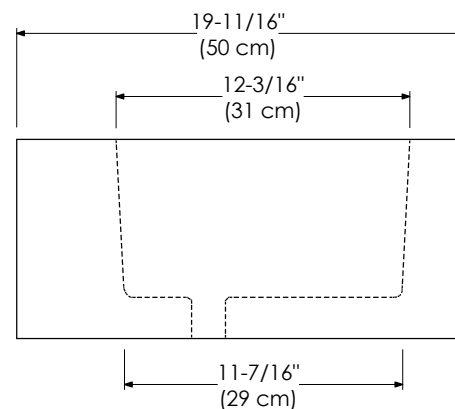
TOP VIEW



FRONT VIEW



SIDE VIEW



By IAPMO, ceramic lavatory warpage is defective only if warpage of flat slab out of horizontal plane exceeds 6.3 mm/m (0.25 in/ft) on all sizes OR warpage on back of lavatories that are attached to the wall exceeds 3 mm (0.13 in).