

RECTANGLE TAPERED SELF-RIMMING CERAMIC VESSEL

RONBOW

MODEL: 200361-WH
200361-BI

SPECIFICATION SHEET

SELF-RIMMING SINKS

Ceramic self-rimming vessel with overflow

Codes/Standards Applicable

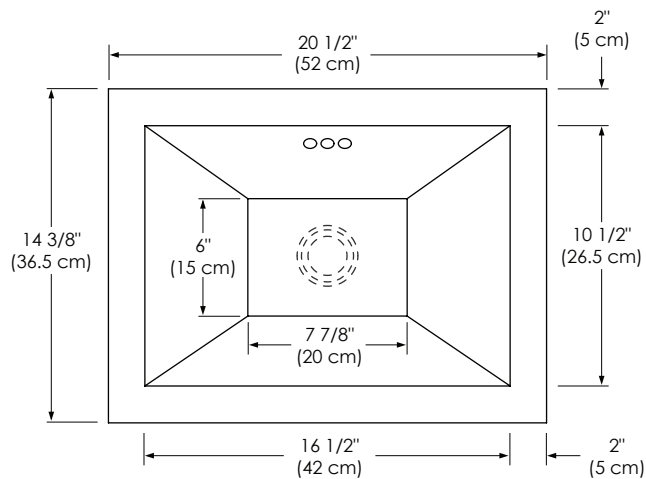
Specified model meets or exceeds the following:

- ASME A112.19.2
- IAPMO/cUPC®
- CSA B45
- CMR 248

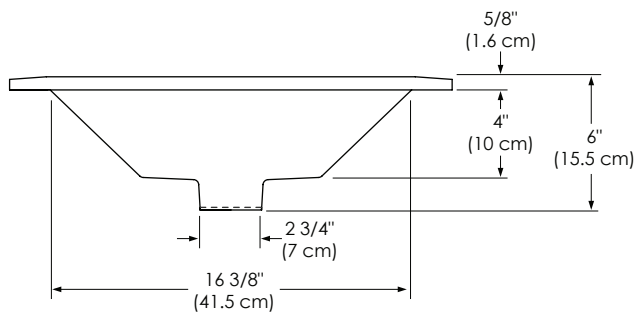
Available Colors:

WHITE WH
BISUCIT BI

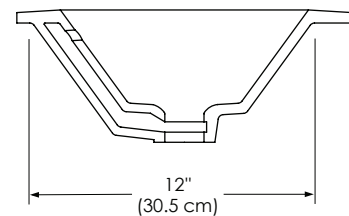
TOP VIEW



FRONT VIEW



SIDE VIEW



By IAPMO, ceramic lavatory warpage is defective only if warpage of flat slab out of horizontal plane exceeds 6.3 mm/m (0.25 in/ft) on all sizes OR warpage on back of lavatories that are attached to the wall exceeds 3 mm (0.13 in).