

MODEL: 018936-L-FINISH
018936-R-FINISH

SPECIFICATION SHEET

WALL-HUNG COLLECTION
NEW VERSION

- Soft close and full extension drawers with dovetail construction
- Under mount glides
- Matching finish throughout the interior
- Decorative drawer with glass side panels
- Optional drawer organizer and motion sensor LED light
- Matching mirror, medicine cabinet and wall cabinet
- One large drawer with two side drawers

All Ronbow cabinets are made of solid hardwood or hardwood plywood and meet strict CARB Standards. No particle board or Micro-Density Fiberboard (MDF) are used.

Available finishes:

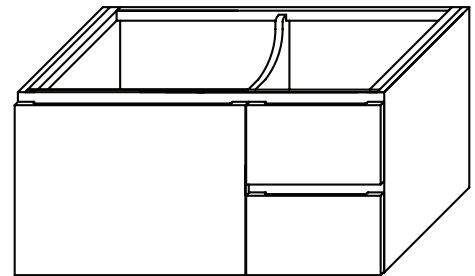
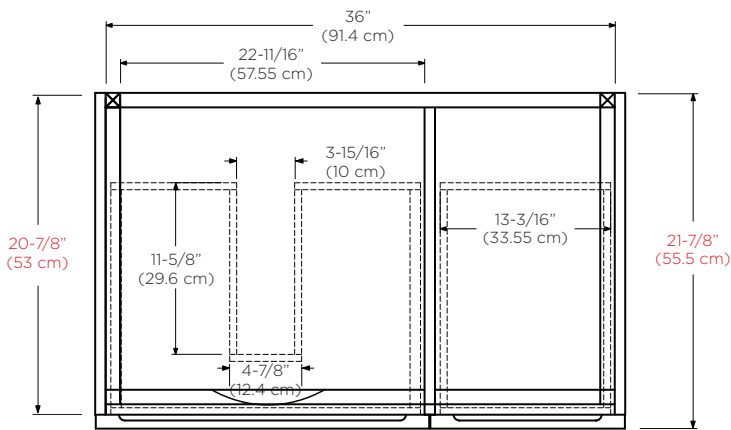
- BLUSH TAUPE E01
- SLATE GRAY E12
- GLOSSY WHITE E23

Available tops:

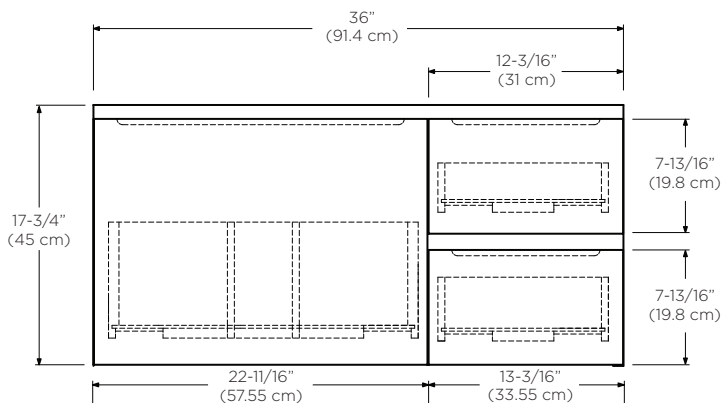
TECHSTONE™ TOP

Shown as left (L)

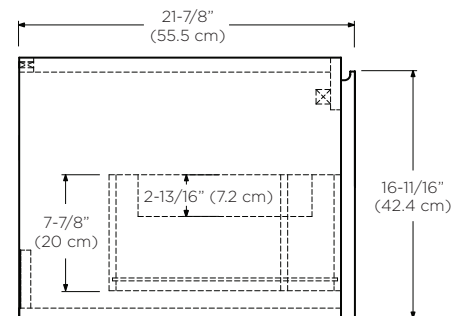
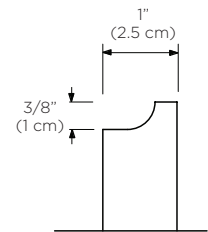
TOP VIEW



FRONT VIEW



SIDE VIEW



The Vanessa vanity will transition to new specs. Please contact Ronbow customer service for more information.