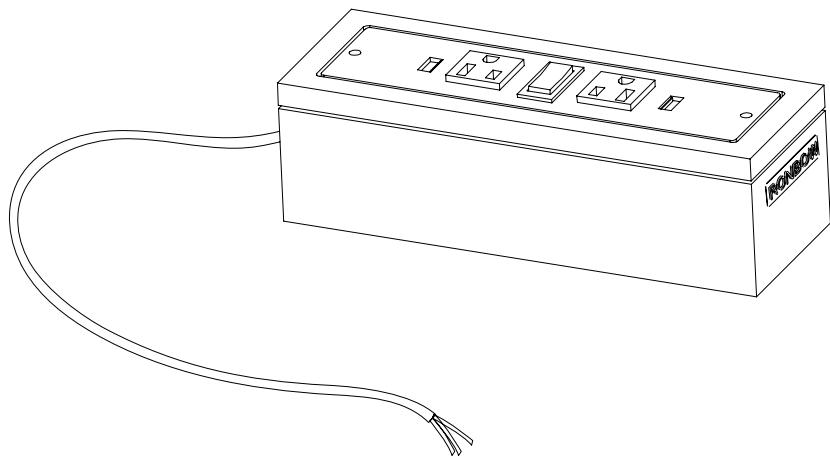


# RONBOW



## INSTALLATION AND CARE GUIDE

ELECTRICAL OUTLET BOX

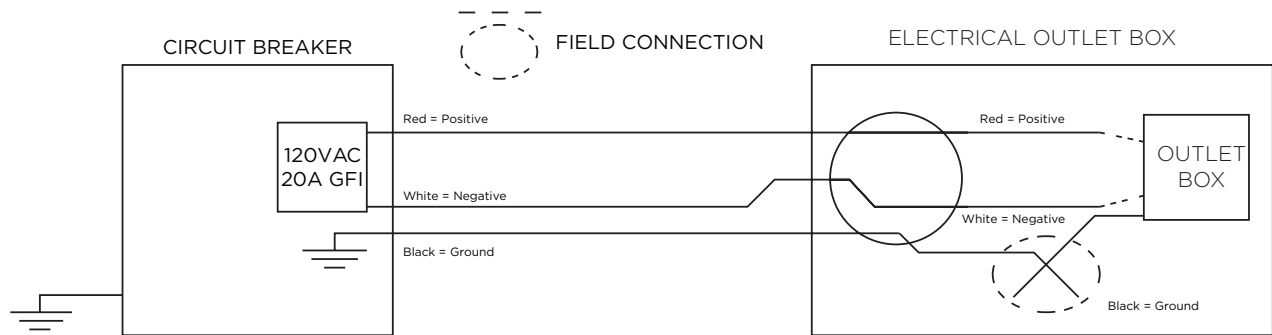
711040

# ELECTRICAL OUTLET BOX

# RONBOW

Model : 711040

## Tools Required



### ALL WIRING SHOULD BE DONE BY A QUALIFIED LICENSED ELECTRICIAN.

**WARNING:** Wire devices in accordance with the NEC. If you are not sure about existing conductor wires, color coding, polarity and circuit feed contact a licensed electrician.

**CAUTION:** Requires 120V 15AMP circuit.

**CAUTION:** To be installed and/or used in accordance with appropriate electrical codes and regulations.

**CAUTION:** To avoid fire, electrical shock and/or electrocution turn power OFF at the circuit breaker before wiring.

### SPECS:

Input Voltage: 1250W,(125V 10A)

USB Input: AC 100-240V

USB Output:5V 1A Max Per Port, Total of 5W

SURFACE MOUNT ONLY

## PRE-INSTALLATION

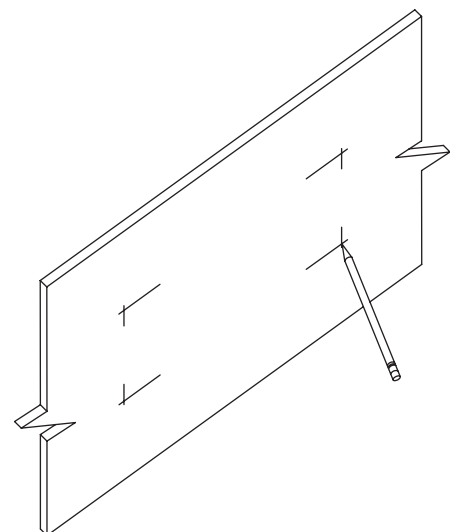
### Step 1:

Use the pencil & outlet box to mark out the corners of your desired electrical outlet box location

Note: If you plan to use this outlet box with appliance with ALCI plug, make sure to take the size of ALCI plug into account when deciding on the placement.

See Figure 1.

Figure 1.



Model : 711040

## INSTALLATION

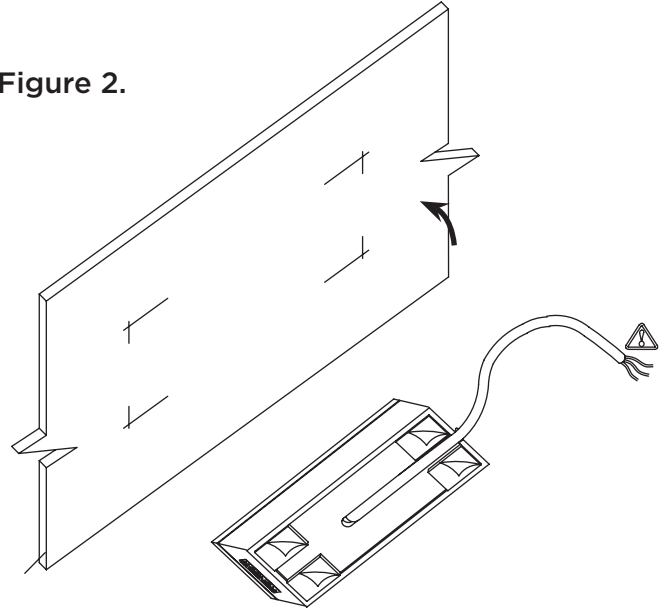
### Step 2:

Use cloth with dabs of isopropyl alcohol to clean off the surface.

When surface is cleaned, remove the 3M tape cover on the back of the outlet box

See Figure 2.

Figure 2.



### Step 3:

Prior to installing the electrical outlet box, please make sure the grounded contract opening towards the bottom of the drawer like picture indicated on the right.

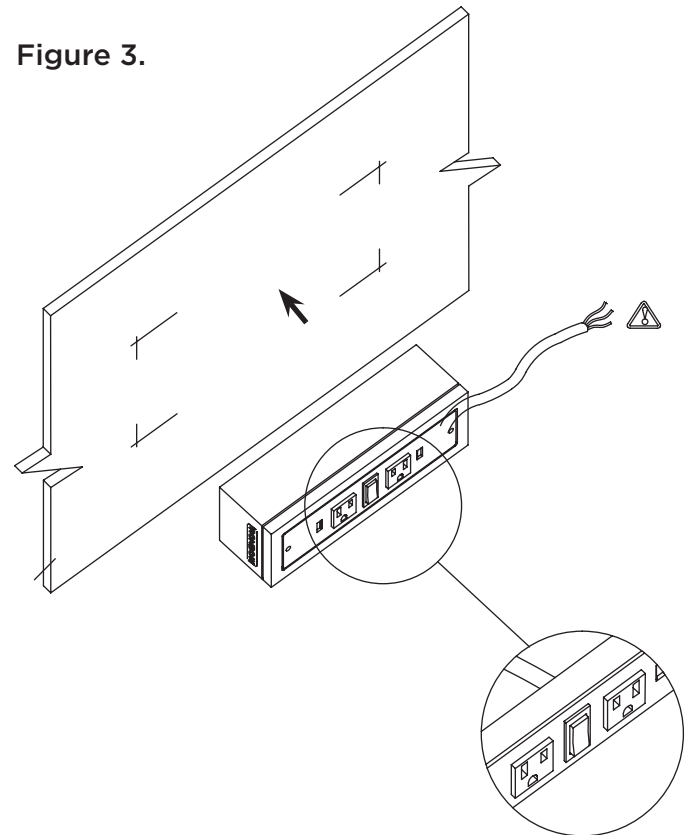
Match your electrical outlet box to your desired location, and press the box firmly to the mounting surface

**Note:** Grounded contract opening towards the bottom of the drawer

**Note:** On/Off/Reset button is located in between of the two outlet.

See Figure 3.

Figure 3.



Model : 711040

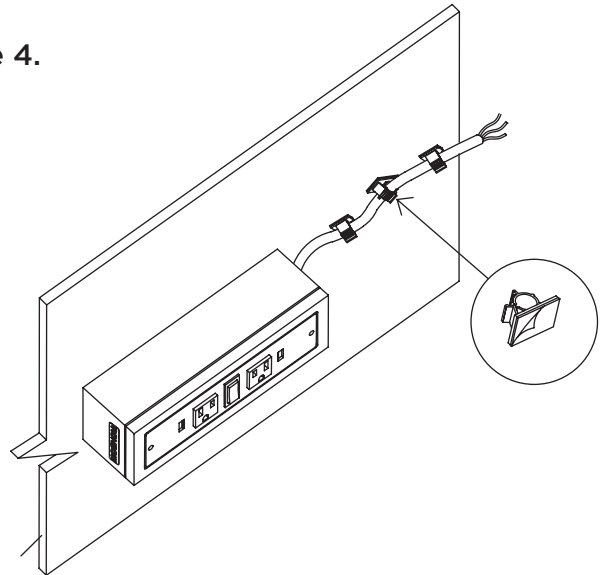
## INSTALLATION - CONTINUE

### Step 4:

Remove the 3M tape cover on the back of the cord clip, and place it at your desired wire path.

See Figure 4.

Figure 4.



### Step 5:

Connect the wire to your home electrical wiring as indicated on the right:

White- Negative  
Green- Ground  
Black- Positive

**CAUTION: ALL WIRING SHOULD BE DONE BY A QUALIFIED LICENSED ELECTRICIAN.**

**WARNING:** To reduce the risk of electrical shock, shut off power before wiring the outlet box.

See Figure 5.

Figure 5.

