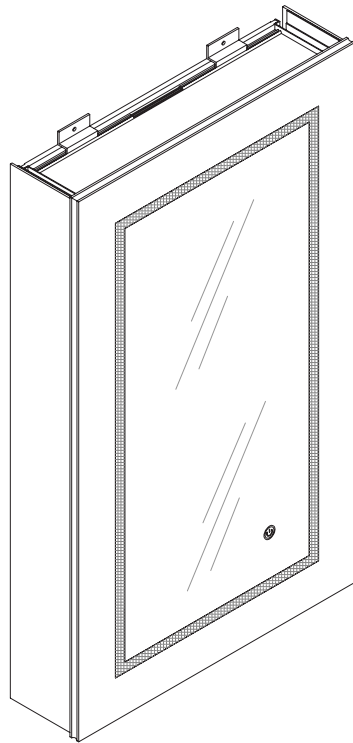


# RAINBOW



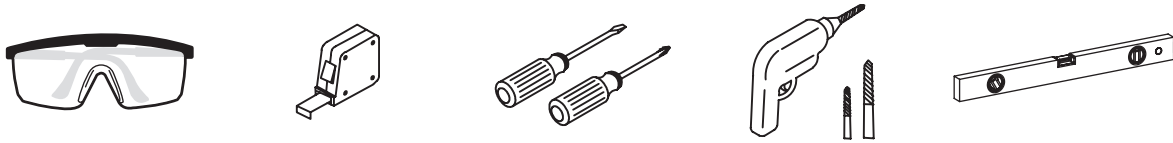
## INSTALLATION AND CARE GUIDE

MARQUEE LED MEDICINE CABINET

619718-FINISH

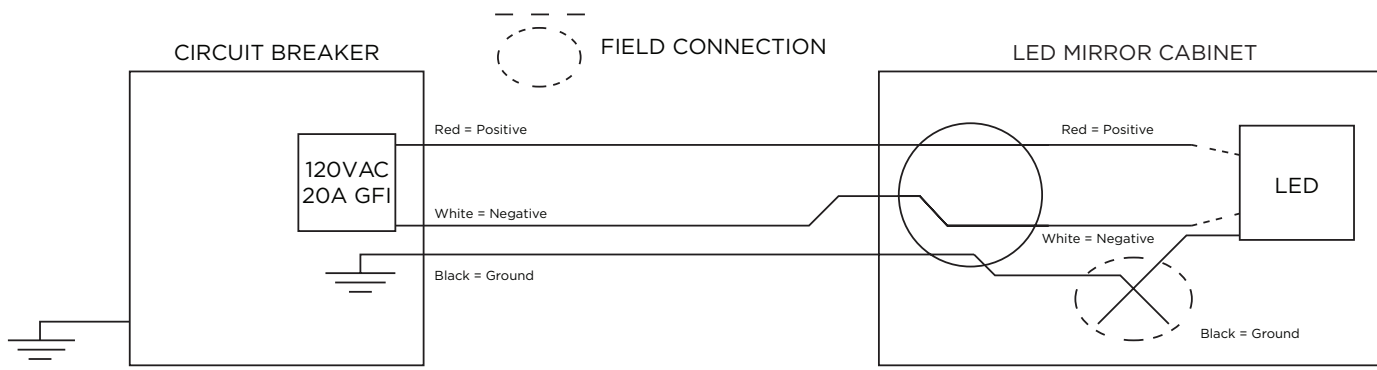
Model : 619718-FINISH

**Tools Required**



**NOTE :** ALL WIRING SHOULD BE DONE BY A QUALIFIED LICENCED ELECTRICIAN.  
**WARNING:** To reduce the risk of electrical shock, shut off power before wiring the cabinet  
**CAUTION:** Requires 120V 20AMP circuit.  
**CAUTION:** The LED mirror must be wired to a 20AMP GFI (ground fault interrupter)circuit breaker when used in bathrooms and all other locations required by the national electric code.

**Wiring Diagram :**



**MATERIALS INCLUDED**

- 1 LED Medicine Cabinet
- 2 small mounting bracket
- 1 large mounting bracket
- 10 wood screws
- 6 screw covers
- 1 cut out template (For recess mount)

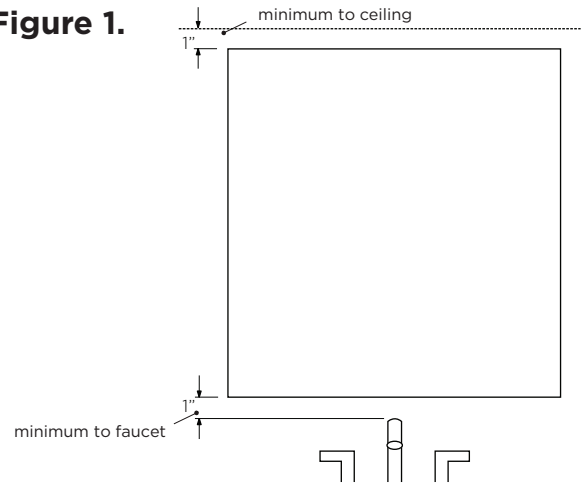
Model : 619718-FINISH

### SURFACE MOUNT INSTALLATION

**Step 1:** Determine the ideal location of your new mirror.

**See Figure 1.**

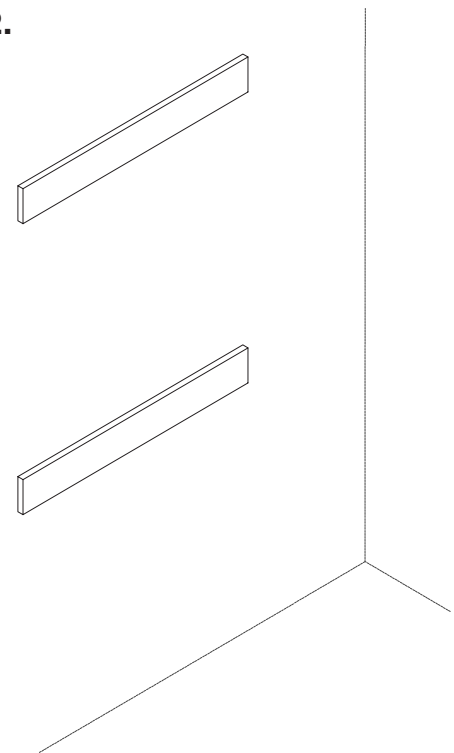
**Figure 1.**



**Step 2:** Measure the height of the medicine cabinet and place the 2 x 4 supporting beam on the top and bottom behind the desired location for structural support and patch up the wall.

**See Figure 2.**

**Figure 2.**



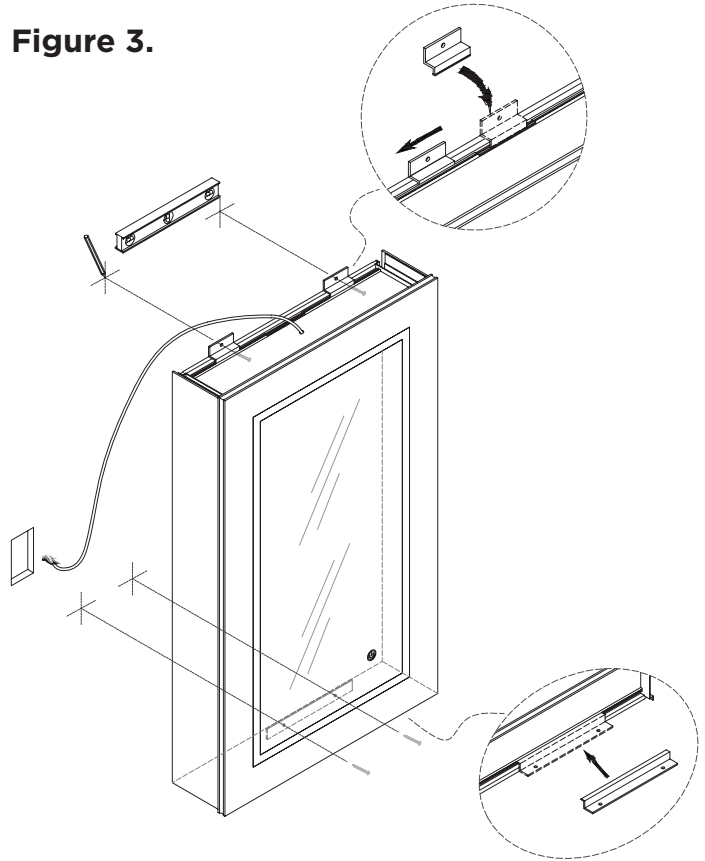
Model : 619718-FINISH

**SURFACE MOUNT INSTALLATION- CONTINUE**

**Step 3:** Slide in the top and bottom hanging bracket to the track as shown on the right.

And screw the mirror at the support beam location to secure the installation.

**See Figure 3.**

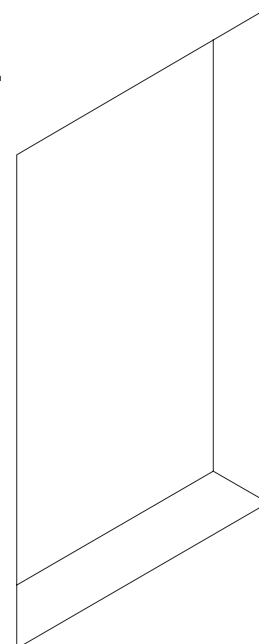


**RECESS MOUNT INSTALLATION**

**Step 1:** Place the cut out template at the desired location and cut open to create a supporting box with 2x4 supporting beam, the supporting beam should be flush with the openings.

**See Figure 4.**

**Figure 4.**



Model : 619718-FINISH

**RECESS MOUNT INSTALLATION- CONTINUE**

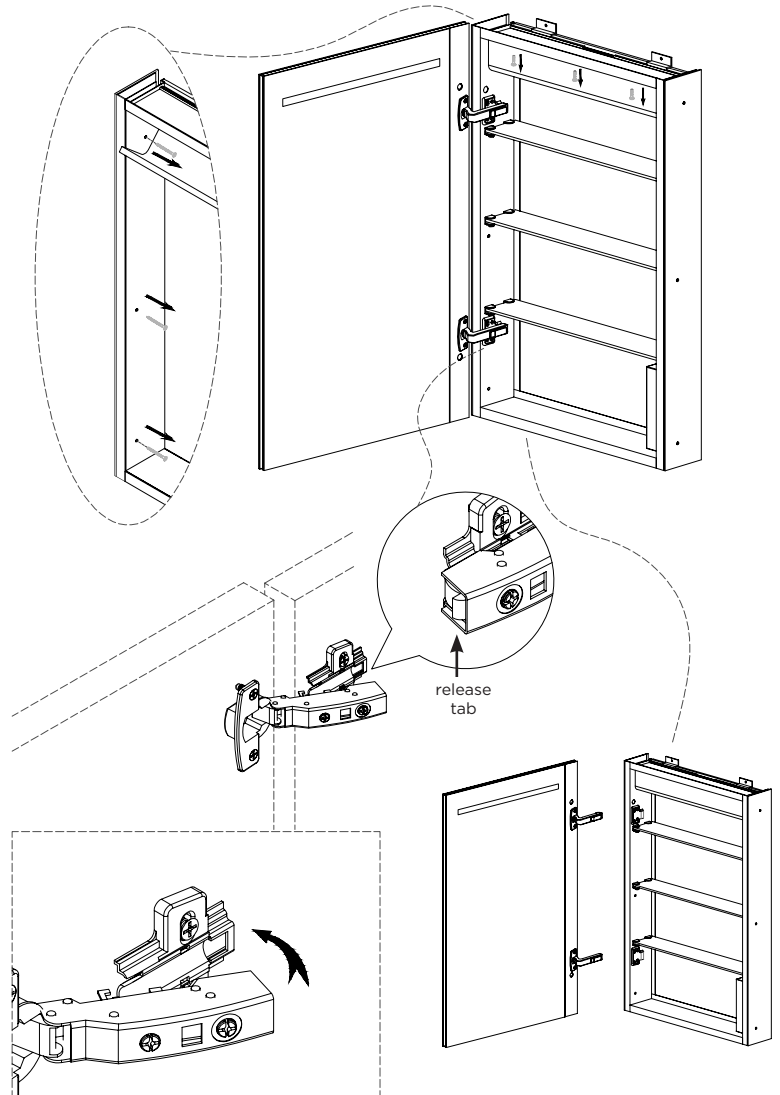
**Step 1:** Remove the mirror door by lift the release tab of both hinges, and carefully remove the cabinet door.

**Figure 5.**

**Step 2:** Remove the three screws on the electrical box on the top and flip down the cover to gain access to the last screws in order to remove the decorative side panels.

**Step 3:** Remove the three screws from both side of the cabinet interior and remove the decorative side panel and beginning recess mount installation.

**See Figure 5.**



Model : 619718-FINISH

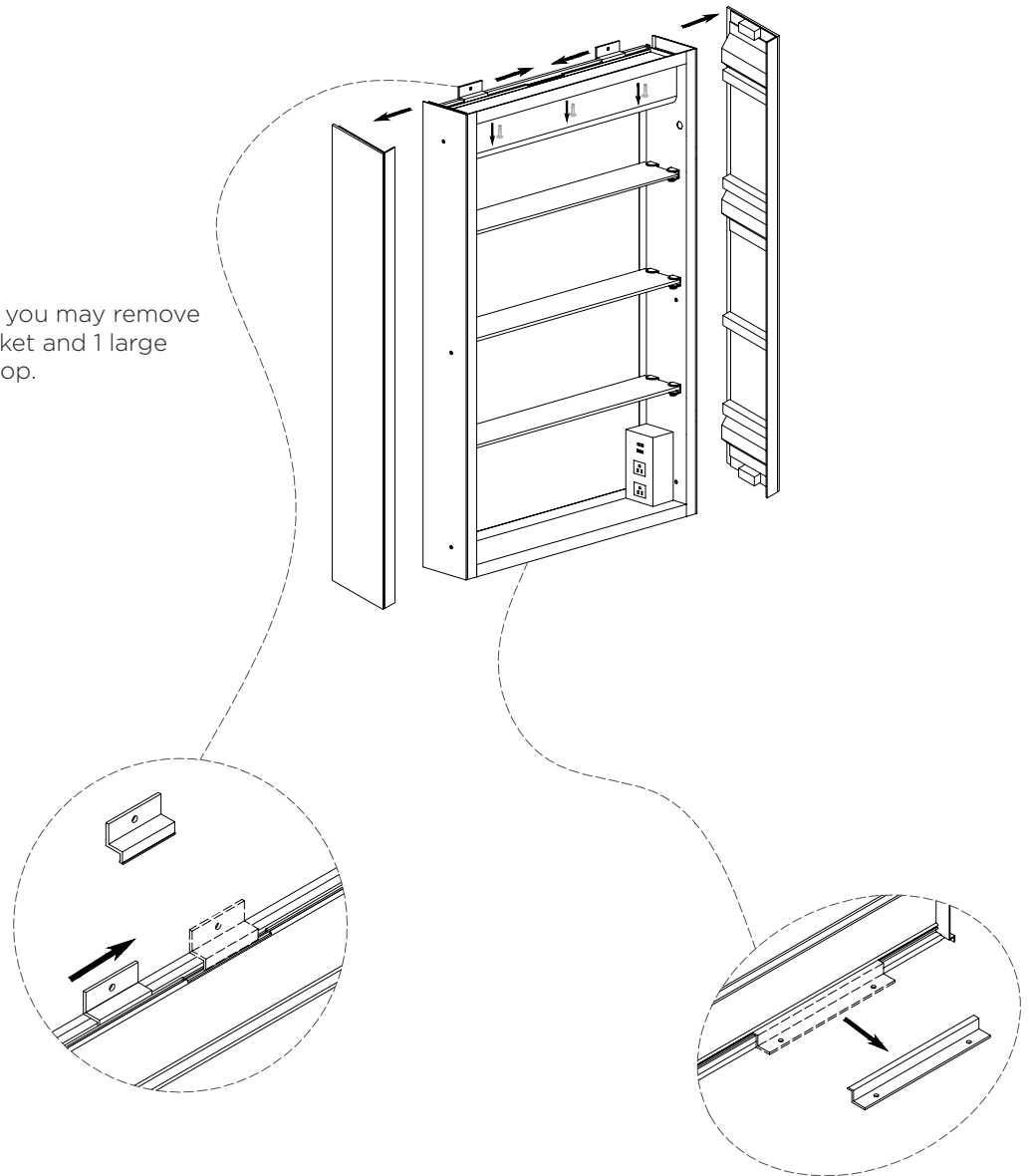
**RECESS MOUNT INSTALLATION- CONTINUE**

**Step 4:** After removing the screws from both side of the interior cabinet, you may remove the two decorative panel and put it aside.

**Figure 6.**

**Step 5:** For the recess installation, you may remove the 2 small mounting bracket and 1 large mounting bracket on the top.

**See Figure 6.**



Model : 619718-FINISH

**RECESS MOUNT INSTALLATION- CONTINUE**

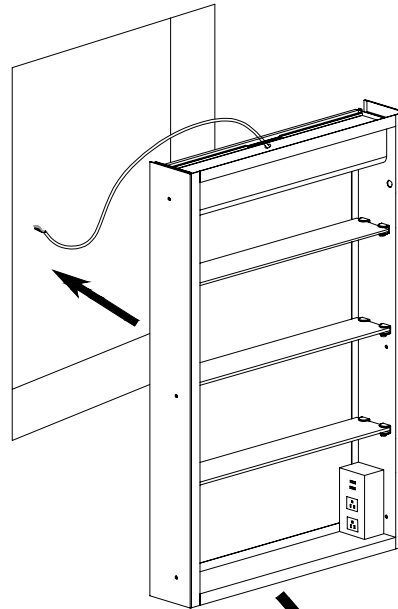
**Step 6:** Connect the cabinet wire to your home electricity.

**ALL WIRING SHOULD BE DONE BY A QUALIFIED LICENCED ELECTRICIAN.**

Then insert the cabinet body to the wall and use the wood screws to secure the cabinet to the supporting beam.

NOTE: To conceal the screw, please place the screw cover through the screws before secure down the cabinet to the wall

**Figure 7.**



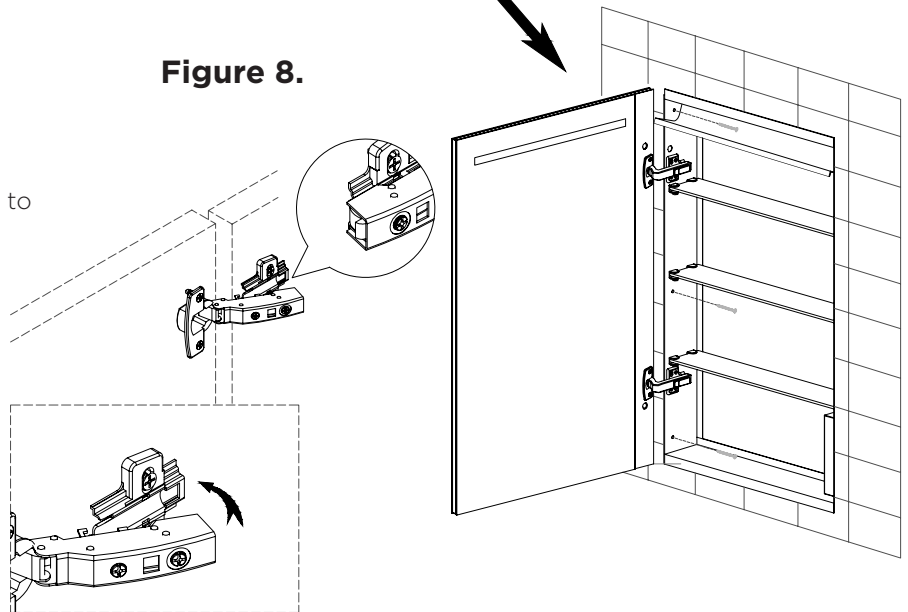
**Step 7:** Close the electrical box and conceal the box with the screws removed.

**See Figure 7.**

**Figure 8.**

**Step 8:** Connect the hinges back together to complete the installation.

**See Figure 8.**



Model : 619718-FINISH

### ADJUSTING THE HINGE

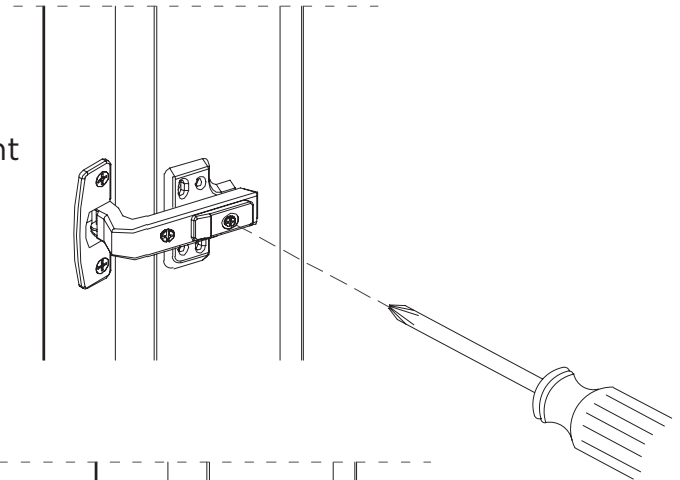
#### Left to Right

Locate the screw pictured in Figure 7. Turn the screw clockwise or counter-clockwise to move the door from left to right

See Figure 9.

**Figure 9.**

Left to Right



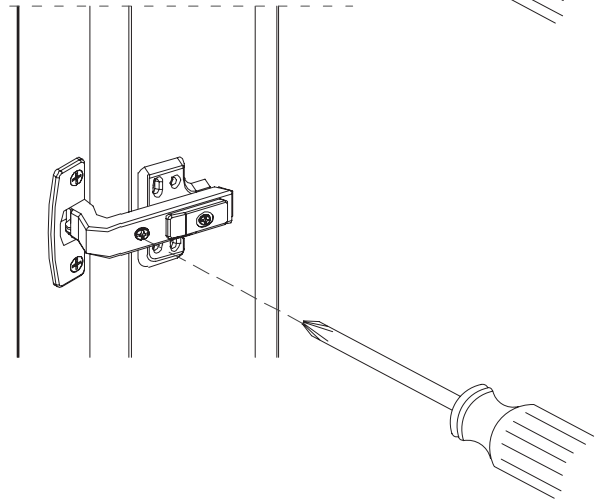
#### Inward to Outward

Locate the screw pictured in Figure 10. Turn the screw clockwise or counter-clockwise to move the door inward and outward

See Figure 10.

**Figure 10.**

Inward to Outward



#### Slow Close Function

Switch the tab to turn on and off the damper for the slow close function

See Figure 11.

**Figure 11.**

