

SIGNATURE SERIES

by RONBOW

INSTALLATION AND CARE GUIDE

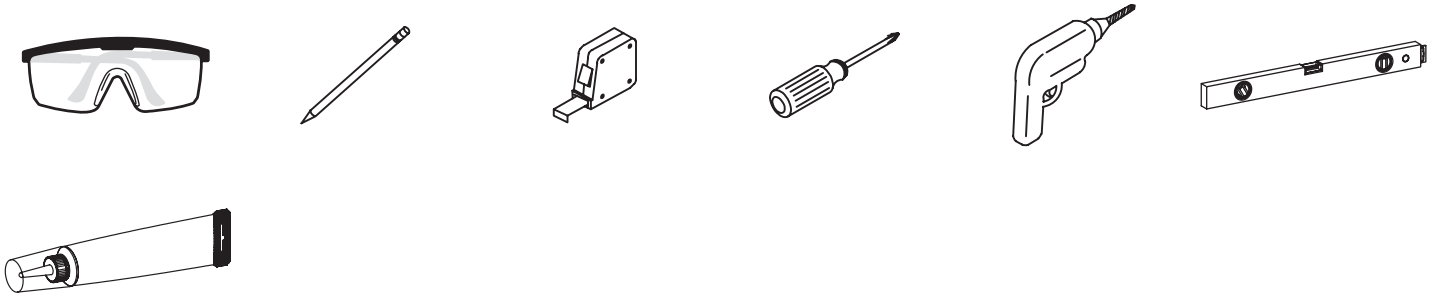
28" WIDE VANITY
E010228

Model : E010228

Designed By: PHOENIX DESIGN | GERMANY

PRE-INSTALLATION

Tools Required



Materials Included

4 leg levelers

Materials Required

3 wood screws
1 2x6 beam cut to size

Model : E010228

Designed By: PHOENIX DESIGN | GERMANY

INSTALLATION

Step 1: Determine the ideal location of your new vanity.

Check if the location has at least two studs for the 2x6 horizontal beam to sit in place and attach the vanity for safety purposes.

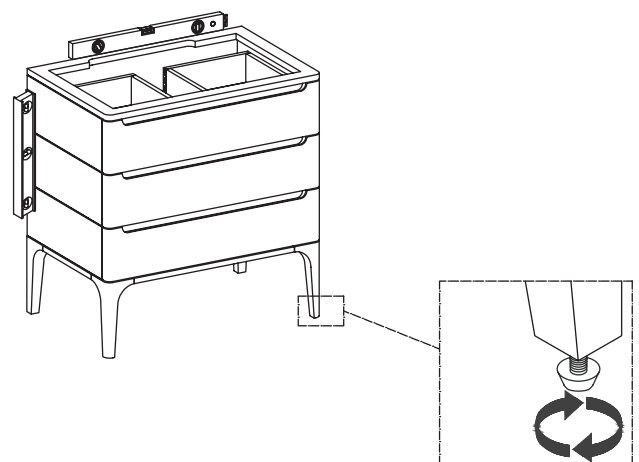
Step 2: Verify the vanity is level.

Step 3: If adjustments are needed, turn the leg levelers counter-clockwise or clockwise.

See Figure 1.

Step 4: It is highly recommended to attach the vanity to the wall using wood screws to prevent vanity from shifting over time.

Figure 1.



Model : E010228

Designed By: PHOENIX DESIGN | GERMANY

INSTALLING THE SINKTOP

Step 1: Clean the top surface of the vanity with a clean damp cloth.

Ensure the surface is completely dry before applying the silicone.

Apply a thin bead of silicone around the top surface.

See Figure 2.

Step 2: Place the sinktop on the vanity.

Clean any excess silicone immediately.

Follow the directions on the silicone to allow for ample drying time.

Step 3: To install the plumbing the drawers would need to be removed.

Refer to page 4 to remove / re-install the drawer.

Install the faucet and drain per the manufacturers instructions.

Step 4: Place the optional ceramic drain cover over the drain.

See Figure 3.

Figure 2.

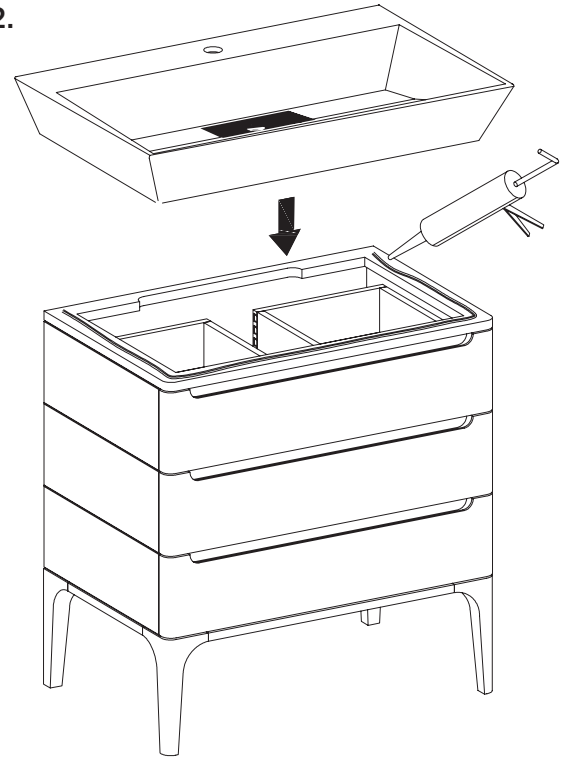


Figure 3.



Model : E010228

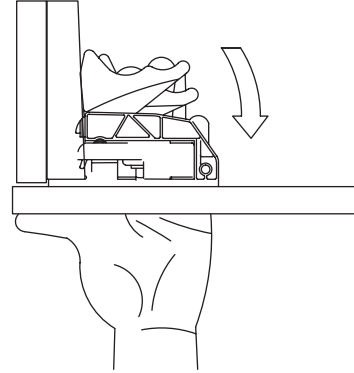
Designed By: PHOENIX DESIGN | GERMANY

REMOVE DRAWER

Step 1: Pull the release latches located underneath the drawer.

See Figure 4.

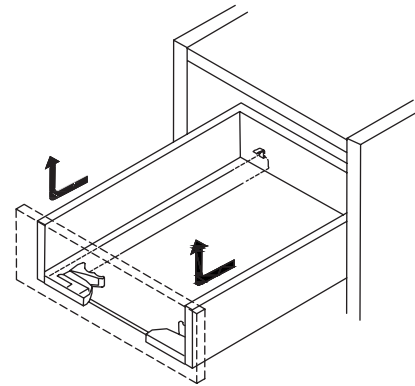
Figure 4.



Step 2: Slide and lift up the drawer box.

See Figure 5.

Figure 5.

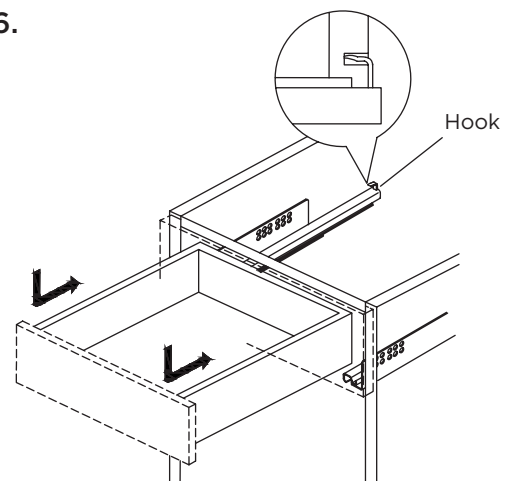


REINSTALL DRAWER

Step 1: Slide drawer box in until secured by rail hook.

See Figure 6.

Figure 6.



<https://youtu.be/4DdK3cj3sTU>

Model : E010228Designed By: **PHOENIX DESIGN | GERMANY**

PRODUCT CARE AND MAINTENANCE

The fine furniture finish of your new vanity, mirror or other bathroom accessories are designed to protect against normal home use. With proper care, your product will provide years of use and beauty in your home.

General Care Tips

- Test cleaning product on small, discrete area prior to applying to entire surface.
- Wipe surfaces frequently with dry, soft, non-abrasive and lint-free towel.
- Do not allow liquids and moisture to accumulate on the surface of products.
- For warranty information, please visit our website at www.ronbow.com or contact the Customer Service Department at (510) 713-1188.

Wood Surfaces

- If a spill occurs, clean and dry the surface immediately as liquid can soak through the surface and cause greater damage.
- Do not place in direct sunlight. Exposure to sunlight may affect the appearance of your vanity, and the finish will eventually crack.
- Keep away from direct sources of extreme temperatures as heat, cold or moisture from humidity. Color changes, or blemishes in the wood can occur if recommended care of is not met. Try to avoid these extremes.
- Most wood surfaces can be cleaned, or dusted, with any commercial wood cleaning product. For general cleaning, use a non-abrasive, or lint-free cloth while dusting along the wood grain to preserve the wood's characteristics.

Recommended Products

- Pledge Orange Oil, or similar
- Orange-Glo Wood Cleaner

DISCLAIMERS: Wood naturally ages, darkens and changes color over time due to several environmental conditions that may cause materials to vary from their original color and/or to warp, split or crack. These variations are considered to be the nature of the material in relation to their environmental exposure and may be significant over a long period of time. The effectiveness of cleaning Ronbow product is dependant on various factors that include sunlight, smoke, moisture, household cleaners and/or amount of cleaning product used over time. Ronbow cannot guarantee that the above Product Care & Maintenance methods will effectively clean your product.

RONBOW

40650 Encyclopedia Circle
Fremont, CA 94538

T 510.713.1188
F 510.657.9388

ronbow.eu | ronbow.com