

SIGNATURE SERIES

by RONBOW

INSTALLATION AND CARE GUIDE

40" VENTO VERTICAL WALL CABINET

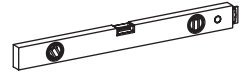
E097014

Model : E097014

Designed By: PININFARINA | ITALY

PRE-INSTALLATION

Tools Required



Materials Included

- 4 long screws
- 1 set of wall cleats

Materials Required

- 2 2x4 beam cut to size

Model : E097014

Designed By: PININFARINA | ITALY

INSTALLATION

Step 1: Determine the ideal location of your new wall cabinet.

NOTE: The location should have at least 2 studs available. Front notch the studs to fit 2x4 beams that will provide stability for the wall cleats.

Step 2: Drill pilot holes where the top wall cleat will go. Measure 29-3/4" (75.5cm) from each pilot hole down and mark the location of the pilot holes for the bottom wall cleat.

Make sure the pilot holes are level.

Step 3: Secure each wall cleat to the wall with the screws provided.

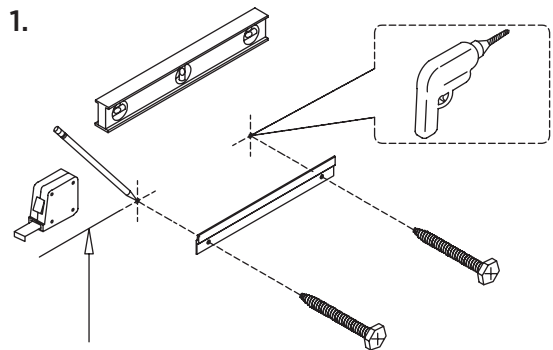
See Figure 1.

Step 4: Secure the cleat in the back of the cabinet to the wall cleat.

Check if the wall cabinet is level.

See Figure 2.

Figure 1.



29-3/4" (75.5cm)

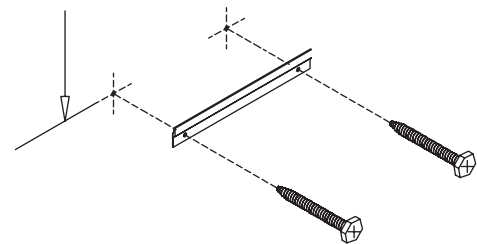
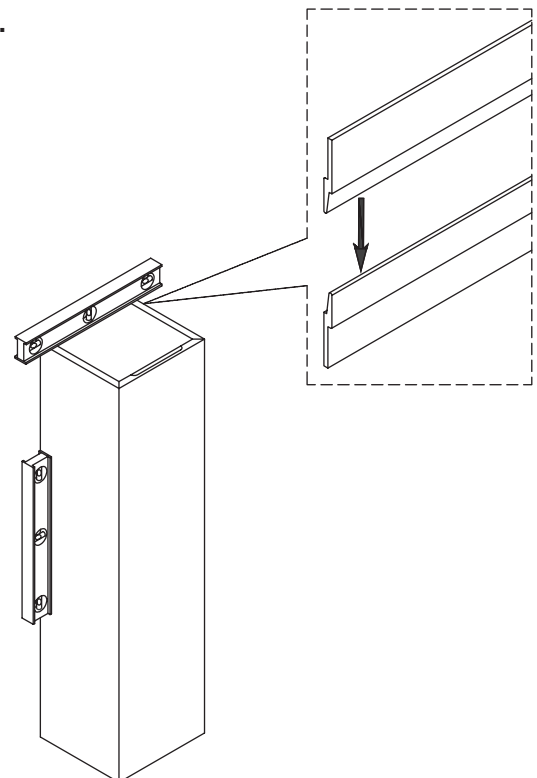


Figure 2.



Model : E097014

Designed By: PININFARINA | ITALY

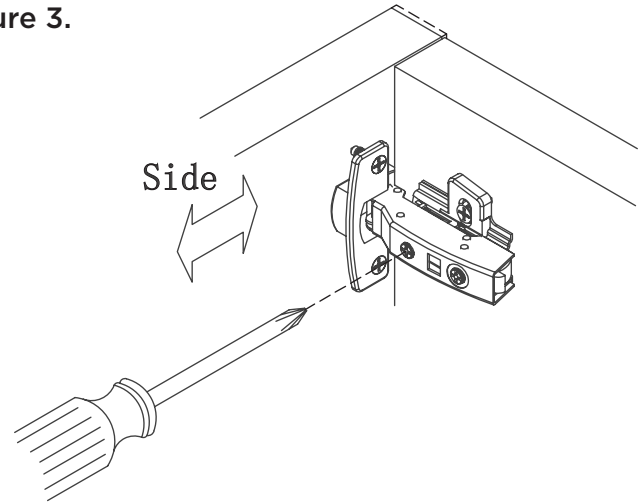
ADJUST DOOR HINGE

Side to Side

Locate the screw nearest the hinge cup and rotate clockwise or counter-clockwise to move the door from side to side.

See Figure 3.

Figure 3.

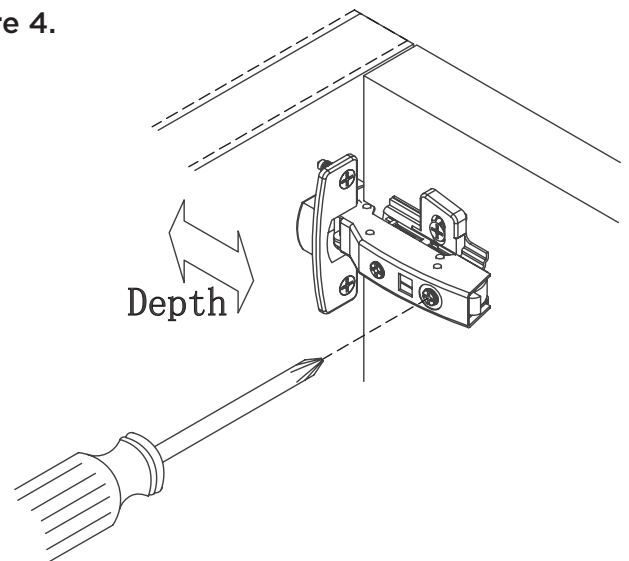


Front to Back

Locate the screw furthest away from the hinge cup and turn the screw clockwise or counter-clockwise to move the door from front to back.

See Figure 4.

Figure 4.

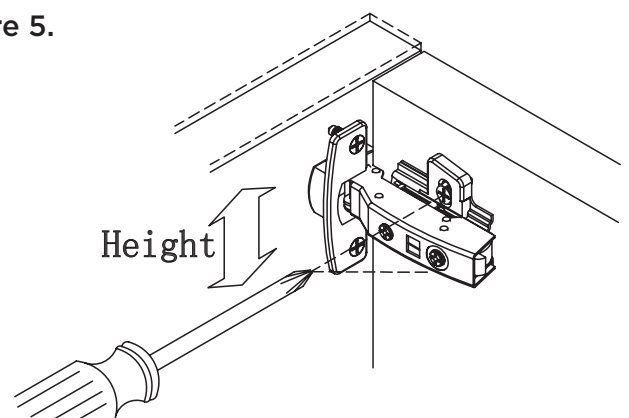


Top to Bottom

Locate the screw pictured in Figure 6. Turn the screw clockwise or counter-clockwise to move the door from top to bottom.

See Figure 5.

Figure 5.



NOTE: When adjusting the door hinges keep in mind to adjust the other hinges.

Model : E097014Designed By: **PININFARINA** | ITALY

PRODUCT CARE AND MAINTENANCE

The fine furniture finish of your new vanity, mirror or other bathroom accessories are designed to protect against normal home use. With proper care, your product will provide years of use and beauty in your home.

General Care Tips

- Install 2x6 backing material behind the finish wall to properly secure the vanity.
- Test cleaning product on small, discrete area prior to applying to entire surface.
- Wipe surfaces frequently with dry, soft, non-abrasive and lint-free towel.
- Do not allow liquids and moisture to accumulate on the surface of products.
- For warranty information, please visit our website at www.ronbow.com or contact the Customer Service Department at (510) 713-1188.

Wood Surfaces

- If a spill occurs, clean and dry the surface immediately as liquid can soak through the surface and cause greater damage.
- Do not place in direct sunlight. Exposure to sunlight may affect the appearance of your vanity, and the finish will eventually crack.
- Keep away from direct sources of extreme temperatures as heat, cold or moisture from humidity. Color changes, or blemishes in the wood can occur if recommended care of is not met. Try to avoid these extremes.
- Most wood surfaces can be cleaned, or dusted, with any commercial wood cleaning product. For general cleaning, use a non-abrasive, or lint-free cloth while dusting along the wood grain to preserve the wood's characteristics.

Recommended Products

- Pledge Orange Oil, or similar
- Orange-Glo Wood Cleaner

DISCLAIMERS: Wood naturally ages, darkens and changes color over time due to several environmental conditions that may cause materials to vary from their original color and/or to warp, split or crack. These variations are considered to be the nature of the material in relation to their environmental exposure and may be significant over a long period of time. The effectiveness of cleaning Ronbow product is dependant on various factors that include sunlight, smoke, moisture, household cleaners and/or amount of cleaning product used over time. Ronbow cannot guarantee that the above Product Care & Maintenance methods will effectively clean your product.

RONBOW

40650 Encyclopedia Circle
Fremont, CA 94538

T 510.713.1188
F 510.657.9388

ronbow.eu | ronbow.com