

SIGNATURE SERIES

by RONBOW

INSTALLATION AND CARE GUIDE

30" VENTO LED MIRROR
E095613

Model : E095613

Designed By: PININFARINA | ITALY

PRE-INSTALLATION

Tools Required

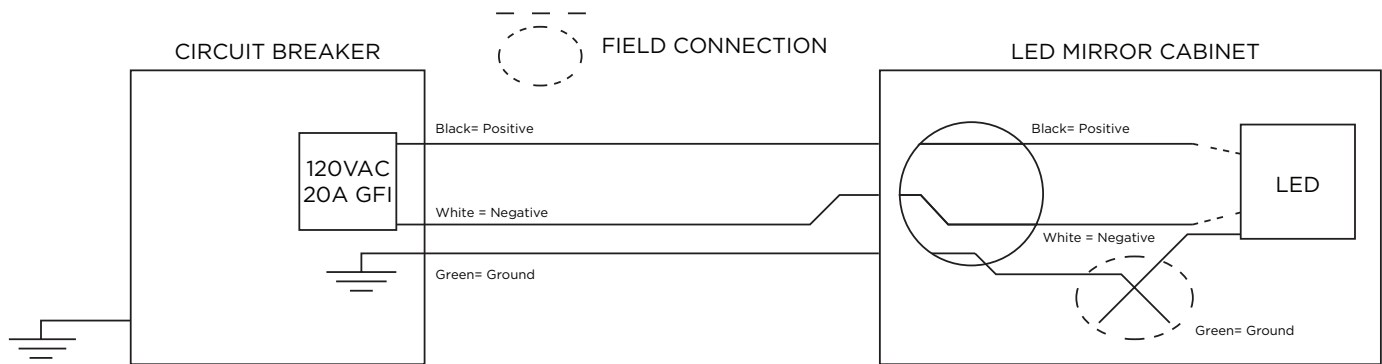


ALL WIRING SHOULD BE DONE BY A QUALIFIED LICENSED ELECTRICIAN.

WARNING: To reduce the risk of electrical shock, shut off power before wiring the cabinet.

CAUTION: Requires 120V 20AMP circuit.

CAUTION: The LED mirror must be wired to a GFI (ground fault interrupter) circuit breaker when used in bathrooms and all other locations required by the national electric code.



Materials Included

- 4 long screws
- 1 set of wall cleats

Materials Required

- 1 2x4 beam
- 1 electrical box
- 3 wire nuts

Model : E095613

Designed By: PININFARINA | ITALY

INSTALLATION

Step 1: Determine the ideal location of your new mirror. Make sure mirror has enough clearance from faucet and ceiling.

See Figure 1.

Step 2: Determine the location of wall cleats.

Make sure to use the leveling tool to ensure the pilot holes are level.

Drill pilot holes into the wall.

NOTE: It is highly recommended to include a 2x4 horizontal beam between 2 studs to add stability. Front notch the 2 studs and place the 2x4 beam between the studs.

See Figure 2.

Step 3: Fasten the screws provided into the wall to secure the wall cleat.

Figure 1.

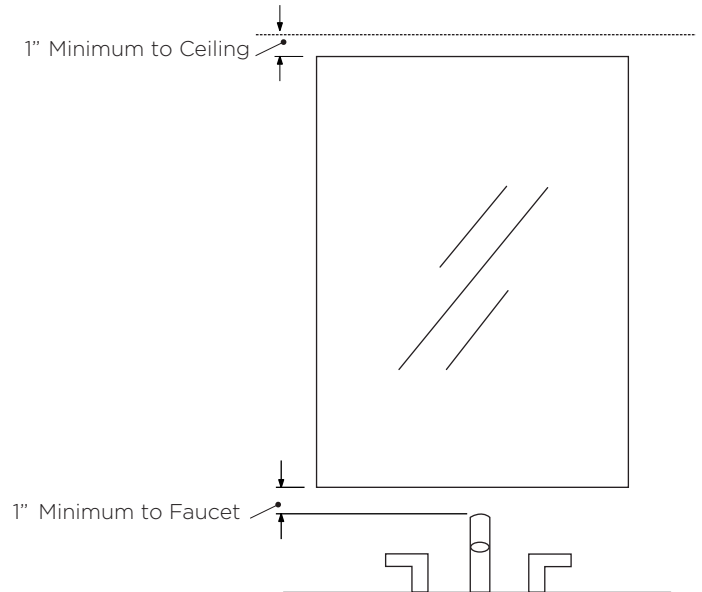
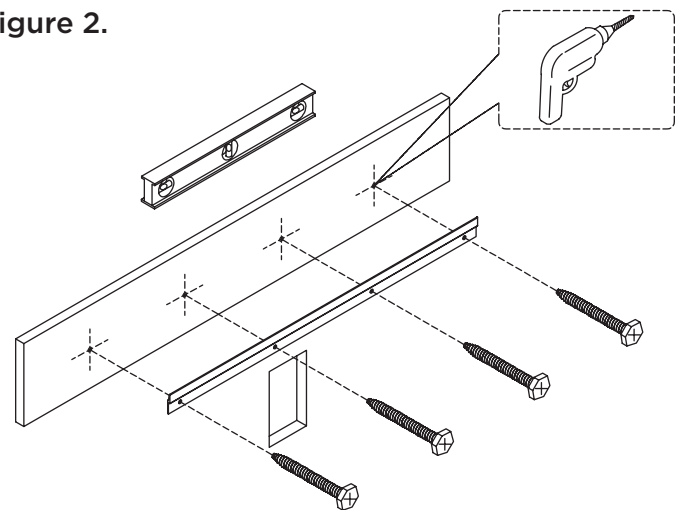


Figure 2.



Model : E095613

Designed By: PININFARINA | ITALY

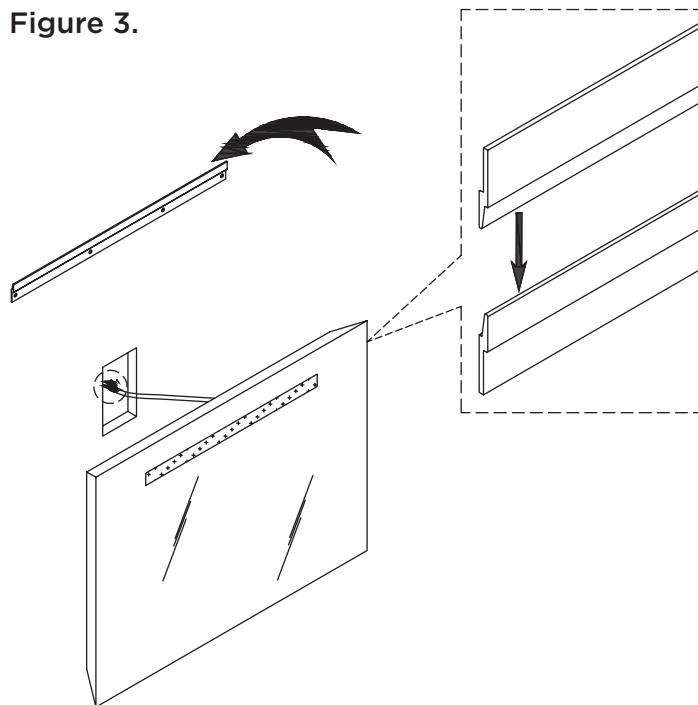
Step 4: Cut an opening in the wall and connect the electrical wires to the housing.

NOTE: Run electrical wires to the opening. An electrical box is recommended inside the opening.

See Figure 3.

Step 5: Secure the cleats in the back of the mirror to the wall cleat. Hide all wires in the opening.

Figure 3.



Model : E095613Designed By: **PININFARINA** | ITALY

PRODUCT CARE AND MAINTENANCE

The fine furniture finish of your new vanity, mirror or other bathroom accessories are designed to protect against normal home use. With proper care, your product will provide years of use and beauty in your home.

General Care Tips

- Test cleaning product on small, discrete area prior to applying to entire surface.
- Wipe surfaces frequently with dry, soft, non-abrasive and lint-free towel.
- Do not allow liquids and moisture to accumulate on the surface of products.
- For warranty information, please visit our website at www.ronbow.com or contact the Customer Service Department at (510) 713-1188.

Wood Surfaces

- If a spill occurs, clean and dry the surface immediately as liquid can soak through the surface and cause greater damage.
- Do not place in direct sunlight. Exposure to sunlight may affect the appearance of your vanity, and the finish will eventually crack.
- Keep away from direct sources of extreme temperatures as heat, cold or moisture from humidity. Color changes, or blemishes in the wood can occur if recommended care of is not met. Try to avoid these extremes.
- Most wood surfaces can be cleaned, or dusted, with any commercial wood cleaning product. For general cleaning, use a non-abrasive, or lint-free cloth while dusting along the wood grain to preserve the wood's characteristics.

Recommended Products

- Pledge Orange Oil, or similar
- Orange-Glo Wood Cleaner

DISCLAIMERS: Wood naturally ages, darkens and changes color over time due to several environmental conditions that may cause materials to vary from their original color and/or to warp, split or crack. These variations are considered to be the nature of the material in relation to their environmental exposure and may be significant over a long period of time. The effectiveness of cleaning Ronbow product is dependant on various factors that include sunlight, smoke, moisture, household cleaners and/or amount of cleaning product used over time. Ronbow cannot guarantee that the above Product Care & Maintenance methods will effectively clean your product.

RONBOW

40650 Encyclopedia Circle
Fremont, CA 94538

T 510.713.1188
F 510.657.9388

ronbow.eu | ronbow.com