

# SIGNATURE SERIES

by RONBOW

## INSTALLATION AND CARE GUIDE

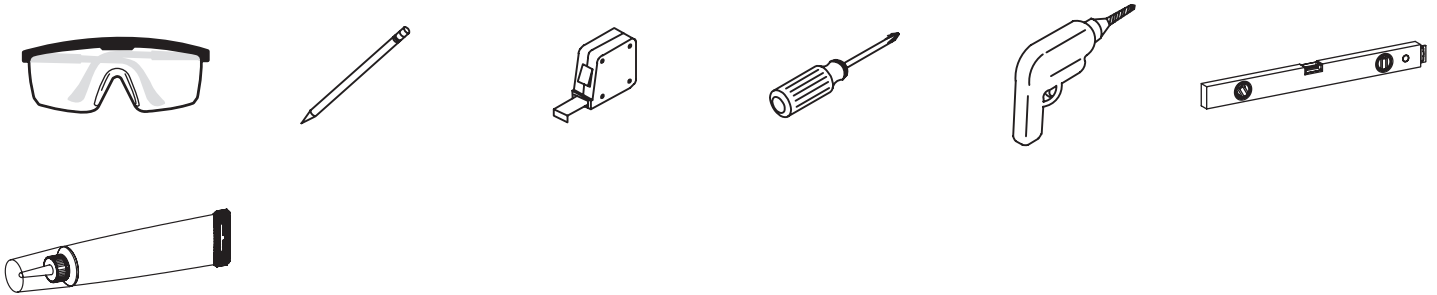
30" VENTO VANITY  
E094130

Model : E094130

Designed By: PININFARINA | ITALY

## PRE-INSTALLATION

### Tools Required



### Materials Included

- 6 long screws
- 6 metal washers
- 6 metal caps
- 2 wall brackets
- 10 wood screws

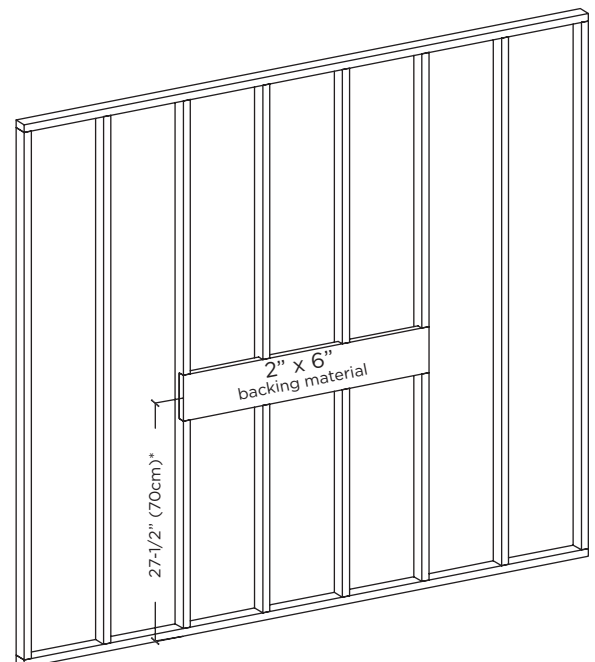
### Materials Required

- 1 2x6 beam cut to size

## INSTALLING SUPPORT FOR THE VANITY

Install 2x6 backing material behind the finished wall to properly secure the vanity.

- To properly secure the vanity, the middle of the required 2x6 backing material must be 27-1/2" (70cm) from the finished floor.
- Extend the backing material beyond the width of the vanity to the nearest stud. This will ensure proper support for the vanity.
- Front-notch the studs to ensure the 2x6 backing material is flush against the studs.
- Secure the 2x6 backing material to the studs with framing nails.
- Rough-in the water supply and drain lines into the rough-in plumbing areas of the vanity.



Model : E094130

Designed By: PININFARINA | ITALY

## INSTALLATION

**Step 1:** Mark the location of the wall brackets.

**Step 2:** The distance of the wall brackets is 28-1/2" (72.4cm).

Verify the markings in step 1 are level.

Drill 5/16" pilot holes, then push the anchors into each pilot hole.

**Step 3:** Place one wall bracket against the wall and fasten the bolts to each anchor. Place the bolt caps over each bolt.

Repeat the installation for the other wall bracket.

**See Figure 1.**

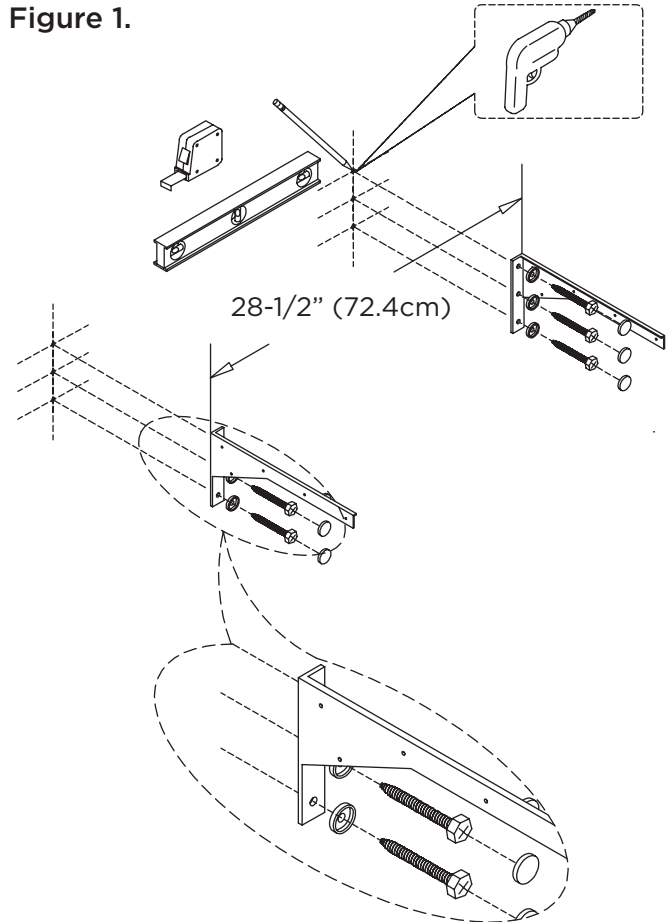
**Step 4:** Remove the drawer from the vanity. Refer to page 5 to remove and install the drawer.

Slide the vanity over the wall brackets.

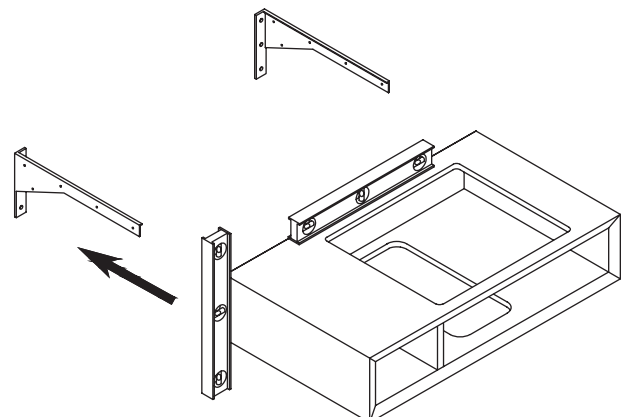
Verify the vanity is level.

**See Figure 2.**

**Figure 1.**



**Figure 2.**



Model : E094130

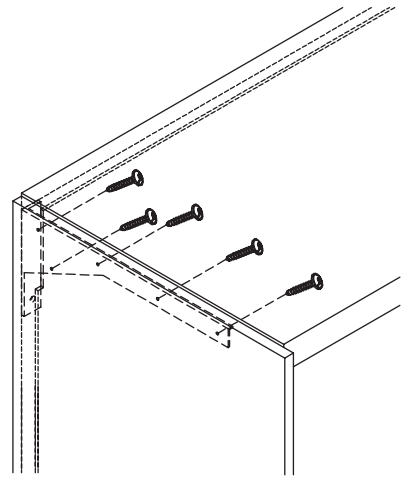
Designed By: PININFARINA | ITALY

**Step 5:** Secure the vanity to the wall bracket using the wood screws provided.

Each bracket requires five wood screws.

**See Figure 3.**

**Figure 3.**



Model : E094130

Designed By: PININFARINA | ITALY

## INSTALLING THE SINKTOP

**Step 1:** Clean the top surface of the vanity with a damp cloth.

Apply a thin bead of silicone where the vanity top will sit on the vanity.

**See Figure 4.**

**Step 2:** Place the vanity top on the vanity.

Verify the top is level with the vanity.

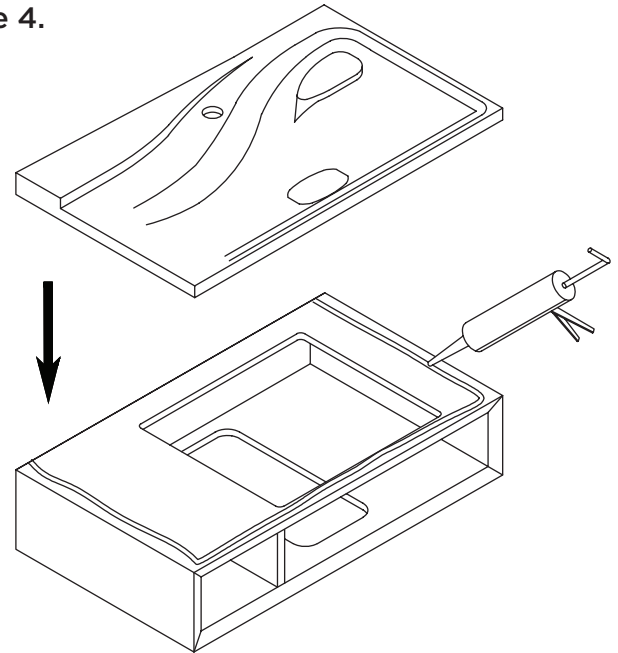
The pressure of the vanity top will cause the silicone to spread. Clean off any excess silicone with a damp cloth immediately.

**Step 3:** Install the faucet and drain per manufacturer's instructions.

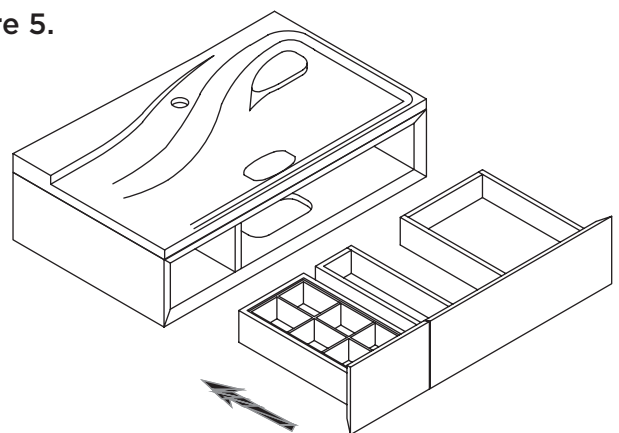
Attach the drawer to the vanity by following the instructions on page 5.

**See Figure 5.**

**Figure 4.**



**Figure 5.**



Model : E094130

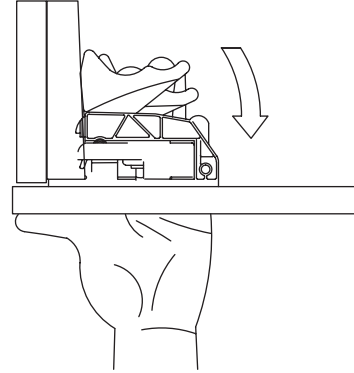
Designed By: PININFARINA | ITALY

## REMOVE DRAWER

**Step 1:** Pull the release latches located underneath the drawer.

See Figure 6.

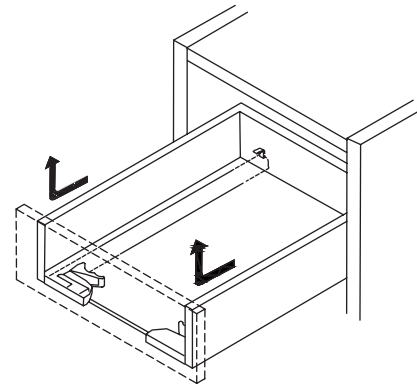
Figure 6.



**Step 2:** Slide and lift up the drawer box.

See Figure 7.

Figure 7.

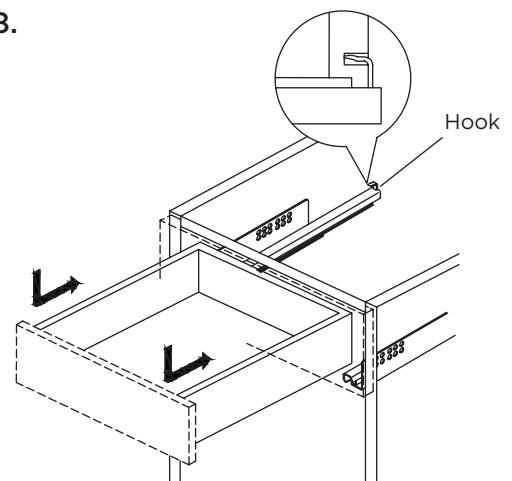


## REINSTALL DRAWER

**Step 1:** Slide drawer box in until secured by rail hook.

See Figure 8.

Figure 8.



<https://youtu.be/4DdK3cj3sTU>

Model : E094130

Designed By: PININFARINA | ITALY

## PRODUCT CARE AND MAINTENANCE

The fine furniture finish of your new vanity, mirror or other bathroom accessories are designed to protect against normal home use. With proper care, your product will provide years of use and beauty in your home.

### General Care Tips

- Install 2x6 backing material behind the finish wall to properly secure the vanity.
- Test cleaning product on small, discrete area prior to applying to entire surface.
- Wipe surfaces frequently with dry, soft, non-abrasive and lint-free towel.
- Do not allow liquids and moisture to accumulate on the surface of products.
- For warranty information, please visit our website at [www.ronbow.com](http://www.ronbow.com) or contact the Customer Service Department at (510) 713-1188.

### Wood Surfaces

- If a spill occurs, clean and dry the surface immediately as liquid can soak through the surface and cause greater damage.
- Do not place in direct sunlight. Exposure to sunlight may affect the appearance of your vanity, and the finish will eventually crack.
- Keep away from direct sources of extreme temperatures as heat, cold or moisture from humidity. Color changes, or blemishes in the wood can occur if recommended care of is not met. Try to avoid these extremes.
- Most wood surfaces can be cleaned, or dusted, with any commercial wood cleaning product. For general cleaning, use a non-abrasive, or lint-free cloth while dusting along the wood grain to preserve the wood's characteristics.

### Recommended Products

- Pledge Orange Oil, or similar
- Orange-Glo Wood Cleaner

**DISCLAIMERS:** Wood naturally ages, darkens and changes color over time due to several environmental conditions that may cause materials to vary from their original color and/or to warp, split or crack. These variations are considered to be the nature of the material in relation to their environmental exposure and may be significant over a long period of time. The effectiveness of cleaning Ronbow product is dependant on various factors that include sunlight, smoke, moisture, household cleaners and/or amount of cleaning product used over time. Ronbow cannot guarantee that the above Product Care & Maintenance methods will effectively clean your product.

# RONBOW

40650 Encyclopedia Circle  
Fremont, CA 94538

T 510.713.1188  
F 510.657.9388

[ronbow.eu](http://ronbow.eu) | [ronbow.com](http://ronbow.com)