

SIGNATURE SERIES

by RONBOW

INSTALLATION AND CARE GUIDE

UNITY LED MIRROR CABINET

E045612

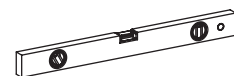
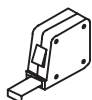
E045614

Model : E045612
E045614

Designed By: **KURZ KURZ DESIGN** | GERMANY

PRE-INSTALLATION

Tools Required

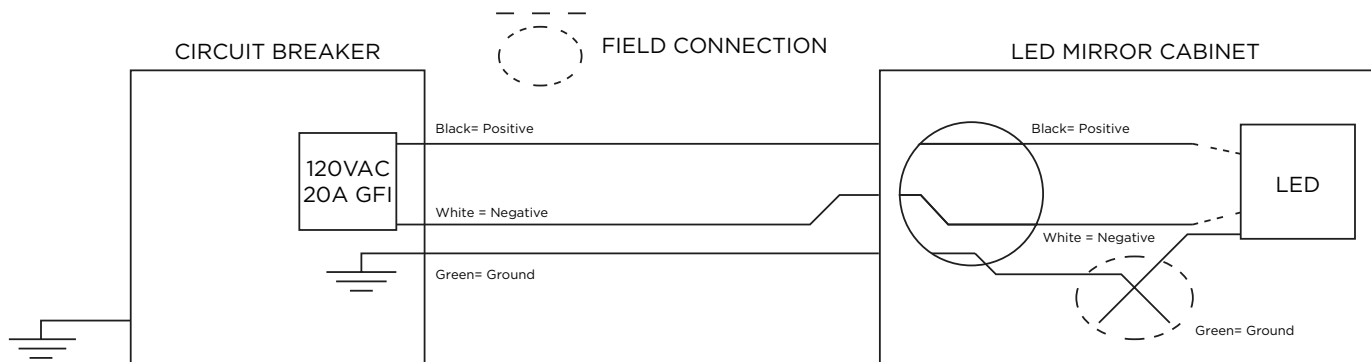


ALL WIRING SHOULD BE DONE BY A QUALIFIED LICENSED ELECTRICIAN.

WARNING: To reduce the risk of electrical shock, shut off power before wiring the cabinet.

CAUTION: Requires 120V 20AMP circuit.

CAUTION: The LED mirror must be wired to a GFI (ground fault interrupter) circuit breaker when used in bathrooms and all other locations required by the national electric code.



Materials Included

- 1 reflector
- 1 set of wall cleats
- 4 long screws

Materials Required

- 1 2x4 beam
- 1 electrical box
- 3 wire nuts

Model : **E045612**
E045614

Designed By: **KURZ KURZ DESIGN** | GERMANY

INSTALLATION

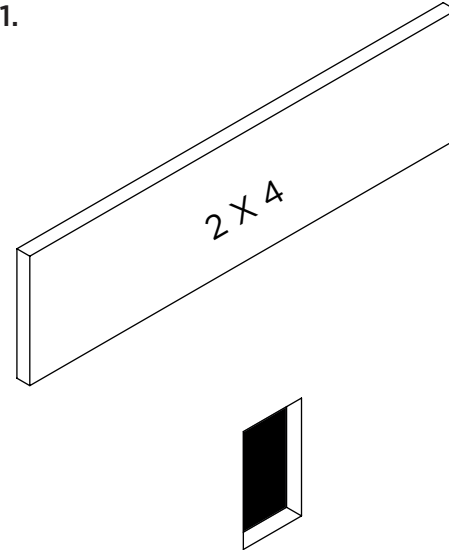
Step 1: Determine the ideal location of your new LED mirror.

Mark the locations for the long screws to hang the wall cleat.

NOTE: It is highly recommended the location has at least two studs. Front notch the studs to install a 2x4 horizontal beam for added stability.

See Figure 1.

Figure 1.



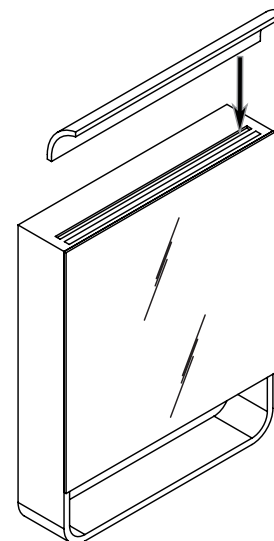
Step 2: Cut an opening in the wall and connect the electrical wires to the housing.

NOTE: Run electrical wires to the opening. An electrical box is recommended inside the opening.

Step 3: Install the reflector to the top of the mirror cabinet.

See Figure 2.

Figure 2.



Model : E045612
E045614

Designed By: **KURZ KURZ DESIGN** | GERMANY

Step 4: Fasten the wall cleat to the wall using the 4 long screws.

See Figure 3.

Step 5: Connect the wires to the electrical box.

See Figure 4.

Step 6: Carefully lift and place the mirror cabinet on the wall cleat.

Verify the cabinet is level.

See Figure 5.

Figure 3.

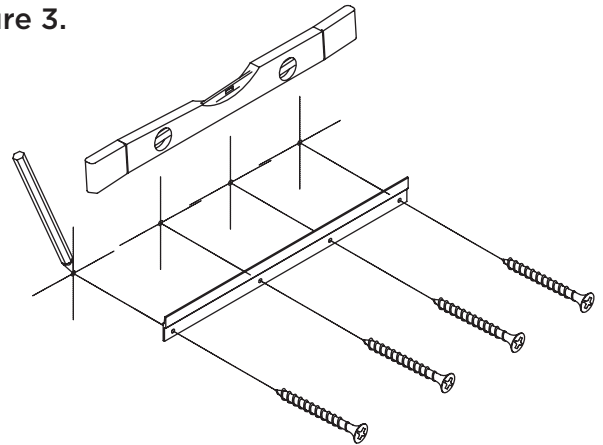


Figure 4.

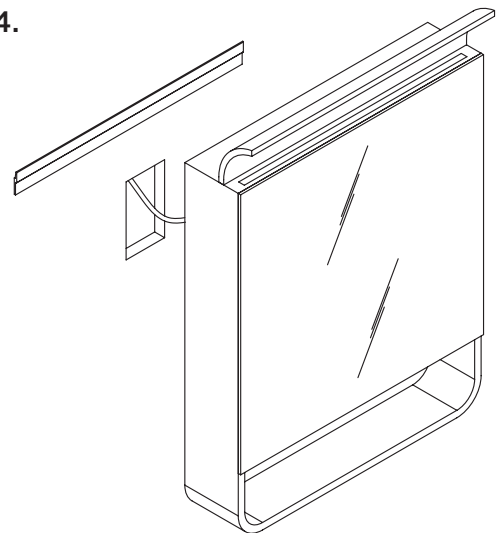
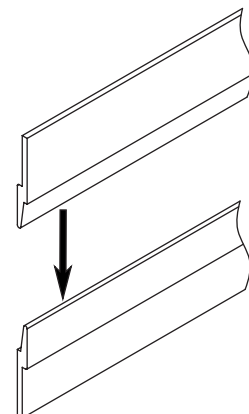


Figure 5.



Model : E045612
E045614

Designed By: **KURZ KURZ DESIGN** | GERMANY

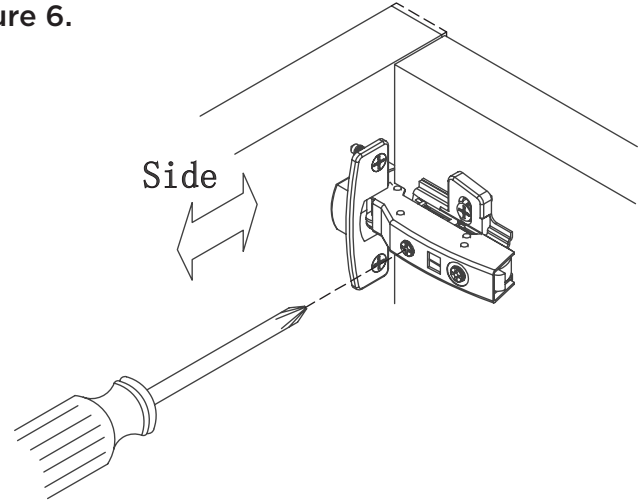
ADJUST DOOR HINGE

Side to Side

Locate the screw nearest the hinge cup and rotate clockwise or counter-clockwise to move the door from side to side.

See Figure 6.

Figure 6.

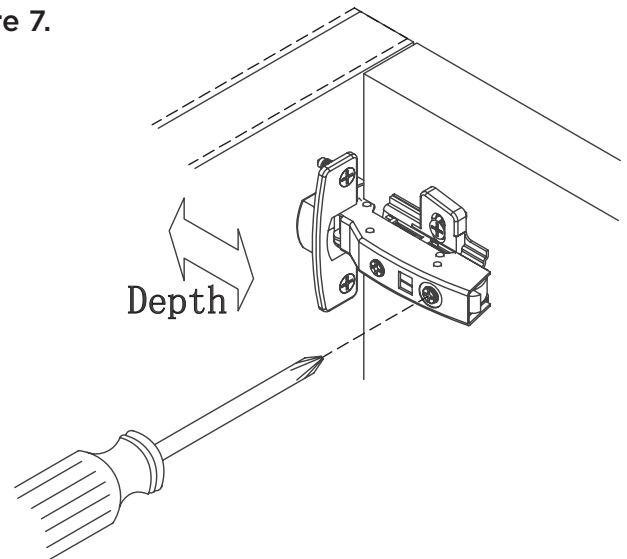


Front to Back

Locate the screw furthest away from the hinge cup and turn the screw clockwise or counter-clockwise to move the door from front to back.

See Figure 7.

Figure 7.

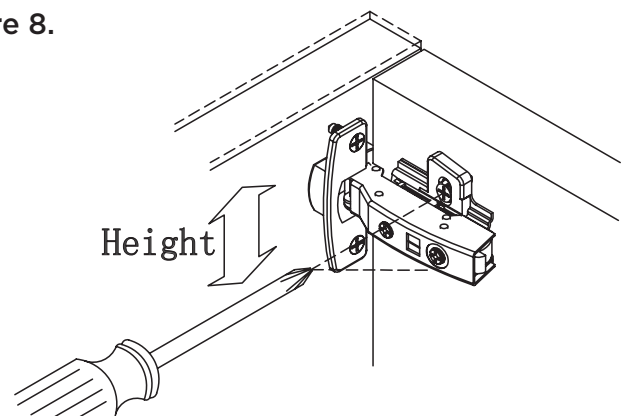


Top to Bottom

Locate the screw pictured in Figure 6. Turn the screw clockwise or counter-clockwise to move the door from top to bottom.

See Figure 8.

Figure 8.



NOTE: When adjusting the door hinges keep in mind to adjust the other hinges.

Model : E045612
E045614Designed By: **KURZ KURZ DESIGN** | GERMANY

PRODUCT CARE AND MAINTENANCE

The fine furniture finish of your new vanity, mirror or other bathroom accessories are designed to protect against normal home use. With proper care, your product will provide years of use and beauty in your home.

General Care Tips

- Test cleaning product on small, discrete area prior to applying to entire surface.
- Wipe surfaces frequently with dry, soft, non-abrasive and lint-free towel.
- Do not allow liquids and moisture to accumulate on the surface of products.
- For warranty information, please visit our website at www.ronbow.com or contact the Customer Service Department at (510) 713-1188.

Wood Surfaces

- If a spill occurs, clean and dry the surface immediately as liquid can soak through the surface and cause greater damage.
- Do not place in direct sunlight. Exposure to sunlight may affect the appearance of your vanity, and the finish will eventually crack.
- Keep away from direct sources of extreme temperatures as heat, cold or moisture from humidity. Color changes, or blemishes in the wood can occur if recommended care of is not met. Try to avoid these extremes.
- Most wood surfaces can be cleaned, or dusted, with any commercial wood cleaning product. For general cleaning, use a non-abrasive, or lint-free cloth while dusting along the wood grain to preserve the wood's characteristics.

Recommended Products

- Pledge Orange Oil, or similar
- Orange-Glo Wood Cleaner

DISCLAIMERS: Wood naturally ages, darkens and changes color over time due to several environmental conditions that may cause materials to vary from their original color and/or to warp, split or crack. These variations are considered to be the nature of the material in relation to their environmental exposure and may be significant over a long period of time. The effectiveness of cleaning Ronbow product is dependant on various factors that include sunlight, smoke, moisture, household cleaners and/or amount of cleaning product used over time. Ronbow cannot guarantee that the above Product Care & Maintenance methods will effectively clean your product.

Model : E045612
E045614

Designed By: **KURZ KURZ DESIGN** | GERMANY

Glass Surfaces

- Clean up any spills or liquids immediately. Never allow liquids of any kind to remain on surface as it may form buildup and deposits.
- DO NOT use abrasive brushes, sponges or cleaners as they may scratch and damage the surface.
- Do not use oil or any oil-based cleaners on the glass as this may remove the frosted finish.

DISCLAIMERS: Clear glass will tend to have a greenish tint. This is a natural feature and not a defect. Effectiveness of cleaning your Ronbow products is dependent on various factors that include: water temperature, concentration and/or amounts of cleansers. Because of these many different conditions, Ronbow cannot guarantee that the above Product Care & Maintenance methods will effectively clean your product.

RONBOW

40650 Encyclopedia Circle
Fremont, CA 94538

T 510.713.1188
F 510.657.9388

ronbow.eu | ronbow.com