

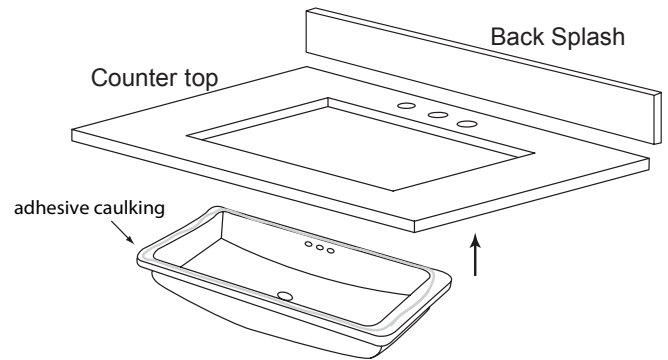
**Model:** 362225 362249 362243 365537 365562  
 362231 362261 365524 365548 365565  
 362237 362273 365532 365559

Countertop

**Step 1 :** Apply adhesive caulking around the topside of rim near the edge, Carefully raise sink in place, align, and press firmly

**See Figure 1.**

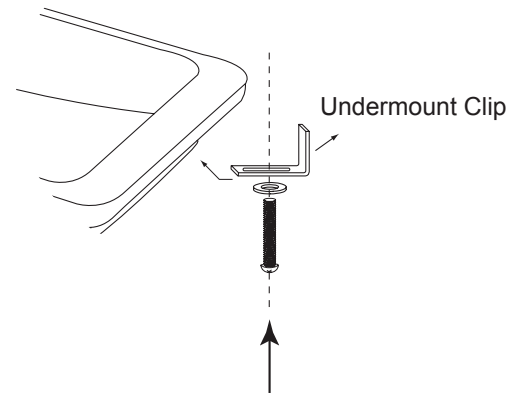
**Figure 1.**



**Step 2 :** Attach 4 undermount-clips to hold lavatory in place

**See Figure 2.**

**Figure 2.**



**Step 3 :** Secure top & back splash to cabinet by using adhesive caulk

**See Figure 3.**

**Figure 3.**

