

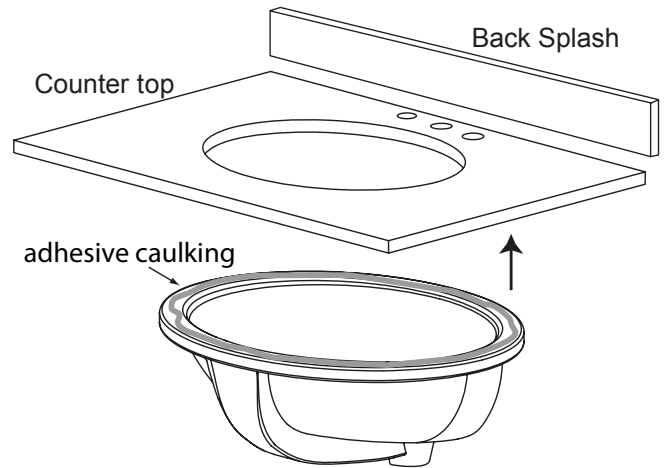
Model: 200513
200555

Under Counter Sinks

Step 1 : Apply adhesive caulking around the topside of rim near the edge, Carefully raise sink in place, align, and press firmly

See Figure 1.

Figure 1.



Step 2 : Attach 4 undermount-clips to hold lavatory in place

See Figure 2.

Figure 2.

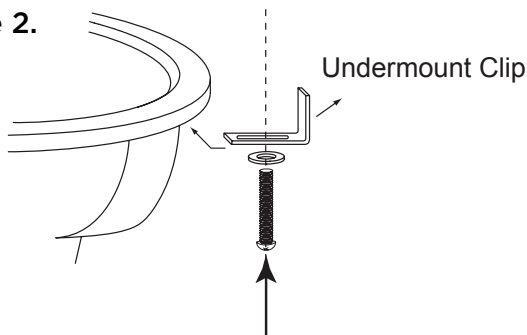
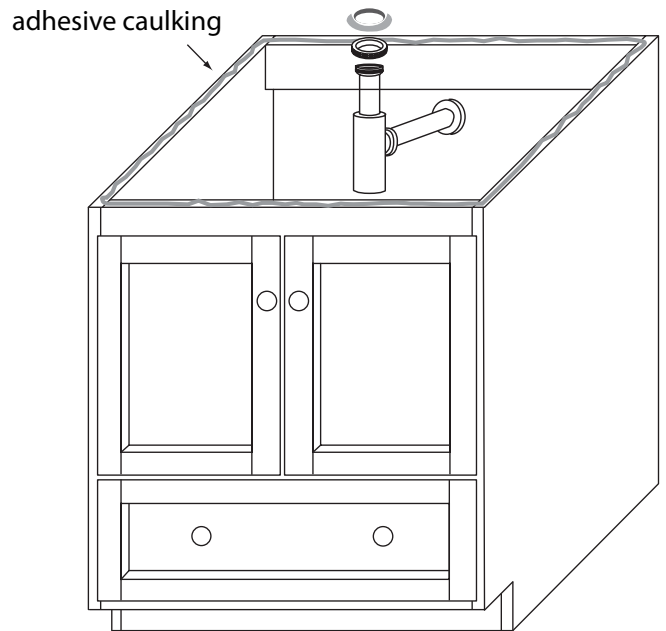


Figure 3.



Step 3 : Secure top & back splash to cabinet by using adhesive caulk

See Figure 3.