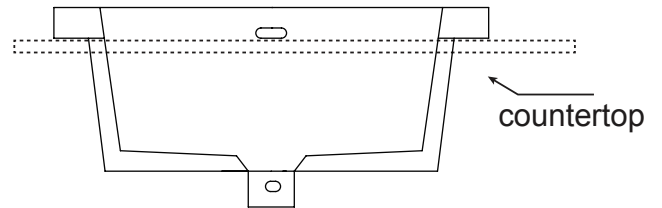


**Step 1 :** Position countertop opening to ensure clearance between the lavatory, faucet, and backsplash. Cut countertop opening and cut-out max 14-1/4" Diameter. Set sink and seal with silicone or caulking

**See Figure 1.**

**Figure 1.**

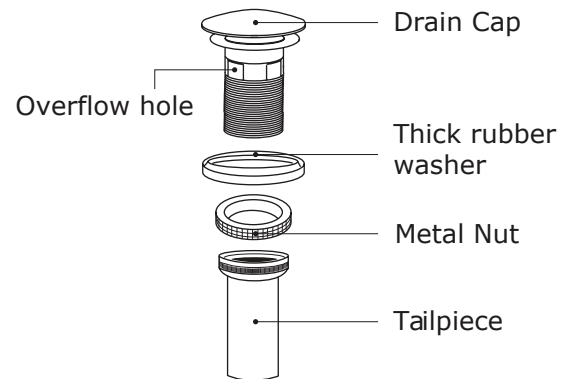


**Step 2 :** Place a generous portion of plumbers' putty under drain cap and insert whole drain body inside the bowl and through the countertop.

(There may be a small beveled rubber washer packaged with your drain, please discard this and use plumbers' putty instead)

**See Figure 2.**

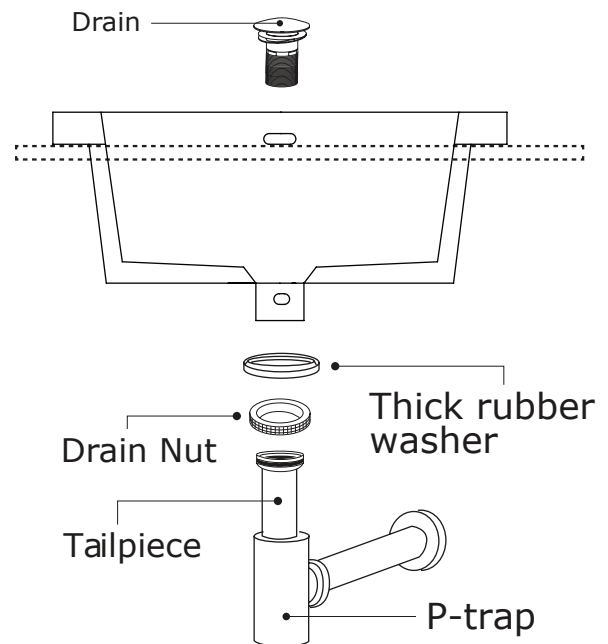
**Figure 2.**



**Step 3 :** From under the drain, insert the thick rubber washer and screw on and tighten the metal nut. Remove excess plumbers' putty

**See Figure 3.**

**Figure 3.**



**Step 4 :** Attach p-trap to tailpiece.