

Note : For Ceramic Sinks with overflow & Faucet Deck

Step 1 : Position countertop opening to ensure clearance between the lavatory, faucet and backsplash. Position and drill a 6" hole in the countertop

See Figure 1.

Step 2 : Place a generous portion of plumbers' putty under drain cap and insert whole drain body inside the bowl and through the countertop

(There may be a small beveled rubber washer packaged with your drain, please discard this and use plumbers' putty instead)

See Figure 2.

Step 3 : From under the drain, insert the thick rubber washer and screw on and tighten the metal nut. Remove excess plumbers' putty

See Figure 3.

Step 4 : Attach p-trap to tailpiece

Figure 1.

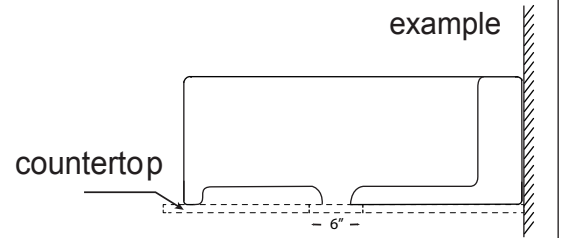


Figure 2.

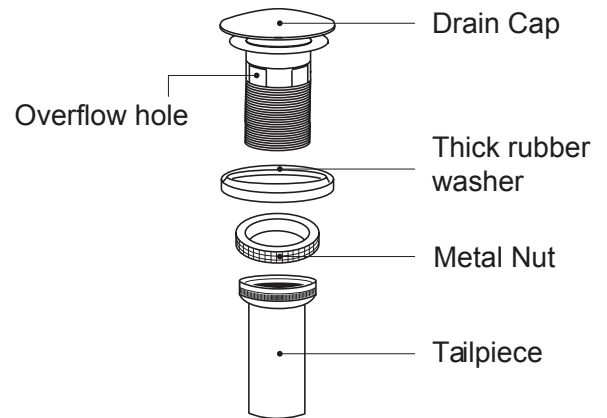


Figure 3.

