

Model: 200102  
200104  
200108

Above Counter Sinks

**Note : For Ceramic Sinks with overflow**

**Step 1 :** Position countertop opening to ensure clearance between the lavatory, faucet and backsplash. Position and drill a 7 inch hole in the countertop

**See Figure 1.**

**Step 2 :** Place a generous portion of plumbers' putty under drain cap and insert whole drain body inside the bowl and through the countertop

(There may be a small beveled rubber washer packaged with your drain, please discard this and use plumbers' putty instead)

**See Figure 2.**

**Step 3 :** From under the drain, insert the thick rubber washer and screw on and tighten the metal nut. Remove excess plumbers' putty

**See Figure 3.**

**Step 4 :** Attach p-trap to tailpiece

Figure 1.

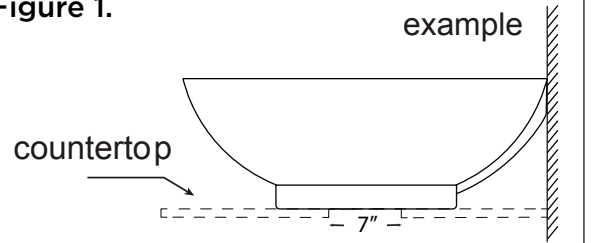


Figure 2.

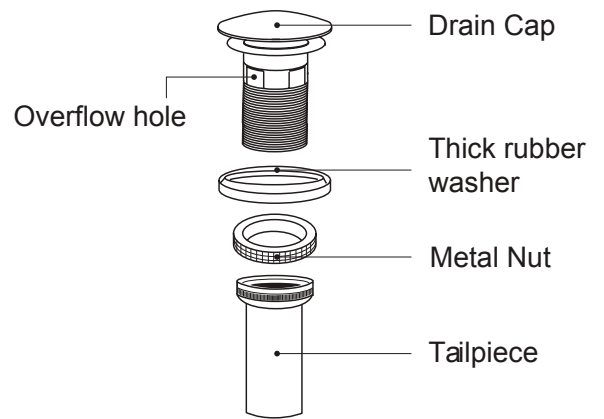


Figure 3.

