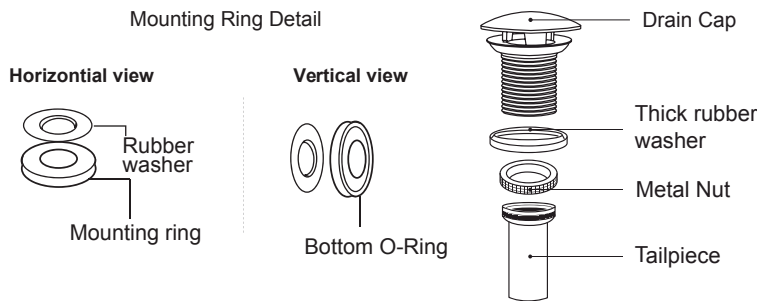
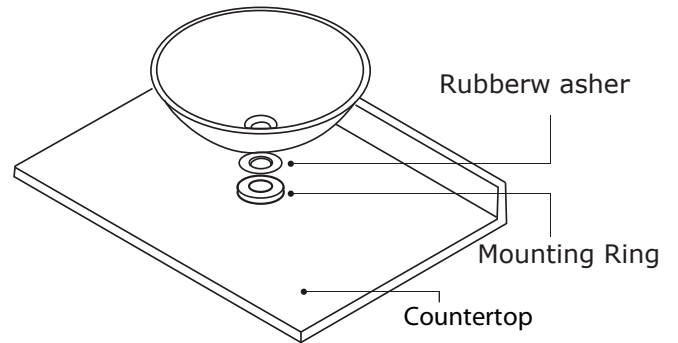


**Model:** 036918

Contempo Collection

**Note :** For installing above counter sink.  
**DO NOT USE** any adhesives with silicone.  
 Silicone will bond to the decorative finish and cause permanent damage.

**Step 1 :** Position and drill a 1-3/4" hole for the drain on the countertop. Place mounting ring under the sink as shown on the right



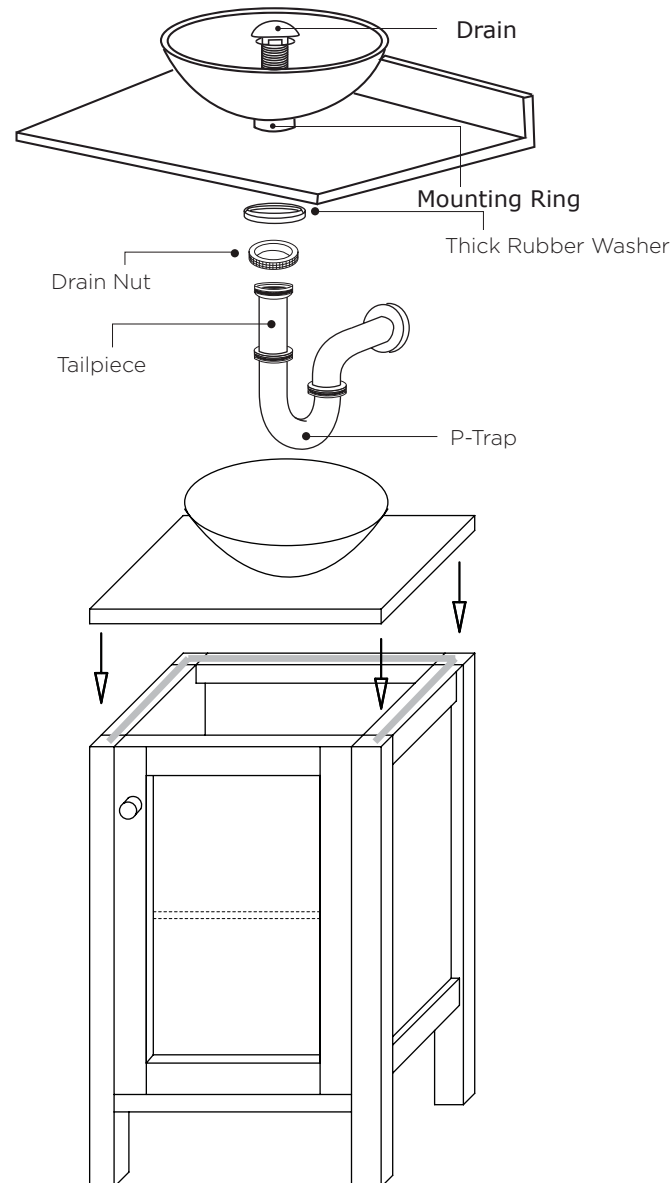
**Step 2 :** Drain assembly picture

Place a generous portion of plumbers' putty under drain cap and insert whole drain body inside the bowl and through the countertop

(There may be a small beveled rubber washer packaged with your drain, please discard this and use plumbers' putty instead)

**Step 3 :** From under the drain, insert the thick rubber washer and screw on and tighten the metal nut. Remove excess plumbers' putty and attach p-trap to tailpiece

**Step 4 :** Secure top & back splash to cabinet by using adhesive caulk



**Model:** 036918

Contempo Collection

**Note :** For installing Ceramic Sinktop

**Step 1 :** Place adhesive around top of cabinet

See Figure 1.

**Step 3 :** Place a generous portion of plumbers' putty under drain cap and insert whole drain body inside the bowl and through the countertop

(There may be a small beveled rubber washer packaged with your drain, please discard this and use plumbers' putty instead)

See Figure 2.

**Step 4 :** From under the drain, insert the thick rubber washer and screw on and tighten the metal nut. Remove excess plumbers' putty

See Figure 3.

**Step 5 :** Attach p-trap to tailpiece

Figure 1.

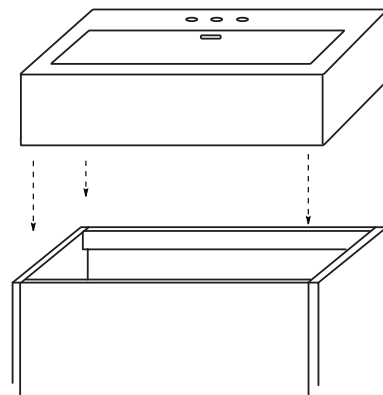


Figure 2.

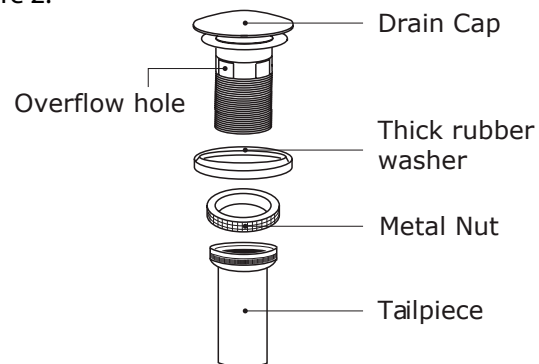


Figure 3.

