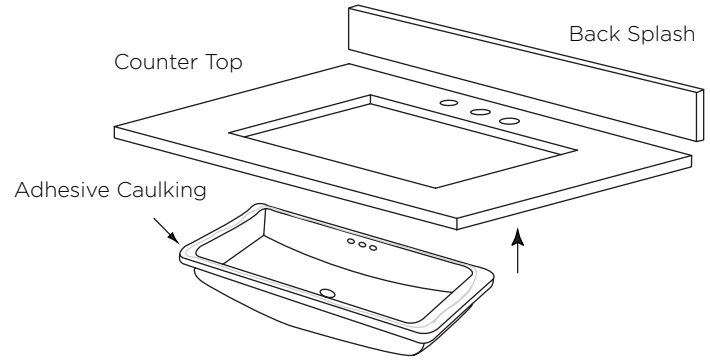


NOTE: For installing under counter sink with counter stop

STEP 1: Apply adhesive caulking around the topside of rim near the edge. Carefully raise sink in place, align, and press firmly

See Figure 1.

Figure 1.



STEP 2: Attach 4 undermount-clips to hold lavatory in place

See Figure 2.

Figure 2.

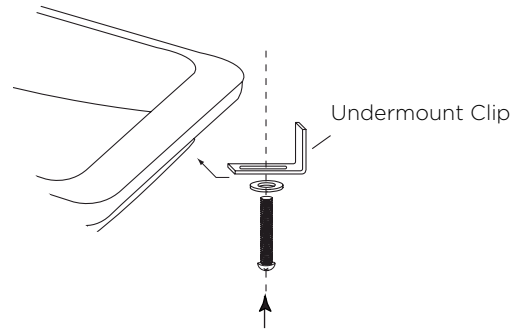
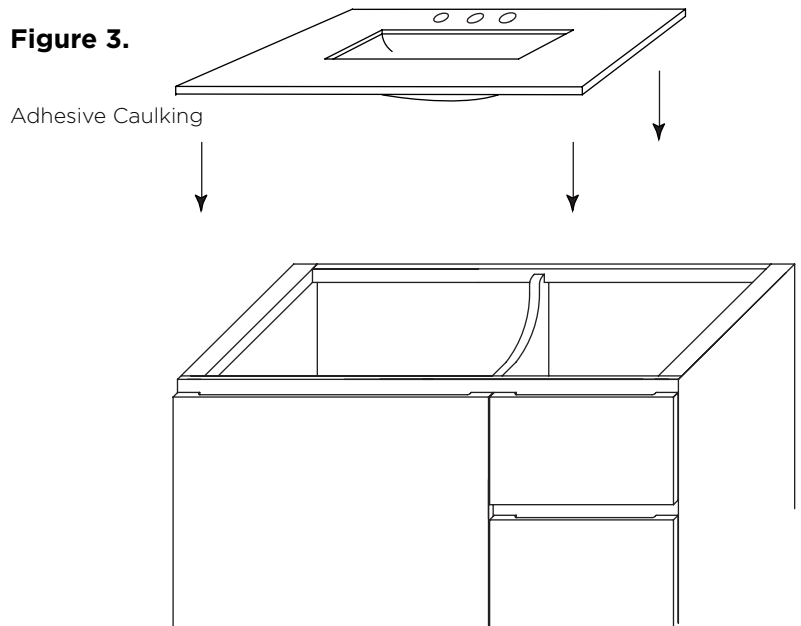


Figure 3.



STEP 3: Secure top & back splash to cabinet by using adhesive caulk

See Figure 3.

NOTE: For installing under counter sink with WideAppeal Top.

STEP 1: DO NOT DISCARD WOODEN INSTALLATION BRACKET!

- Make sure wooden installation bracket is safely secure
- Install under counter sink by following specific sink installation

See Figure 1.

Figure 1.

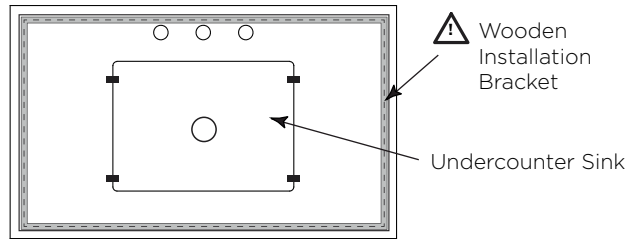


Figure 2.

Adhesive Caulking

STEP 2:

- For best results, clean the mounting surfaces with a dry cleaning cloth
- To prevent over flow of adhesive, use masking tape to tape off the edges of the cabinet and the counter top

STEP 3: Apply adhesive on wood bracket and mounting surfaces of the cabinet

See Figure 2.

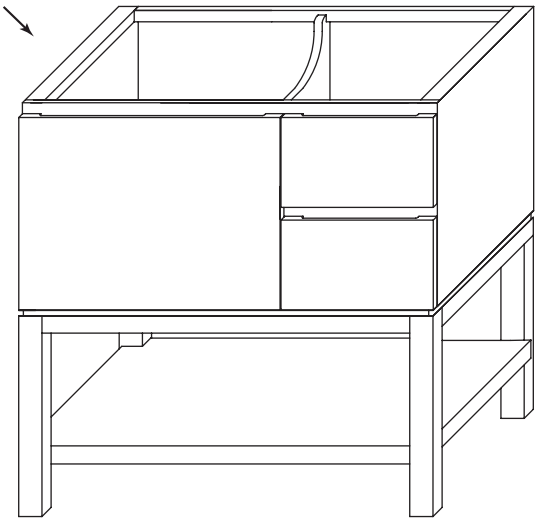


Figure 3.

STEP 4: Carefully place countertop on to the cabinet, align, and press firmly

See Figure 3.

