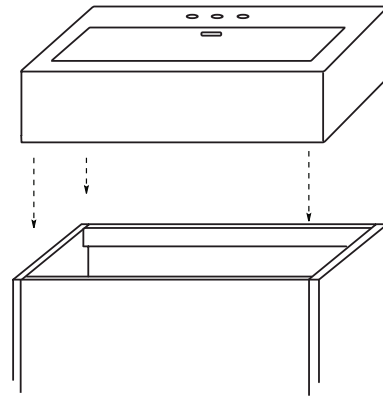


**NOTE:** For installing Ceramic Sinktop.

**STEP 1:** Place adhesive around top of cabinet.

See Figure 1.

**Figure 1.**

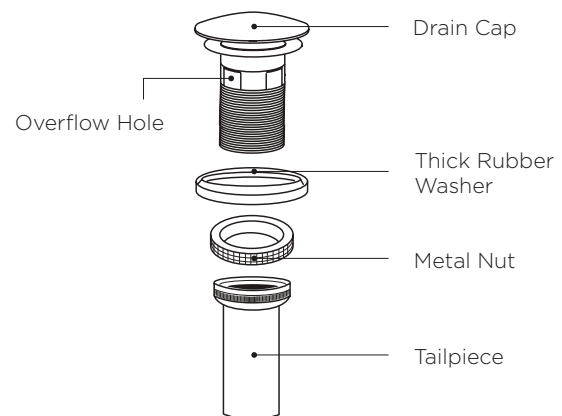


**STEP 2:** Place a generous portion of plumbers' putty under drain cap and insert whole drain body inside the bowl and through the countertop.

(There may be a small beveled rubber washer packaged with your drain, please discard this and use plumbers' putty instead.)

See Figure 2.

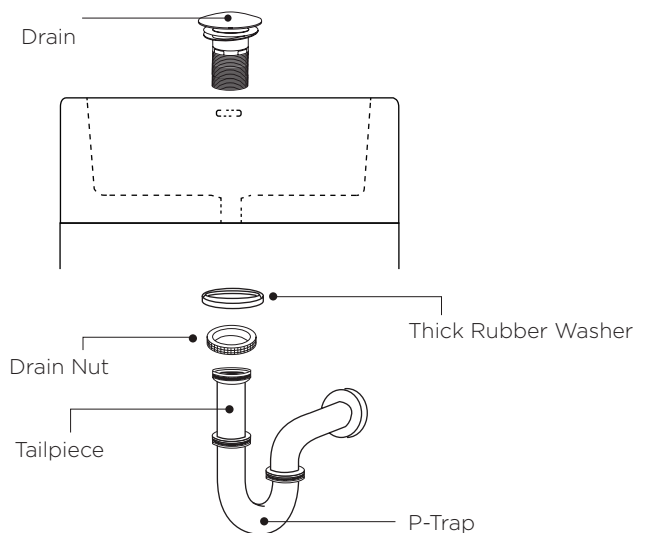
**Figure 2.**



**STEP 3:** From under the drain, insert the thick rubber washer and screw on and tighten the metal nut. Remove excess plumbers' putty.

See Figure 3.

**Figure 3.**



**STEP 4:** Attach p-trap to tailpiece.