



The new degree of comfort.®



Water

Commercial Gas
Tankless Water Heater Systems

Rheem® Commercial Tankless System – Wall Hung

This custom-built tankless solution arrives on the jobsite factory-assembled with single point connections, including:

- RTGH-CM95 Condensing Tankless Water Heaters
- Factory installed system control manifold
- Pre-sized water and gas manifold
- Electrical wiring
- Condensate lines

System Options

- 2-3 tankless units per system

Engineered Solution by Rheem

- Scalable from 11,000 BTU/h to 599,700 BTU/h per system (3 units max per system rack, multiple racks can be linked up to 20 total units or 3,998,000 BTU/h)
- Multiple configurations
- Options for future expansion

Installation Savings

- Reduce installation costs with single point connections

Industry Best Solutions

- Minimum side to side clearances = 1/2 inch (to combustibles)
- Minimum flow rate = 0.26 GPM
- Minimum activation rate = 0.40 GPM
- UL-1738 & ULC-S636 certification on PPs venting accessories

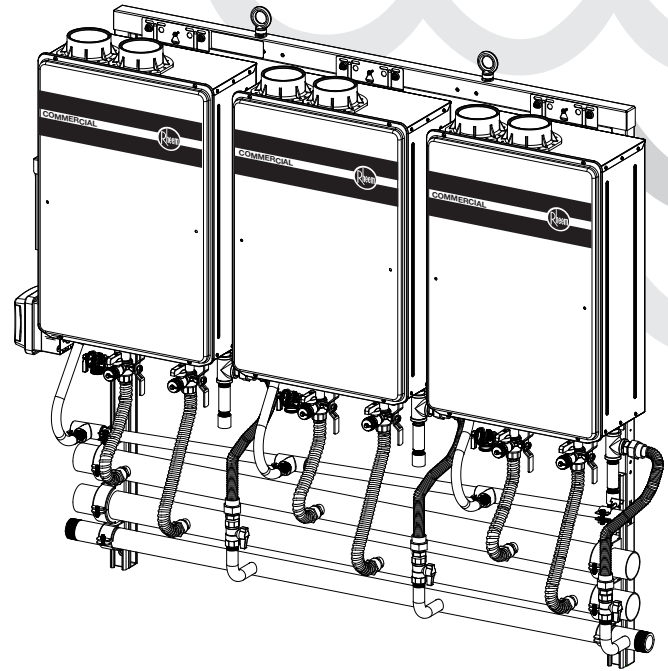
Redundancy

- Modular system allows Isolation to reduce downtime

Warranty

- 5-Year heat exchanger, 5-years parts, 1-year rack parts and 1-year labor warranty*

*See Commercial Warranty Certificate for complete information

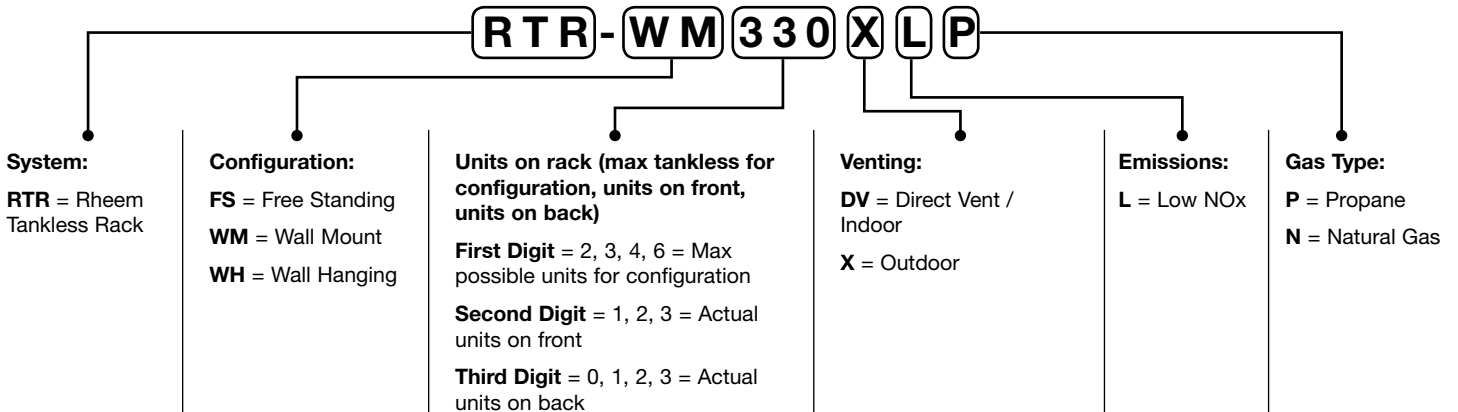


INTEGRATED HOME COMFORT

PRINTED IN U.S.A. 04/18 WP FORM NO. TK-RTRWH

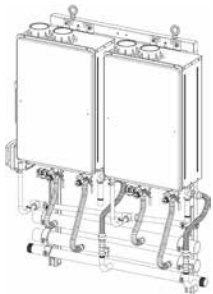
RTR PART NUMBERS AND LAYOUTS

Commercial Tankless System Model Numbers Explained



Wall Hanging Tankless System

Mounts to wall only, can hang any distance above the ground.



See Pages 3-4

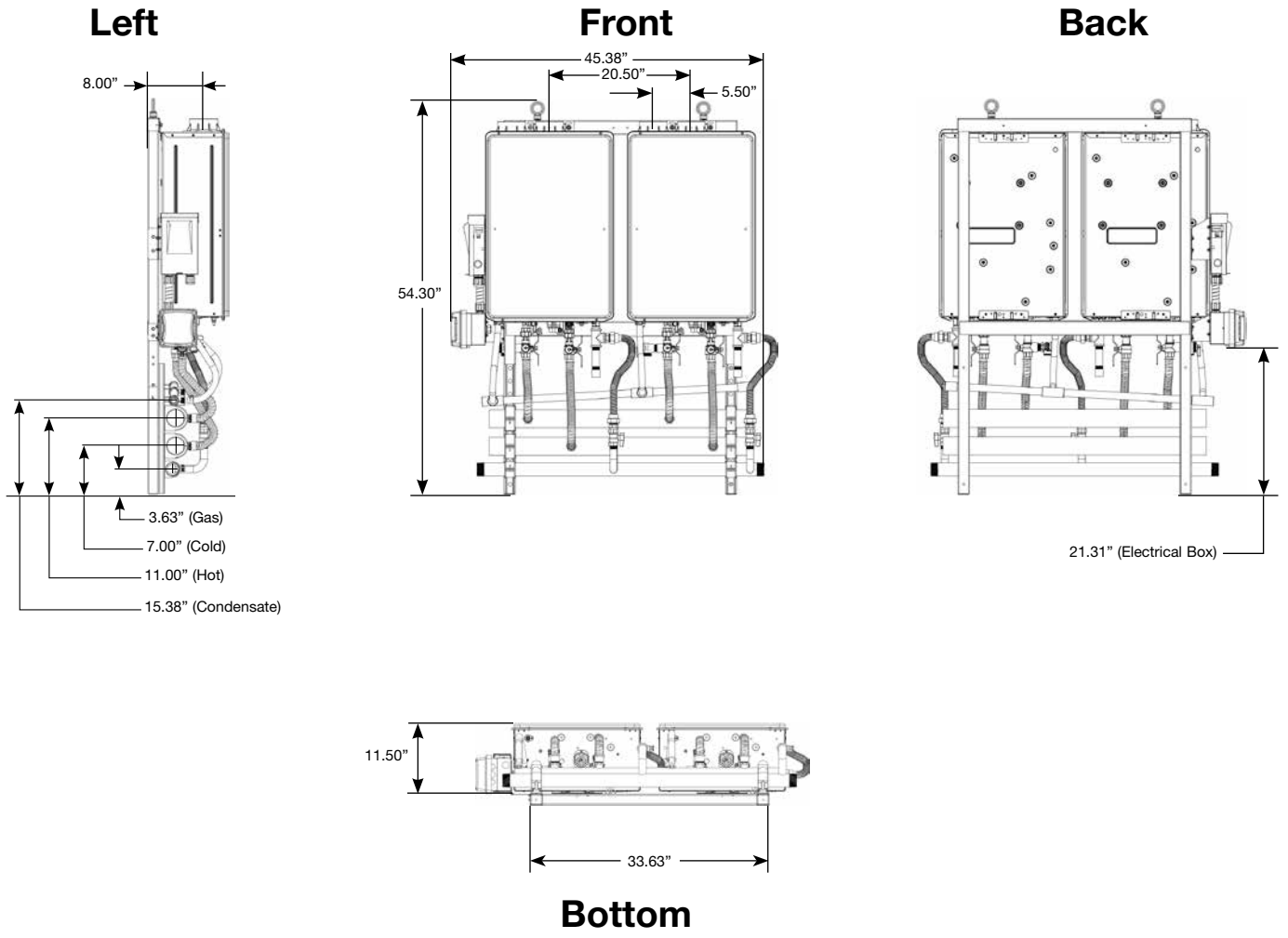


See Pages 5-6

MODEL NUMBER	NUMBER OF UNITS	SYSTEM DESCRIPTION	FUEL TYPE	LAYOUT
RTR-WH220DVLN	2-Units	Indoor Wall Hanging	Nat. Gas	
RTR-WH220XLN	2-Units	Outdoor Wall Hanging	Nat. Gas	
RTR-WH220DVLP	2-Units	Indoor Wall hanging	LP Gas	
RTR-WH220XLP	2-Units	Outdoor Wall Hanging	LP Gas	
RTR-WH330DVLN	3-Units	Indoor Wall Hanging	Nat. Gas	
RTR-WH330XLN	3-Units	Outdoor Wall Hanging	Nat. Gas	
RTR-WH330DVLP	3-Units	Indoor Wall Hanging	LP Gas	
RTR-WH330XLP	3-Units	Outdoor Wall Hanging	LP Gas	

2 UNIT WALL HANGING FRAME

Dimensions



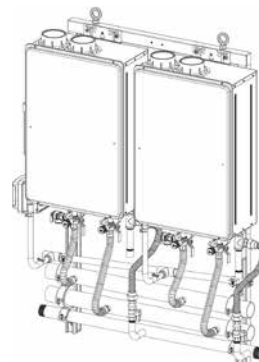
MODEL	LAYOUT	ILLUSTRATION
RTR-WH2		

2 UNIT WALL HANGING FRAME

Specifications

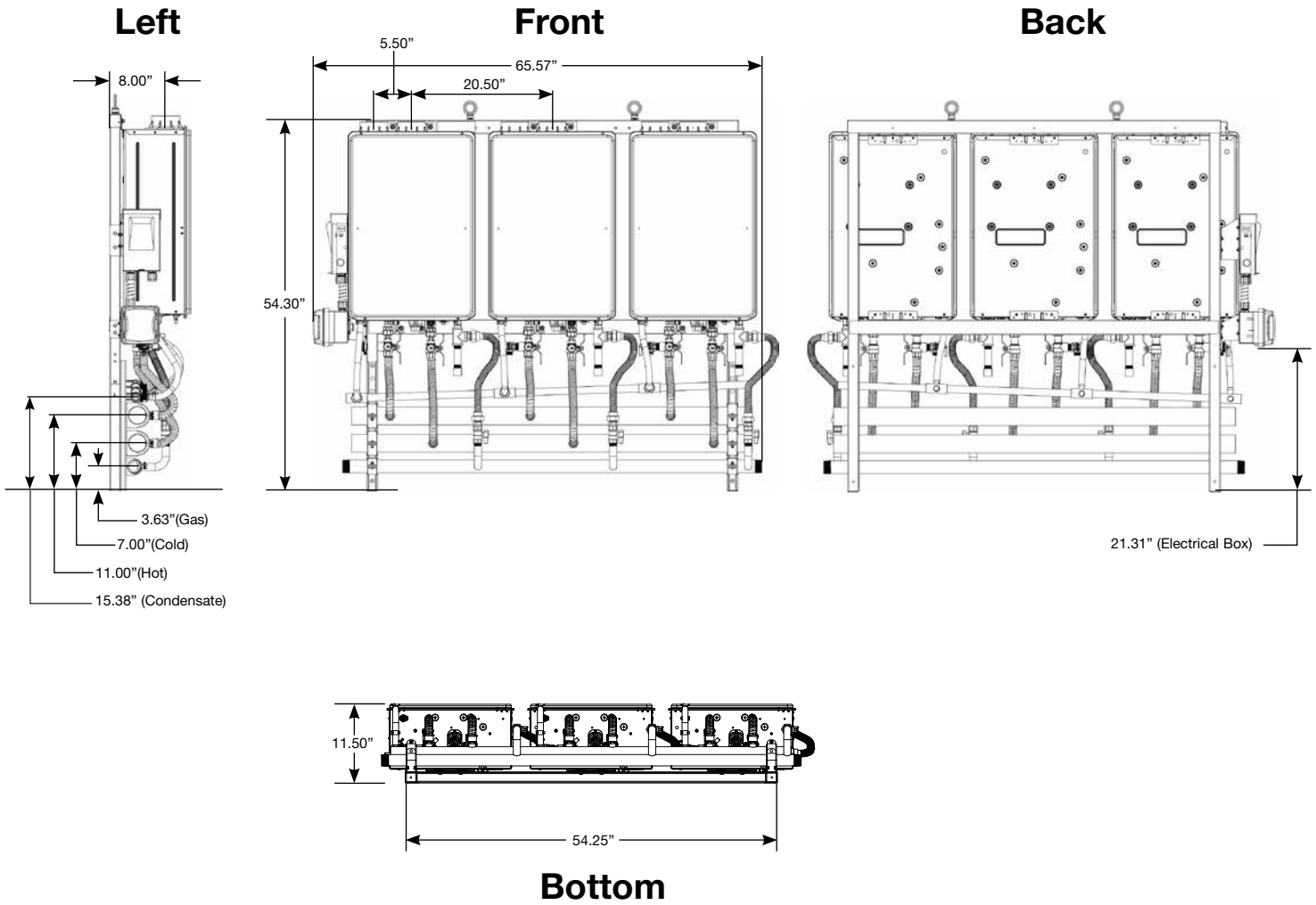
MODEL	RTR-WH2*
Water Heater Model	RTGH-CM95DVLN, RTGH-CM95DVLP RTGH-CM95XLN, RTGH-CM95XLP (Indoor NG/LP) (Outdoor NG/LP)
Crate Dimensions (HxLxD) - Inches	21 X 53 X 65
Weight - Fully Assembled - Lbs.	220
Weight - Shipping (Total) - Lbs..	320
Rack Frame	
Frame Material	16 Gauge Galvanized Steel
Frame Finish	Powder Coat
Color	Gray
Mounts To	Wall Only
Water, Gas and Condensate Connections	
Hot Water Trunk Line Diameter	2 - 1/2"
Cold Water Trunk Line Diameter	2 - 1/2"
Hot Water Trunk Line Material	Rigid Copper
Cold Water Trunk Line Material	Rigid Copper
Water Trunk Connection Type	2 - 1/2" Pipe
Gas Trunk Line Diameter	1-1/2"
Gas Trunk Connection Type	1-1/2" MNPT
Gas Trunk Line Material	Sch 40 Steel
Gas Branch Line Material	Sch 40 Steel
Condensate Trunk Line Diameter	3/4"
Condensate Trunk Line Material	Sch-40 PVC
Condensate Trunk Connection Type	3/4" Pipe
Electrical	
Voltage	120V AC / 60Hz
Maximum Current (Amperes)	8
Controller	UMC-117
Controller Cable	18 AWG
BTU and Flow Rates	
Number of Tankless Water Heaters	2
Flow Rate @ 70°F Rise (GPM)	10.7
Flow Rate@ 100°F rise (GPM)	7.5
Minimum Input Rate (BTU/h)	11,000
Maximum Input Rate (BTU/h)	399,800

*Refer to page 2 for Part Number



3 UNIT WALL HANGING FRAME

Dimensions



MODEL	LAYOUT	ILLUSTRATION
RTR-WH3		

3 UNIT WALL HANGING FRAME

Specifications

MODEL	RTW-WH3*
Water Heater Model	RTGH-CM95DVLN, RTGH-CM95DVLP RTGH-CM95XLN, RTGH-CM95XLP (Indoor NG/LP) (Outdoor NG/LP)
Crate Dimensions (HxLxD) - Inches	21 X 73 X 65
Weight - Fully Assembled - Lbs.	310
Weight - Shipping (Total) - Lbs.	430
Rack Frame	
Frame Material	16 Gauge Galvanized Steel
Frame Finish	Powder Coat
Color	Gray
Mounts To	Wall Only
Water, Gas and Condensate Connections	
Hot Water Trunk Line Diameter	2 - 1/2"
Cold Water Trunk Line Diameter	2 - 1/2"
Hot Water Trunk Line Material	Rigid Copper
Cold Water Trunk Line Material	Rigid Copper
Water Trunk Connection Type	2 - 1/2" Pipe
Gas Trunk Line Diameter	1-1/2"
Gas Trunk Connection Type	1-1/2" MNPT
Gas Trunk Line Material	Sch 40 Steel
Gas Branch Line Material	Sch 40 Steel
Condensate Trunk Line Diameter	3/4"
Condensate Trunk Line Material	Sch-40 PVC
Condensate Trunk Connection Type	3/4" Pipe
Electrical	
Voltage	120V AC / 60Hz
Maximum Current (Amperes)	12
Controller	UMC-117
Controller Cable	18 AWG
BTU and Flow Rates	
Number of Tankless Water Heaters	3
Flow Rate @ 70°F Rise (GPM)	16.1
Flow Rate@ 100°F rise (GPM)	11.3
Minimum Input Rate (BTU/h)	11,000
Maximum Input Rate (BTU/h)	599,700

*Refer to page 2 for Part Number

In keeping with its policy of continuous progress and product improvement, Rheem reserves the right to make changes without notice.

Rheem Water Heating • 1115 Northmeadow Parkway, Suite 100
Roswell, Georgia 30076 • www.rheem.com

Rheem Canada Ltd./Ltée • 125 Edgeware Road, Unit 1
Brampton, Ontario L6Y 0P5 • www.rheem.com

PRINTED IN U.S.A. 04/18 WP FORM NO. TK-RTRWH

