



The new degree of comfort.®

Marathon® Eclipse™ Light Duty Non-Metallic Electric Water Heaters

With easy field-level conversion for multiple light duty applications

BUILT TO LAST

- Backed by a 10-year warranty¹
- Save up to \$4000 in replacement costs²
- Terminal block with fused & non-fused configurations
- Unmatched strength & durability
- Rust & corrosion proof
- Perfect for high temperature applications
- Factory shipped in simultaneous configuration

FEATURES & BENEFITS			
Terminal Block	Easy to convert standard models from simultaneous to non-simultaneous, single phase to three phase		
	Field convertible to meet any light-duty application need		
	Available on all models		
High Efficiency Savings	Polyurethane insulation reduces energy consumption and standby heat loss		
	Pipe wrap kit included to achieve maximum energy savings		
Unmatched Strength & Durability	Non-metallic, seamless, blow-molded polybutene inner tank protects against rust and corrosion		
	Multiple layers of filament-wound fiberglass give the tank unmatched strength		
	Recessed brass drain valve is out the way of brooms and scrubbers		
	High temperature polysulfone dip tube		
	Tough molded polyethylene outer shell resists dents, scratches, and salt air		
	Titanium upper and lower elements for superior resistance to lime build-up		
	All plastic tank eliminates the need for an anode rod		
Easy Installation & Service	Lightweight tank is easier to maneuver and position		
	Bowl shaped tank bottom allows complete sediment draining		
	Water tight grommets protects against overhead moisture and condensation		
PRODUCT PERFORMANCE			
Performance Information	170°F Maximum temperature setting		
	Perfect for high water temperature applications up to 170°F		
	Low lead compliant		
	Recovery Capacity	18.2 GPH (Gallon per Hour)	
	First Hour Delivery	75-Gallon model	78 Gallons per hour
		85-Gallon model	91 Gallons per hour
105-Gallon model		104 Gallons per hour	
Warranty & Other Product Features	Limited Tank Warranty – 10 years, Parts – 1 year ¹		
	Temperature and pressure relief valve included		
	Factory installed vacuum relief valve		
	Standard replacement parts		



Marathon Eclipse Light Duty

75, 85 and 105-Gallon Capacities
 208/240/277/480 Voltages
 12.1 kW
 Electric



Efficiency | All models tested according to ANSI test procedures and meet or exceed the thermal efficiency and standby loss requirements of current ASHRAE standards (EPACT). Also exceeds energy efficiency codes of all states including California Energy Commission (CEC).

Safety and Construction | These products are design certified by Underwriters Laboratories (UL) to meet UL safety standards and UL/NSF 005 as electric storage tank water heaters. All models are North Carolina and Massachusetts Code compliant. **Certified for 150 PSI maximum working pressure.**

See specifications chart on back.

¹ See Commercial Warranty Certificate for complete information.

² Savings based on 7-year average life of a commercial water heater as defined by NOPR (DOE). Customer will replace 2 tanks for every 1 Eclipse. Replacement tank estimated cost is \$4,000.





The new degree of comfort.



All Marathon Eclipse Light Duty models are available in 6/6 simultaneous configurations with terminal block in both fused and non-fused configurations. All water heaters with power requirements over 48 Amps come Standard in the fused configuration.

Marathon® Eclipse™ Light Duty Specifications

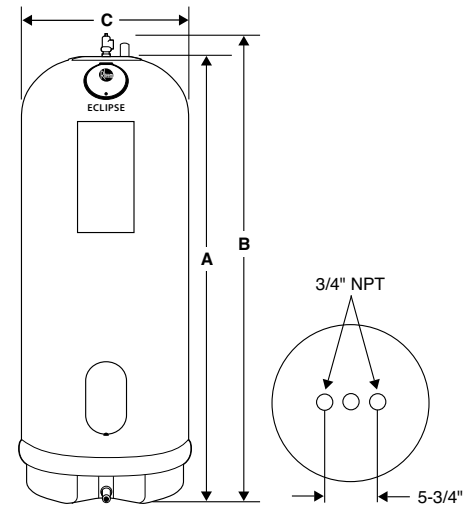
DESCRIPTION			FEATURES		ROUGHING IN DIMENSIONS (SHOWN IN INCHES)			
T Y P E	GALLON CAPACITY	MODEL NUMBER	RECOVERY IN G.P.H. 100° F RISE**	FIRST HOUR DELIVERY G.P.H.	TANK HEIGHT A	HEIGHT TO WATER CONN. B	DIAMETER C	APPROX. SHIP WT. (LBS.)
Tall	75	MELD75-TB	49	78	58-5/8	62-5/8	28-1/4	128
Tall	85	MELD85-TB	49	91	66-1/4	70-1/4	28-1/4	140
Tall	105	MELD105-TB	49	104	66-3/4	70-3/4	30-1/4	152

**Recovery Capacity is based upon a 100° F water temperature rise and calculated per ANSI Z21.10.3 standards

• Maximum test pressure: 300 PSI; Maximum working pressure: 150 PSI

277 Volt Rated Water Heaters

FACTORY SHIPPED RATING		AMPS AND OTHER RATED VOLTAGES					
VOLTS	277	277		240		208	
OPERATION	Sim	Non-Sim		Sim		Non-Sim	
PHASE	1-PH 3-PH	1-PH & 3-PH		1-PH 3-PH		1-PH & 3-PH	
RATING	12100 12100	6050 9080		9080 9080		4540 6820	
BREAKER	60 50	30 50		45 45		25 35	



MELD Factory Models

SIZE		208V	240V	277V	480V
SIM OR NON-SIM		6/6	6/6	6/6	6/6
	75	✓	✓	✓	✓
	85	✓	✓	✓	✓
	105	✓	✓	✓	✓

• All models are factory shipped with sim configuration.

Consult factory for certification requirements.

Recommended Specifications (for trade reference only)

Water heater(s) shall be model _____, manufactured by Rheem, having electrical input of _____ kW and a recovery rate of GPH at a 100°F temperature rise. Water heater(s) shall have a storage capacity of _____ gallons.

Water heater(s) shall be constructed of a inner liner poloybutene-1 and shall come with a 10 year warranty. Water heater shall have a maximum weight of 160 lbs and include a terminal block for non-sim / sim conversions. Water heater(s) shall have the UL seal of certification and

be factory equipped with an CSA/ASME rated temperature and pressure relief valve. Tank(s) interior shall be coated with a high temperature porcelain enamel and furnished with a magnesium anode rod rigidly supported. Water heater(s) shall meet or exceed the energy factor requirements of ASHRAE. Tanks shall have a working pressure rating of 150 psi, and shall be completely assembled. Water heater(s) shall be equipped with copper, restored, "screw-in" type elements. Tank shall be insulated with 2-1/2" of rigid polyurethane foam insulation. Water heater(s) shall be equipped with surface mounted thermostats each with an integral, manual reset, high limit control. Water heater(s) shall be covered by a ten year limited warranty against tank leaks.

In keeping with its policy of continuous progress and product improvement, Rheem reserves the right to make changes without notice.

