

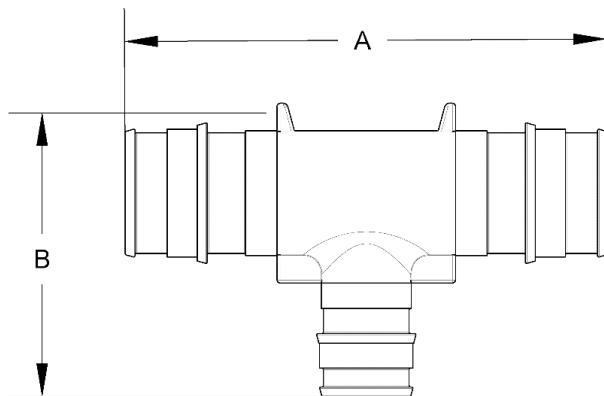
PRODUCT SUBMITTAL 2205

REHAU F1960 Polymer Branch Reducing Tees



Product: REHAU F1960 Polymer Branch Reducing Tees

Date: 15 July 2022 (supersedes 31 March 2021)



Article No.	Nominal Size in	A in (mm)	B in (mm)
499739-001	3/4 x 3/4 x 1/2	3.00 (76.2)	1.82 (46.2)
499741-001	1 x 1 x 1/2	3.50 (88.9)	2.17 (55.1)
499740-001	1 x 1 x 3/4	3.73 (94.7)	2.30 (58.4)
499744-001	1 1/4 x 1 1/4 x 1/2	4.79 (121.6)	2.19 (55.7)
499743-001	1 1/4 x 1 1/4 x 3/4	4.79 (121.6)	2.45 (62.2)
499742-001	1 1/4 x 1 1/4 x 1	4.79 (121.6)	2.68 (68.1)
499753-001	1 1/2 x 1 1/2 x 3/4	5.81 (147.6)	2.74 (69.5)
499746-001	1 1/2 x 1 1/2 x 1	5.81 (147.6)	2.97 (75.6)
499747-001	1 1/2 x 1 1/2 x 1 1/4	5.81 (147.6)	3.22 (81.9)
499752-001	2 x 2 x 1	7.42 (188.6)	3.34 (84.9)
499748-001	2 x 2 x 1 1/4	7.42 (188.6)	3.62 (91.9)
499749-001	2 x 2 x 1 1/2	7.42 (188.6)	3.88 (98.6)
499876-001	1 1/2 x 1 1/2 x 1/2	4.56 (115.8)	2.20 (55.9)
499882-001	2 x 2 x 3/4	5.90 (149.9)	2.99 (75.9)
499883-001	2 x 2 x 1/2	5.51 (140.0)	2.75 (69.9)

For updates to this publication, visit na.rehau.com/resourcecenter

The information contained herein is believed to be reliable, but no representations, guarantees or warranties of any kind are made as to its accuracy, suitability for particular applications or the results to be obtained therefrom. Before using, the user will determine suitability of the information for user's intended use and shall assume all risk and liability in connection therewith.

© 2022 REHAU

PRODUCT SUBMITTAL 2205

REHAU F1960 Polymer Branch Reducing Tees



TECHNICAL DESCRIPTION

Specification	ASTM F1960 / CSA B137.5
Material	PPSU
Certifications	cNSFus-pw or cUPC

FUNCTIONAL DESCRIPTION

REHAU F1960 cold expansion fittings and rings are intended for use with REHAU PEXa pipes. The maximum temperature and pressure ratings of the REHAU F1960 fitting system is in accordance with ASTM F877 and CSA B137.5 for SDR9 PEX, see REHAU pipe product submittals for ratings. Installation is performed with commercially available F1960 cold expansion tools. Follow all published REHAU Technical Guidelines. All REHAU F1960 fittings and rings comply with the lead-free (LF) requirements of the U.S. Safe Drinking Water Act.

For updates to this publication, visit na.rehau.com/resourcecenter

The information contained herein is believed to be reliable, but no representations, guarantees or warranties of any kind are made as to its accuracy, suitability for particular applications or the results to be obtained therefrom. Before using, the user will determine suitability of the information for user's intended use and shall assume all risk and liability in connection therewith.

© 2022 REHAU