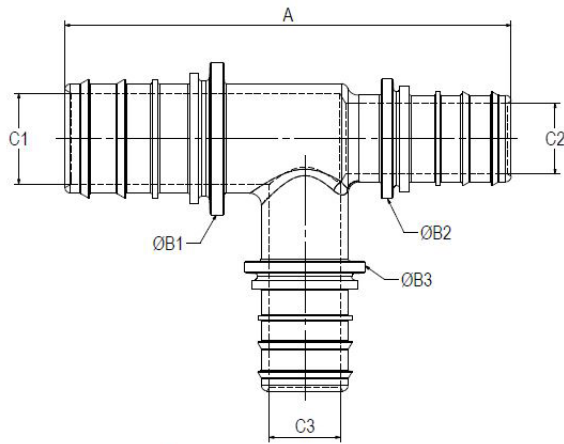


# PRODUCT SUBMITTAL 1123

**Product:** EVERLOC+<sup>®</sup> LF Brass Branch and Run Reducing Tees

**Date:** 31 March 2019 (supersedes 01 August 2017)



Article No.	Nominal Size in	A in. (mm)	B1 in. (mm)	B2 in. (mm)	B3 in. (mm)	C1 in. (mm)	C2 in. (mm)	C3 in. (mm)
424992-001	1 1/2 x 1 x 3/4	4.85 (123.2)	1.88 (47.4)	1.30 (33.0)	1.02 (26.0)	1.14 (28.9)	0.77 (19.6)	0.60 (15.3)
317152-001	1 1/2 x 1 x 1	4.83 (122.6)	1.88 (47.4)	1.30 (33.0)	1.30 (33.0)	1.14 (28.9)	0.77 (19.6)	0.77 (19.6)
425025-001	1 1/2 x 1 1/4 x 3/4	5.00 (127.1)	1.88 (47.4)	1.57 (40.0)	1.02 (26.0)	1.14 (28.9)	0.95 (24.2)	0.60 (15.3)
317153-001	1 1/2 x 1 1/4 x 1	5.07 (128.9)	1.88 (47.7)	1.57 (40.0)	1.30 (33.0)	1.14 (28.9)	0.95 (24.2)	0.77 (19.6)
317154-001	1 1/2 x 1 1/4 x 1 1/4	5.51 (140.0)	1.88 (47.7)	1.57 (40.0)	1.57 (40.0)	1.14 (28.9)	0.95 (24.2)	0.95 (24.2)
424989-001	1 1/4 x 1 x 3/4	4.43 (112.6)	1.57 (40.0)	1.30 (33.0)	1.02 (26.0)	0.95 (24.2)	0.77 (19.6)	0.60 (15.3)
424994-001	2 x 1 1/2 x 3/4	5.65 (143.4)	2.44 (62.0)	1.88 (47.4)	1.02 (26.0)	1.50 (38.2)	1.14 (28.9)	0.60 (15.3)
317156-001	2 x 1 1/2 x 1	5.68 (144.2)	2.44 (62.0)	1.88 (47.7)	1.30 (33.0)	1.50 (38.2)	1.14 (28.9)	0.77 (19.6)
317161-001	2 x 1 1/2 x 1 1/4	5.87 (149.2)	2.44 (62.0)	1.88 (47.7)	1.57 (40.0)	1.50 (38.2)	1.14 (28.9)	0.95 (24.2)
317155-001	2 x 1 1/2 x 1 1/2	6.09 (154.6)	2.44 (62.0)	1.88 (47.4)	1.88 (47.4)	1.50 (38.2)	1.14 (28.9)	1.14 (28.9)

### TECHNICAL DESCRIPTION

Specification	ASTM F877 / CSA B137.5
Material	ECO BRASS <sup>®</sup> (C69300 or CW724R)
Certifications	cNSFus-pw-fs: Fittings are certified by NSF International for use in potable water applications in accordance with NSF/ANSI 14/61, as well as FIREPEX <sup>™</sup> residential fire sprinkler systems in accordance with UL 1821

For updates to this publication, visit [na.rehau.com/resourcecenter](http://na.rehau.com/resourcecenter)

The information contained herein is believed to be reliable, but no representations, guarantees or warranties of any kind are made as to its accuracy, suitability for particular applications or the results to be obtained therefrom. Before using, the user will determine suitability of the information for user's intended use and shall assume all risk and liability in connection therewith.

© 2019 REHAU

### ***FUNCTIONAL DESCRIPTION***

EVERLOC+ compression-sleeve fittings and sleeves are designed specifically for use with REHAU PEXa pipe. The maximum temperature and pressure ratings of the EVERLOC+ compression-sleeve fitting system is in accordance with ASTM F877 and CSA B137.5 for SDR9 PEX, see REHAU pipe product submittals for ratings. Installation is performed with EVERLOC+ compression-sleeve tools. Follow all published REHAU *Technical Guidelines*. All EVERLOC+ fittings and sleeves comply with the lead-free (LF) requirements of the U.S. Safe Drinking Water Act.