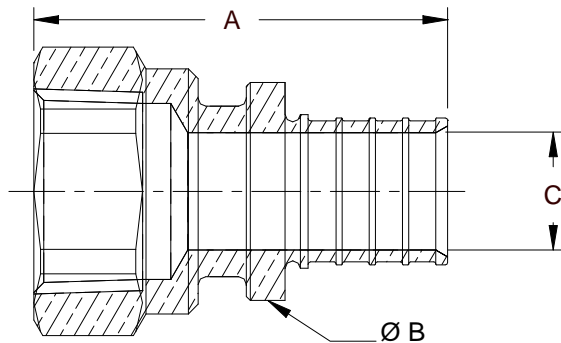


## PRODUCT SUBMITTAL 312

Product: F2080 FPT Adapters  
Date: 01 January 2017 (supersedes 05 November 2013)



Article No.	Nominal Size	A in (mm)	B in (mm)	C in (mm)
260287-101	1/2" F2080 x 1/2" FPT	1.972 (50.0)	0.856 (21.7)	0.398 (10.1)
260387-101	3/4" F2080 x 3/4" FPT	2.103 (53.4)	1.112 (28.2)	0.598 (15.2)
260487-101	1" F2080 x 1" FPT	2.549 (64.7)	1.388 (35.2)	0.772 (19.6)

### TECHNICAL DESCRIPTION

Specification	ASTM F2080 / F877
Material	Brass
Certifications	ASTM F877 / F2080 / CSA B137.5 / ICC-ES PMG-1379 / NSF-rfh

### FUNCTIONAL DESCRIPTION

F2080 compression-sleeve fittings are intended for heating, snow and ice melting and hydronic distribution, when used with RAUPEX® PEXa pipes. FPT adapter fittings connect RAUPEX pipe to other threaded piping systems. Make threaded connection before connecting to RAUPEX pipe. REHAU recommends threaded connections be accessible for periodic inspection.

Installation is performed with REHAU F2080 compression-sleeve tools. Follow all published installation instructions.

For updates to this publication, visit [na.rehau.com/resourcecenter](http://na.rehau.com/resourcecenter)

The information contained herein is believed to be reliable, but no representations, guarantees or warranties of any kind are made as to its accuracy, suitability for particular applications or the results to be obtained therefrom. Before using, the user will determine suitability of the information for user's intended use and shall assume all risk and liability in connection therewith. © 2017 REHAU