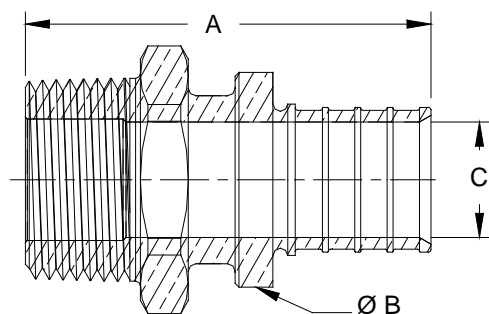


PRODUCT SUBMITTAL 911

Product: **SDR11 Male NPT (MPT) / Dual Adapters**
Date: **01 January 2018 (supersedes 01 January 2017)**



Article No.	Nominal Size mm x Connection Size	A in. (mm)	B in. (mm)	C in. (mm)
298246-001	25 x 2.3 mm SDR11 x 1 in. MPT or 3/4 in. CF	2.577 (65)	1.200 (30)	0.700 (18)
235117-001	32 x 2.9 mm SDR11 x 1 1/4 in. MPT or 1 in. CF A	3.163 (80)	1.576 (40)	0.883 (22)
235127-001	40 x 3.7 mm SDR11 x 1 1/2 in. MPT or 1 1/4 in. CF	3.416 (87)	1.929 (49)	1.063 (27)
235137-001	50 x 4.6 mm SDR11 x 2 in. MPT or 1 1/2 in. CF	3.490 (89)	2.402 (61)	1.378 (35)
235147-	63 mm SDR11 x 2 in. MPT (Not Dual)	4.271 (109)	2.913 (74.0)	1.772 (45.0)
235157-	63 mm SDR11 x 2 1/2 in. MPT or 2 in. C Female (Sweat)	4.868 (124)	2.913 (74.0)	1.772 (45.0)
235167-	75 mm SDR11 x 3 in. MPT (Not Dual)	5.596 (142)	3.543 (90.0)	2.126 (54.0)
235177-	90 mm SDR11 x 3 in. MPT (Not Dual)	4.990 (127)	4.252 (108)	2.717 (69.0)
235187-	110 mm SDR11 x 4 in. MPT (Not Dual)	5.221 (133)	5.118 (130)	3.268 (83.0)
235197-001	125 mm SDR11 x 5 in. MPT (Not Dual)	6.06 (154)	5.71 (145)	3.54 (90.0)

TECHNICAL DESCRIPTION

Material	Machined from solid brass rod (size 25 to 63 mm) or solid bronze (sizes 75 to 125 mm)
----------	---------------------------------------------------------------------------------------

SDR11 compression-sleeve fittings are intended for heating, snow and ice melting and hydronic distribution, when used with RAUPEX® PEXa pipes. Dual adapter fittings connect RAUPEX pipe to other threaded piping systems (first size) or copper pipe (second size). Make threaded or solder connection before connecting to RAUPEX pipe. REHAU recommends threaded connections to be accessible for periodic inspection.

Installation is performed with SDR11 compression-sleeve tools. Tapered end of sleeve installs toward fitting. Follow all published installation instructions. Not certified for potable water.

For updates to this publication, visit na.rehau.com/resourcecenter

The information contained herein is believed to be reliable, but no representations, guarantees or warranties of any kind are made as to its accuracy, suitability for particular applications or the results to be obtained therefrom. Before using, the user will determine suitability of the information for user's intended use and shall assume all risk and liability in connection therewith.

© 2018 REHAU