

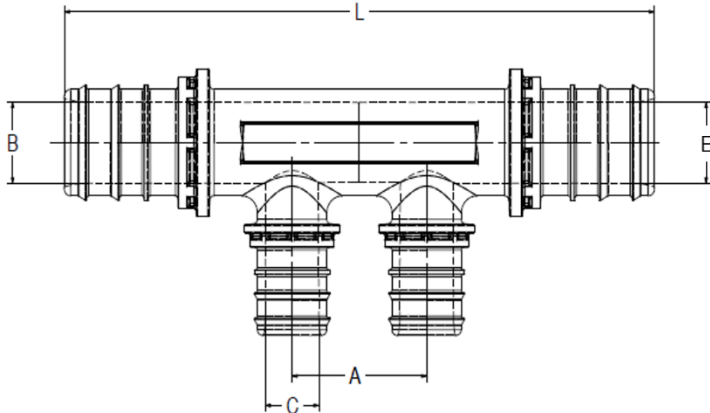
PRODUCT SUBMITTAL 1252

EVERLOC+ Polymer Flow-through Multi-port Tees



Product: EVERLOC+® Polymer Flow-through Multi-port Tees

Date: 01 December 2022 (supersedes 01 June 2021)



Article No.	Description	A in (mm)	B in (mm)	C in (mm)	E in (mm)	L in (mm)
104869-001	3/4 x 3/4 in. Inlets, (2) 1/2 in. Outlets	1.02 (26.0)	0.56 (14.3)	0.41 (10.4)	0.56 (14.3)	4.49 (114.0)
104870-001	3/4 x 3/4 in. Inlets, (3) 1/2 in. Outlets	1.02 (26.0)	0.56 (14.3)	0.41 (10.4)	0.56 (14.3)	5.51 (140.0)
104871-001	3/4 x 3/4 in. Inlets, (4) 1/2 in. Outlets	1.02 (26.0)	0.56 (14.3)	0.41 (10.4)	0.56 (14.3)	6.54 (166.0)
108804-001	3/4 x 3/4 in. Inlets, (6) 1/2 in. Outlets	1.02 (26.0)	0.56 (14.3)	0.41 (10.4)	0.56 (14.3)	8.74 (222.0)
108805-001	1 x 1 in. Inlets, (6) 1/2 in. Outlets	1.02 (26.0)	0.72 (18.3)	0.41 (10.4)	0.72 (18.3)	9.39 (238.6)
108806-001	1 x 3/4 in. Inlets, (4) 1/2 in. Outlets	1.02 (26.0)	0.72 (18.3)	0.41 (10.4)	0.56 (14.3)	7.30 (185.5)
433903-001	1 x 1 in Inlets, (4) 1/2 in Outlets	1.02 (26.0)	0.72 (18.3)	0.41 (10.4)	0.72 (18.3)	7.34 (186.6)
433906-001	1 x 3/4 in Inlets, (6) 1/2 in Outlets	1.02 (26.0)	0.72 (18.3)	0.41 (10.4)	0.56 (14.3)	9.35 (237.5)

For updates to this publication, visit na.rehau.com/resourcecenter

The information contained herein is believed to be reliable, but no representations, guarantees or warranties of any kind are made as to its accuracy, suitability for particular applications or the results to be obtained therefrom. Before using, the user will determine suitability of the information for user's intended use and shall assume all risk and liability in connection therewith.

© 2022 REHAU

PRODUCT SUBMITTAL 1252

EVERLOC+ Polymer Flow-through Multi-port Tees



TECHNICAL DESCRIPTION

Specification	ASTM F877 / CSA B137.5
Material	Polyphenylsulfone (PPSU)
Certifications	cNSFus-pw

FUNCTIONAL DESCRIPTION

EVERLOC+ multi-port tees are designed specifically for use with EVERLOC+ PEXa compression sleeves and REHAU PEXa pipe. The maximum temperature and pressure ratings of the EVERLOC+ compression-sleeve fitting system is in accordance with ASTM F877 and CSA B137.5 for SDR9 PEX, see REHAU pipe product submittals for ratings. Installation is performed with EVERLOC+ compression-sleeve tools. Follow all published *REHAU Technical Guidelines*. All EVERLOC+ multi-port tees comply with the lead-free (LF) requirements of the U.S. Safe Drinking Water Act.

For updates to this publication, visit na.rehau.com/resourcecenter

The information contained herein is believed to be reliable, but no representations, guarantees or warranties of any kind are made as to its accuracy, suitability for particular applications or the results to be obtained therefrom. Before using, the user will determine suitability of the information for user's intended use and shall assume all risk and liability in connection therewith.

© 2022 REHAU