



Type P (pressure balance) valve trim  
**TPATQ51**



## Specifications

### Descriptions

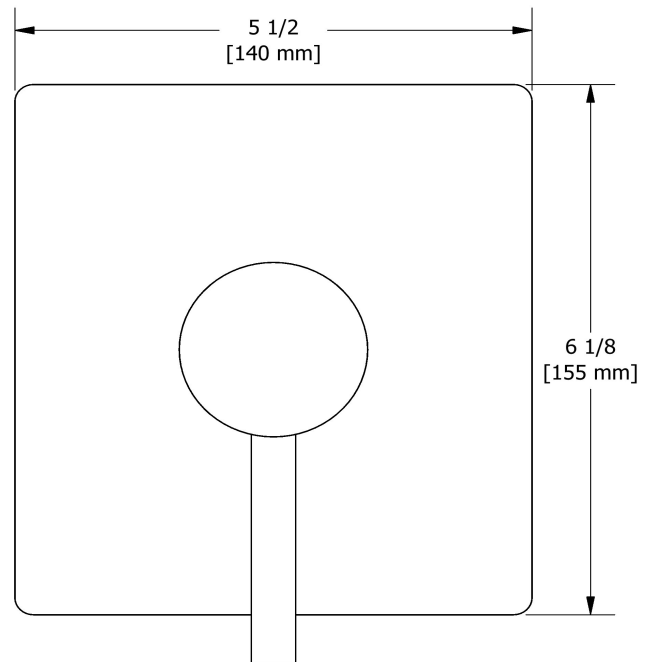
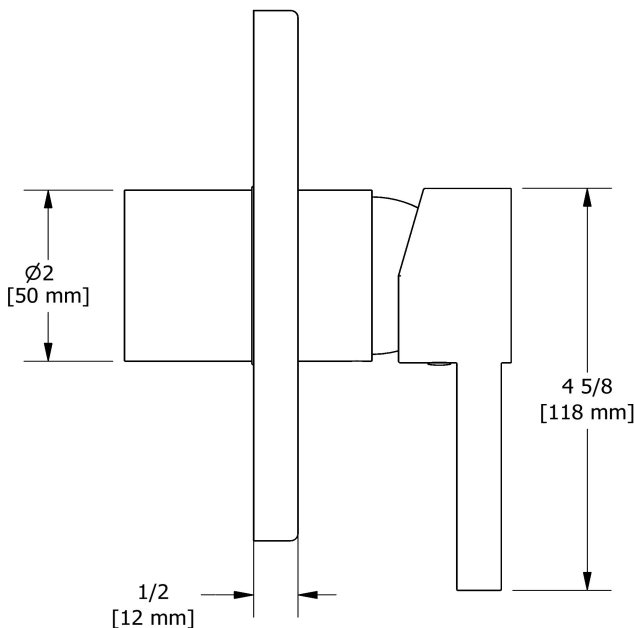
- R51, R51-SPEX or R51-EX rough required to complete
- Trim only
- Ceramic cartridge and balancing spool with check valves
- Double action: flow and temperature control

### Available colors

- C : Chrome
- BN : Brushed Nickel (PVD)

### Certifications

- CSA B125.1
- ASME A112.18.1
- ASSE 1016
- CMR248 Approval
- ADA



Sizes, models and finishes may differ from those presented.

### Warranty

This **Riobel Inc.** product you have purchased carries a Limited Lifetime Warranty on the chrome, PVD finish, blacks and all working parts and is guaranteed from the initial purchase date against all manufacturing defects. All other finishes, including plastic components, are guaranteed for one year. All electric and/or electronic parts are covered by a 5-year limited warranty.

### Customer Service

Ontario, West Canada : 888-287-5354 Quebec, Maritimes, United States : 866-473-8442