



Type P (pressure balance) shower PEX  
**SA54-SPEX**



UPC®

## Specifications

### Composition

- TSA51C - Type P (pressure balance) valve trim
- R51-SPEX - Type P (pressure balance) rough without cartridge PEX
- 7007C - Hand shower rail
- 772C - Elbow supply

### Available colors

- C : Chrome
- PN : Polished Nickel (PVD)

### Certifications

- CSA B125.1
- ASME A112.18.1
- ASSE 1016
- CMR248 Approval

## Warranty

This **Riobel Inc.** product you have purchased carries a Limited Lifetime Warranty on the chrome, PVD finish, blacks and all working parts and is guaranteed from the initial purchase date against all manufacturing defects. All other finishes, including plastic components, are guaranteed for one year. All electric and/or electronic parts are covered by a 5-year limited warranty.

## Customer Service

Ontario, West Canada : 888-287-5354 Quebec, Maritimes, United States : 866-473-8442

2020.06.12



Type P (pressure balance) valve trim  
**TSA51**



## Specifications

### Descriptions

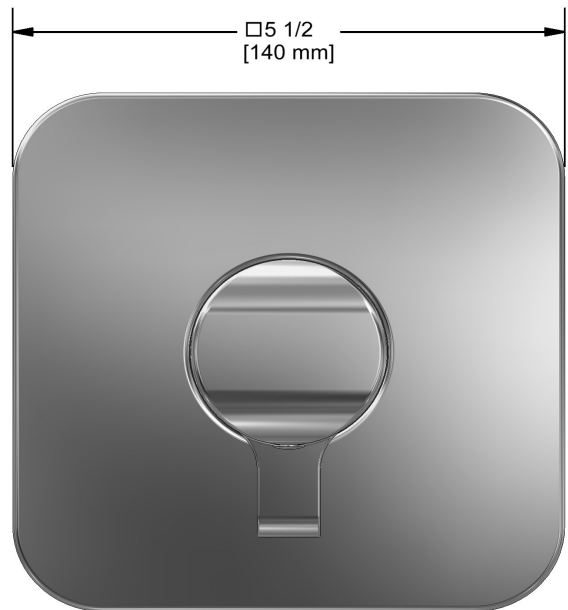
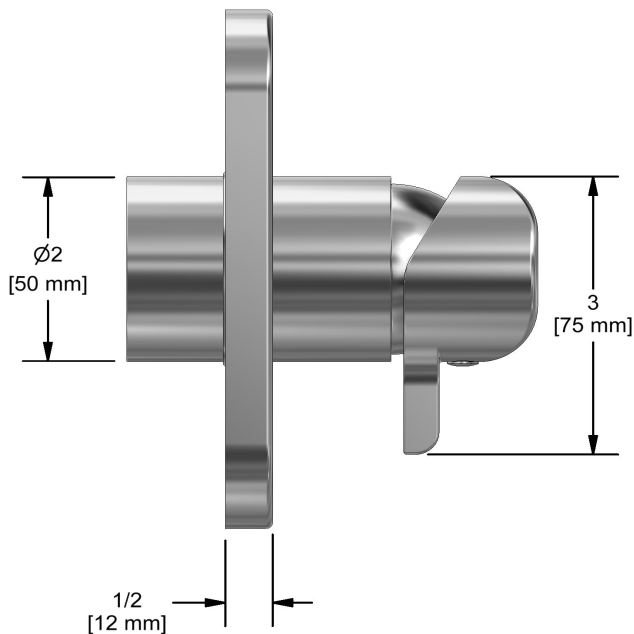
- Trim only
- Ceramic cartridge and balancing spool with check valves
- Double action: flow and temperature control
- R51, R51-SPEX or R51-EX rough required to complete

### Available colors

- C : Chrome
- PN : Polished Nickel (PVD)

### Certifications

- CSA B125.1
- ASME A112.18.1
- ASSE 1016
- CMR248 Approval
- ADA



Sizes, models and finishes may differ from those presented.

### Warranty

This **Riobel Inc.** product you have purchased carries a Limited Lifetime Warranty on the chrome, PVD finish, blacks and all working parts and is guaranteed from the initial purchase date against all manufacturing defects. All other finishes, including plastic components, are guaranteed for one year. All electric and/or electronic parts are covered by a 5-year limited warranty.

### Customer Service

Ontario, West Canada : 888-287-5354 Quebec, Maritimes, United States : 866-473-8442



Type P (pressure balance) rough without cartridge  
PEX  
**R51-SPEX**



# Specifications

## Descriptions

- 1/2" inlet PEX
- Service valves
- 1/2" shower outlet PEX
- 3/4" bath outlet PEX or 1/2" sweat
- Test cap
- TXX51XX trim required to complete
- Rough only

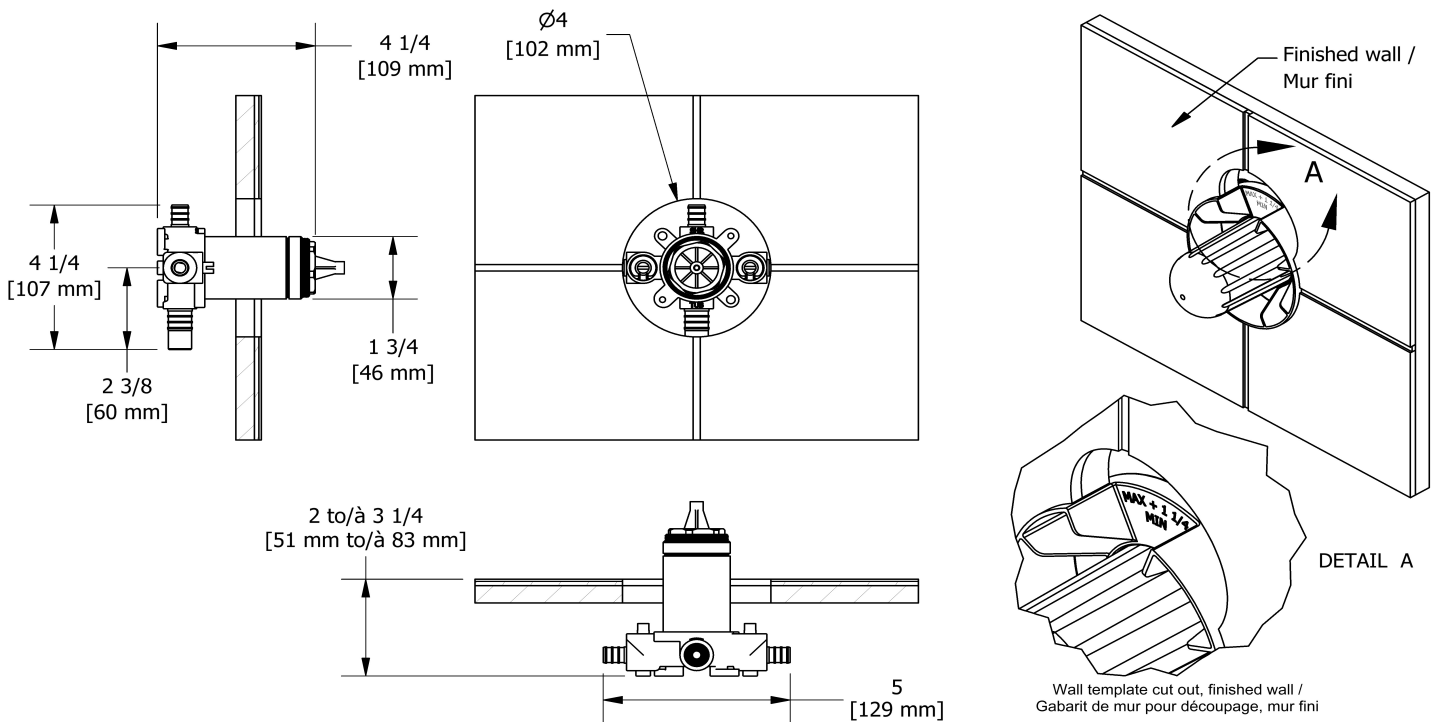
## Available colors

- :

## Certifications

- CSA B125.1
- ASME A112.18.1
- ASSE 1016
- CMR248 Approval

UPC®



Sizes, models and finishes may differ from thoses presented.

## Warranty

This **Riobel Inc.** product you have purchased carries a Limited Lifetime Warranty on the chrome, PVD finish, blacks and all working parts and is guaranteed from the initial purchase date against all manufacturing defects. All other finishes, including plastic components, are guaranteed for one year. All electric and/or electronic parts are covered by a 5-year limited warranty.

## Customer Service

Ontario, West Canada : 888-287-5354 Quebec, Maritimes, United States : 866-473-8442

2020.06.12



Hand shower rail  
**7007**



# Specifications

## Descriptions

- Scale-free
- 4370, 2-jet hand shower
- 150 cm (59") double interlock flexible hose, swivel and 2 check valves
- Ø19 mm (¾") slide bar
- Easy-Glide left cursor

## Available colors

- C : Chrome
- PN : Polished Nickel (PVD)

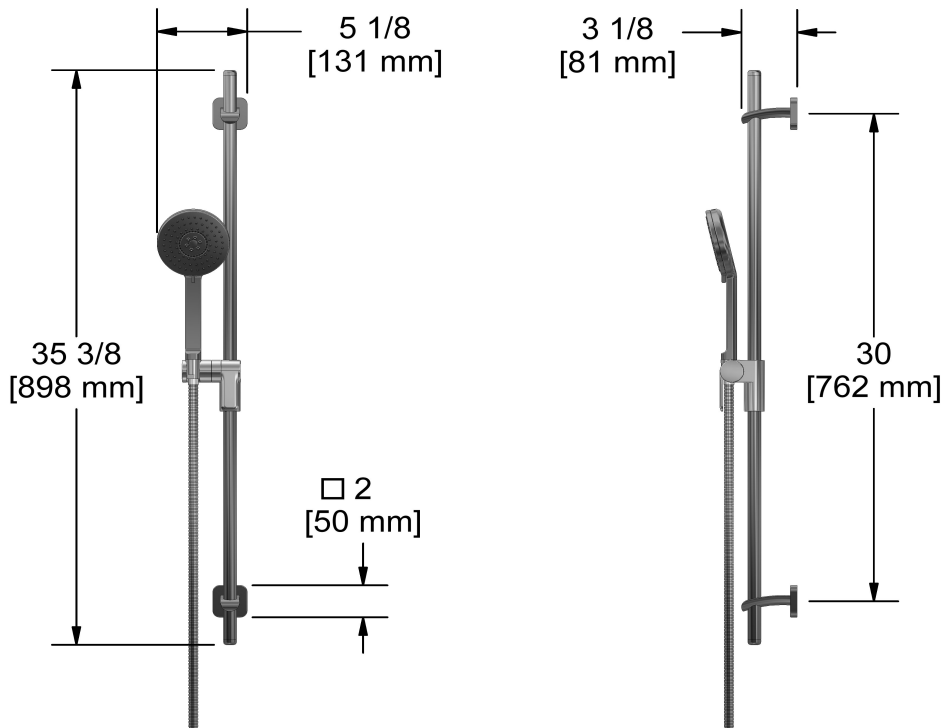
## Available flows

- 7.6 L/min, 2.0 gpm (US) 60psi
- 5.69 L/min, 1.5 gpm (US) 60psi ( **7007-15** )
- 6.6L/min, 1.75 gpm (US) 60psi ( **7007-WS** ) \*

*\*EPA certification applicable to the indicated model only\**

## Certifications

- CSA B125.1
- ASME A112.18.1
- CMR248 Approval



Sizes, models and finishes may differ from those presented.

## Warranty

This **Riobel Inc.** product you have purchased carries a Limited Lifetime Warranty on the chrome, PVD finish, blacks and all working parts and is guaranteed from the initial purchase date against all manufacturing defects. All other finishes, including plastic components, are guaranteed for one year. All electric and/or electronic parts are covered by a 5-year limited warranty.

## Customer Service

Ontario, West Canada : 888-287-5354 Quebec, Maritimes, United States : 866-473-8442



Elbow supply  
772



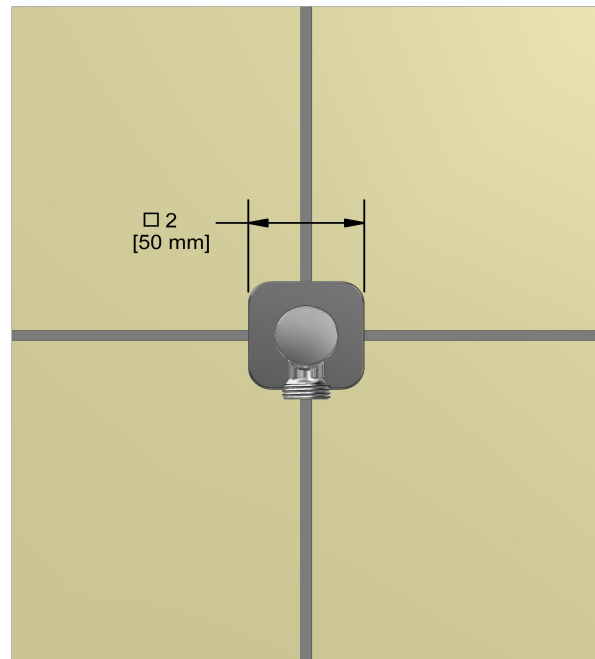
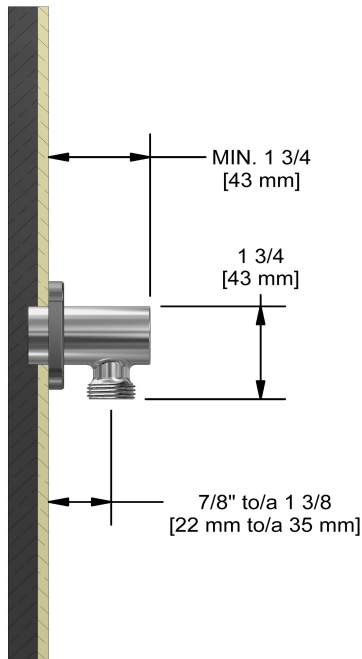
## Specifications

### Descriptions

- Adjustable depth
- 1/2" outlet male
- 1/2" inlet female NPT

### Available colors

- C : Chrome
- PN : Polished Nickel (PVD)
- BK : Black



Sizes, models and finishes may differ from thoses presented.

### Warranty

This **Riobel Inc.** product you have purchased carries a Limited Lifetime Warranty on the chrome, PVD finish, blacks and all working parts and is guaranteed from the initial purchase date against all manufacturing defects. All other finishes, including plastic components, are guaranteed for one year. All electric and/or electronic parts are covered by a 5-year limited warranty.

### Customer Service

Ontario, West Canada : 888-287-5354 Quebec, Maritimes, United States : 866-473-8442

2020.06.12