



8" wall-mount lavatory faucet  
**RT03+**



# Specifications

## Descriptions

- Ceramic cartridge
- 1/2" inlet female NPT
- No drain

## Available colors

- C : Chrome
- BN : Brushed Nickel (PVD)
- PN : Polished Nickel (PVD)

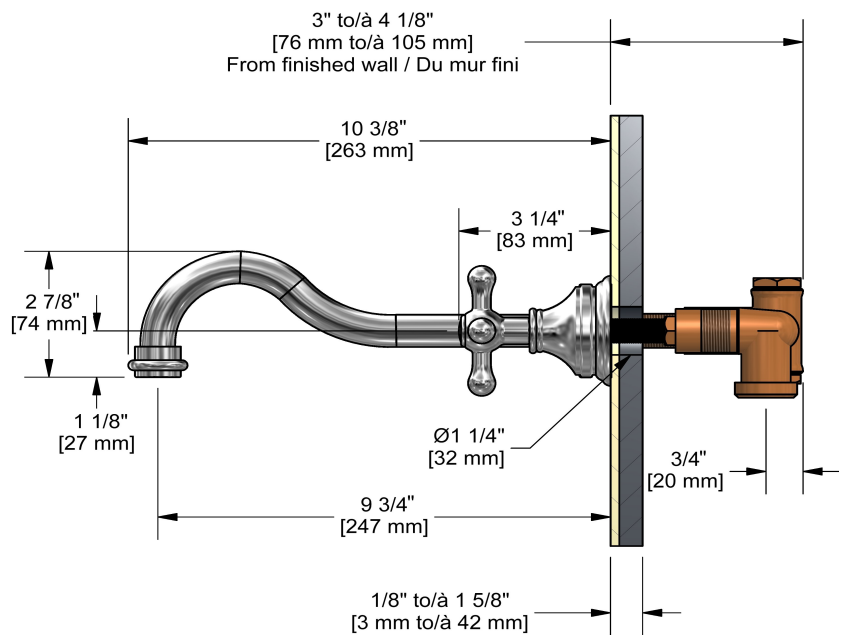
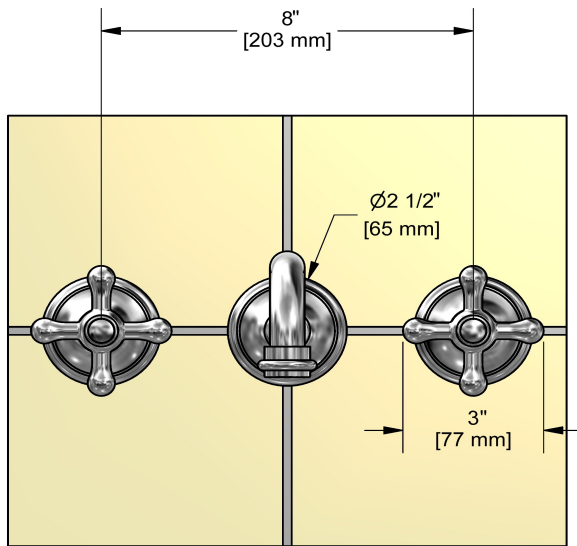
## Available flows

- 5.7 L/min, 1.5 gpm (US) 60psi \*
- 1.9 L/min, 0.5 gpm (US) 60psi ( **RT03+-05** )
- 3.7 L/min, 1 gpm (US) 60psi ( **RT03+-10** )

*\*EPA certification applicable to the indicated model only\**

## Certifications

- NSF/ANSI standard 61 and 372
- ASME A112.18.1
- CMR248 Approval
- ADA



Sizes, models and finishes may differ from those presented.

## Warranty

This **Riobel Inc.** product you have purchased carries a **Limited Lifetime Warranty** on the chrome, PVD finish, blacks and all working parts and is guaranteed from the initial purchase date against all **manufacturing defects**. All other finishes, including plastic components, are guaranteed for one year. All electric and/or electronic parts are covered by a 5-year limited warranty.

## Customer Service

Ontario, West Canada : 888-287-5354 Quebec, Maritimes, United States : 866-473-8442