



Type P (pressure balance) complete valve  
**PFTQ51**



## Specifications

### Composition

- TPFTQ51C - Type P (pressure balance) valve trim
- R51 - Type P (pressure balance) rough

### Available colors

- C : Chrome

### Available flow

- 22 L/min, 5.8 gpm (US) 60psi

### Certifications

- CSA B125.1
- ASME A112.18.1
- ASSE 1016
- CMR248 Approval
- ADA



## Warranty

This **Riobel Inc.** product you have purchased carries a Limited Lifetime Warranty on the chrome, PVD finish, blacks and all working parts and is guaranteed from the initial purchase date against all manufacturing defects. All other finishes, including plastic components, are guaranteed for one year. All electric and/or electronic parts are covered by a 5-year limited warranty.

## Customer Service

Ontario, West Canada : 888-287-5354 Quebec, Maritimes, United States : 866-473-8442



Type P (pressure balance) valve trim  
**TPFTQ51**



## Specifications

### Descriptions

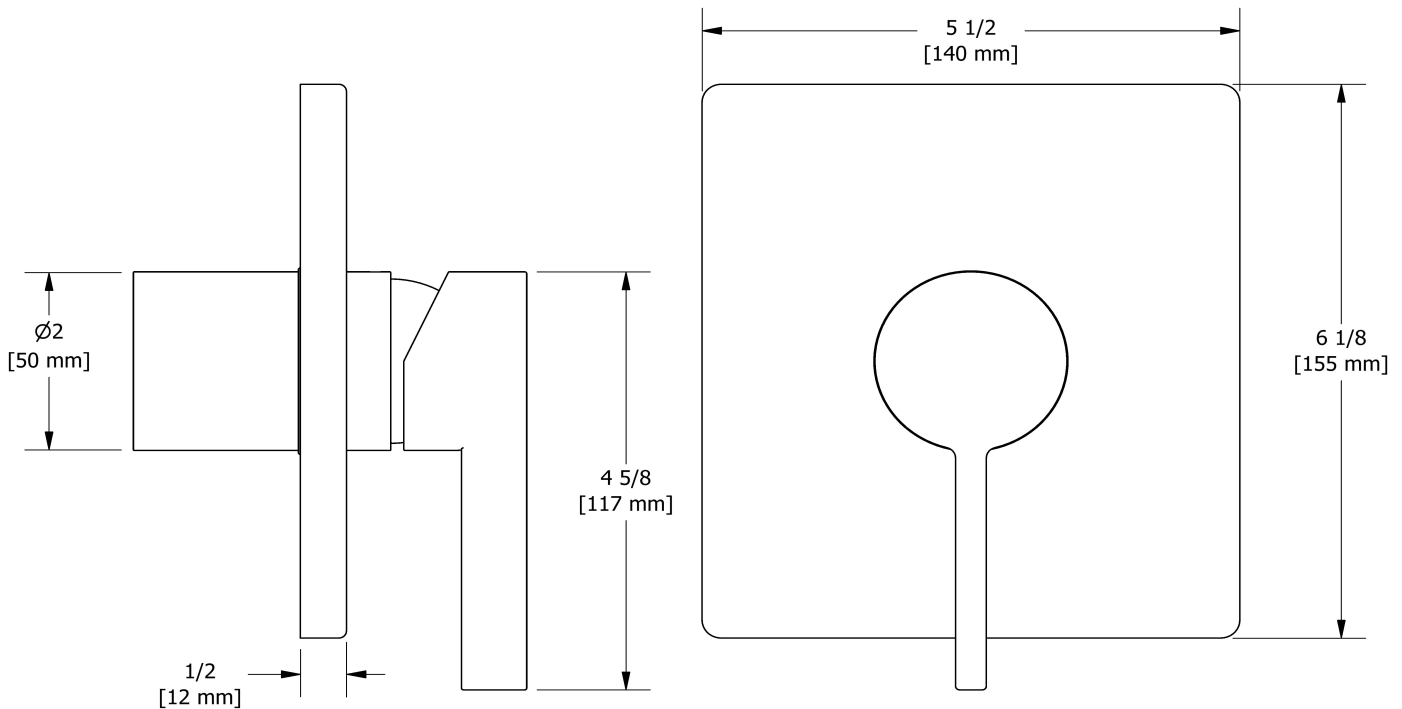
- Double action: flow and temperature control
- Ceramic cartridge and balancing spool with check valves
- Trim only
- R51, R51-SPEX or R51-EX rough required to complete

### Available colors

- C : Chrome

### Certifications

- CSA B125.1
- ASME A112.18.1
- ASSE 1016
- CMR248 Approval
- ADA



Sizes, models and finishes may differ from those presented.

### Warranty

This **Riobel Inc.** product you have purchased carries a Limited Lifetime Warranty on the chrome, PVD finish, blacks and all working parts and is guaranteed from the initial purchase date against all manufacturing defects. All other finishes, including plastic components, are guaranteed for one year. All electric and/or electronic parts are covered by a 5-year limited warranty.

### Customer Service

Ontario, West Canada : 888-287-5354 Quebec, Maritimes, United States : 866-473-8442



Type P (pressure balance) rough  
R51



# Specifications

## Descriptions

- 1/2" outlet male NPT or sweat
- Service valves
- 1/2" inlet male NPT or sweat
- Test cap
- TXX51XX trim required to complete
- Rough only

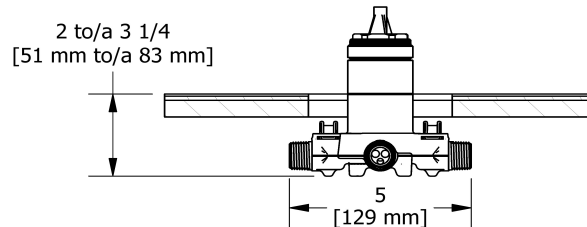
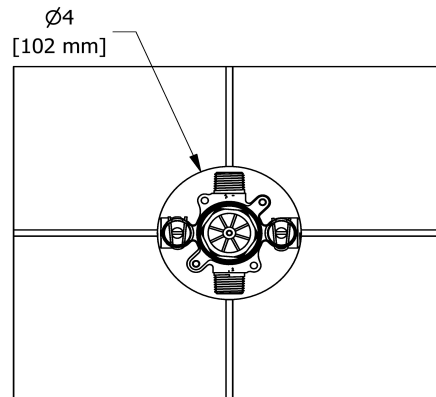
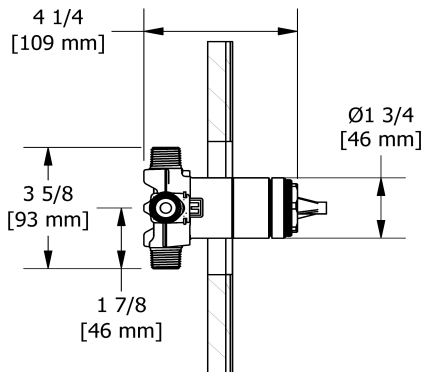
## Available colors

- :

## Certifications

- CSA B125.1
- ASME A112.18.1
- ASSE 1016
- CMR248 Approval

UPC®



Sizes, models and finishes may differ from those presented.

## Warranty

This **Riobel Inc.** product you have purchased carries a Limited Lifetime Warranty on the chrome, PVD finish, blacks and all working parts and is guaranteed from the initial purchase date against all manufacturing defects. All other finishes, including plastic components, are guaranteed for one year. All electric and/or electronic parts are covered by a 5-year limited warranty.

## Customer Service

Ontario, West Canada : 888-287-5354 Quebec, Maritimes, United States : 866-473-8442

2020.06.12