



4-piece deck-mount tub filler with hand shower
MMSQ12J



Specifications

Descriptions

- Ceramic cartridge
- 1-jet hand shower/scale-free
- G $\frac{1}{2}$ " inlet male

Available colors

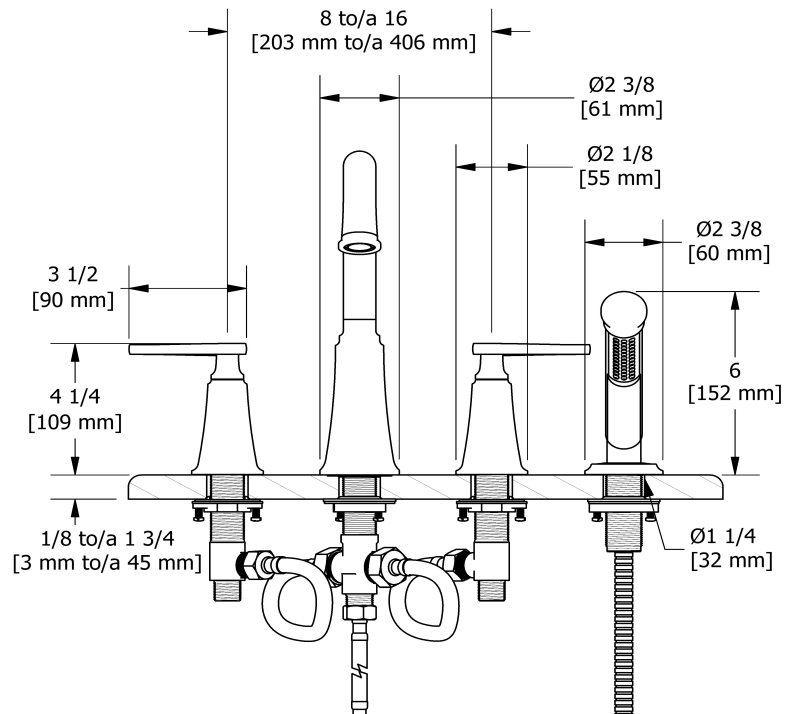
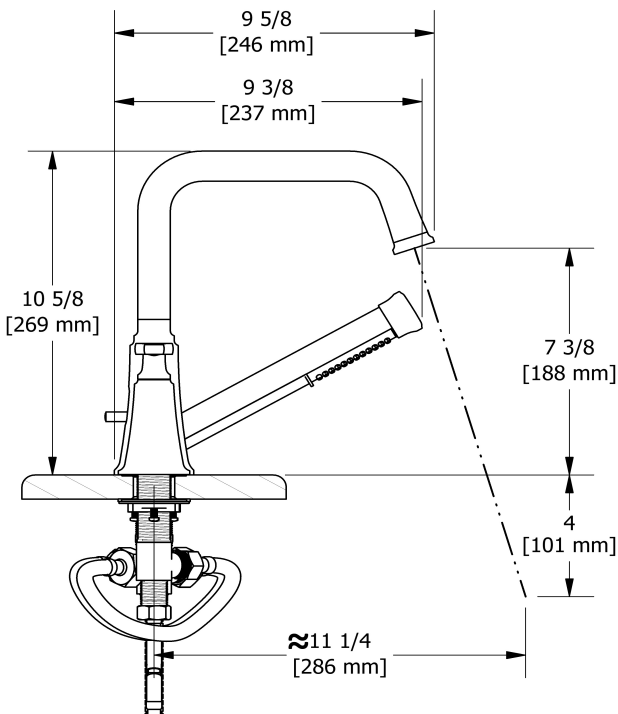
- C : Chrome
- CBK : Chrome/Black
- BN : Brushed Nickel (PVD)
- BNBK : Brushed Nickel (PVD)/Black
- PN : Polished Nickel (PVD)
- PNBK : Polished Nickel (PVD)/Black

Available flow

- 41.5 L/min, 11 gpm (US) 60psi

Certifications

- CSA B125.1
- NSF/ANSI standard 61 and 372
- ASME A112.18.1
- ADA



Sizes, models and finishes may differ from those presented.

Warranty

This **Riobel Inc.** product you have purchased carries a **Limited Lifetime Warranty** on the chrome, PVD finish, blacks and all working parts and is guaranteed from the initial purchase date against all **manufacturing defects**. All other finishes, including plastic components, are guaranteed for one year. All electric and/or electronic parts are covered by a 5-year limited warranty.

Customer Service

Ontario, West Canada : 888-287-5354 Quebec, Maritimes, United States : 866-473-8442