



2-way Type T/P coaxial complete valve PEX
EQ23-SPEX



Specifications

Composition

- TEQ23C - 2-way Type T/P coaxial valve trim
- R23-SPEX - 2-way Type T/P coaxial valve rough PEX

Available colors

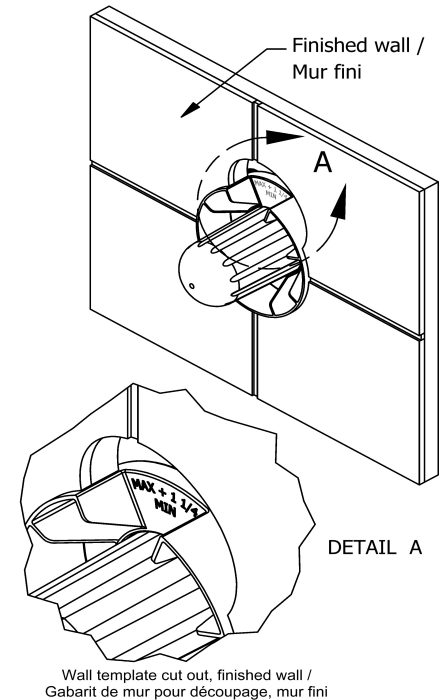
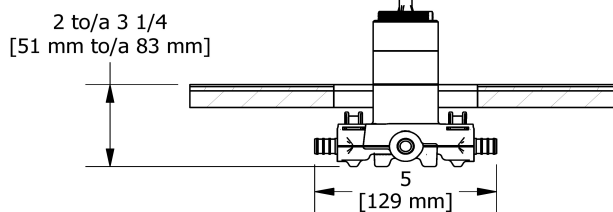
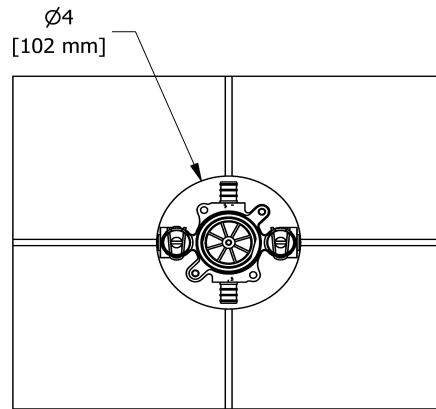
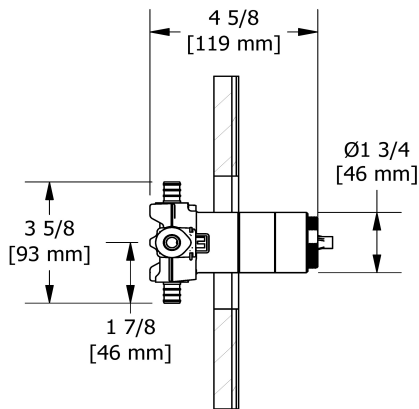
- C : Chrome
- BN : Brushed Nickel (PVD)

Available flows

- 24 L/min, 6.3 gpm (US) 60psi
- Type TP - For use with shower heads rated at 7L/min (1.8 gpm) or higher

Certifications

- CSA B125.1
- ASME A112.18.1
- ASSE 1016
- CMR248 Approval
- ADA



Sizes, models and finishes may differ from thoses presented.

Warranty

This **Riobel Inc.** product you have purchased carries a Limited Lifetime Warranty on the chrome, PVD finish, blacks and all working parts and is guaranteed from the initial purchase date against all manufacturing defects. All other finishes, including plastic components, are guaranteed for one year. All electric and/or electronic parts are covered by a 5-year limited warranty.

Customer Service

Ontario, West Canada : 888-287-5354 Quebec, Maritimes, United States : 866-473-8442



2-way Type T/P coaxial valve trim
TEQ23



Specifications

Descriptions

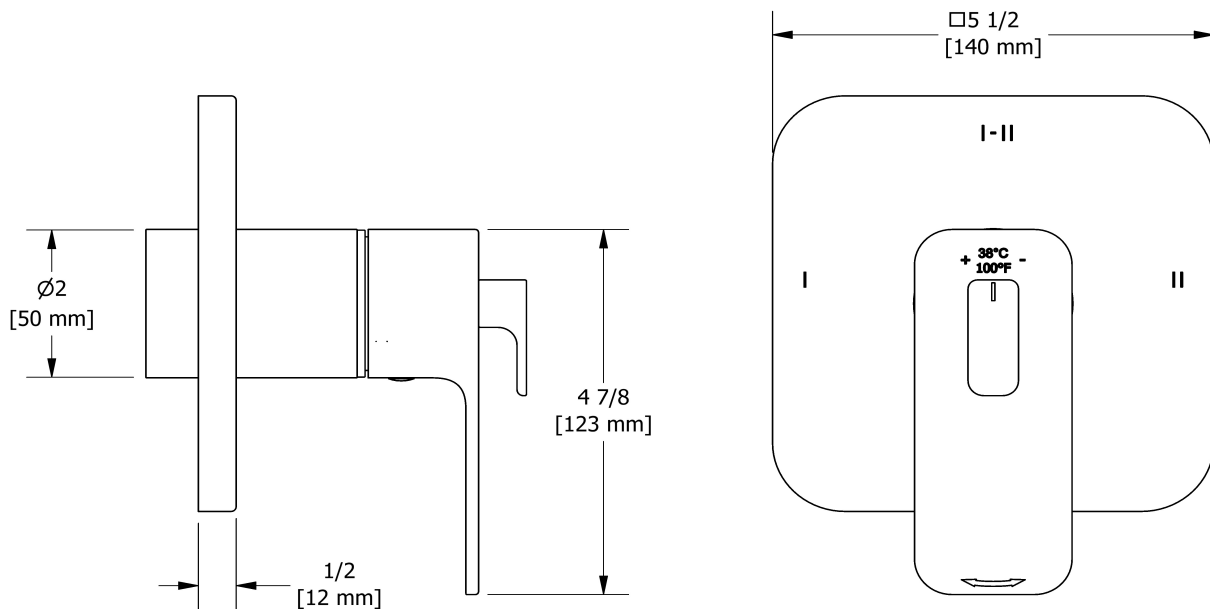
- 4 positions (OFF, 1, 1 and 2, 2) share
- Thermostatic/pressure balance coaxial cartridge with check valves
- Trim only
- R23, R23-SPEX or R23-EX rough required to complete

Available colors

- C : Chrome
- BN : Brushed Nickel (PVD)
- BK : Black

Certifications

- CSA B125.1
- ASME A112.18.1
- ASSE 1016
- CMR248 Approval
- ADA



Sizes, models and finishes may differ from those presented.

Warranty

This **Riobel Inc.** product you have purchased carries a Limited Lifetime Warranty on the chrome, PVD finish, blacks and all working parts and is guaranteed from the initial purchase date against all manufacturing defects. All other finishes, including plastic components, are guaranteed for one year. All electric and/or electronic parts are covered by a 5-year limited warranty.

Customer Service

Ontario, West Canada : 888-287-5354 Quebec, Maritimes, United States : 866-473-8442

2020.06.11



2-way Type T/P coaxial valve rough PEX
R23-SPEX



Specifications

Descriptions

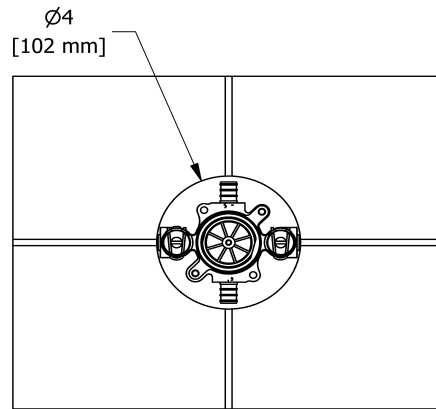
- Service valves
- TXX23XX or TXX44XX trim required to complete
- Two 1/2" outlets PEX
- 1/2" inlet PEX
- Test cap
- Rough only

Available colors

- :

Certifications

- CSA B125.1
- ASME A112.18.1
- ASSE 1016
- CMR248 Approval



Sizes, models and finishes may differ from thoses presented.

Warranty

This **Riobel Inc.** product you have purchased carries a Limited Lifetime Warranty on the chrome, PVD finish, blacks and all working parts and is guaranteed from the initial purchase date against all manufacturing defects. All other finishes, including plastic components, are guaranteed for one year. All electric and/or electronic parts are covered by a 5-year limited warranty.

Customer Service

Ontario, West Canada : 888-287-5354 Quebec, Maritimes, United States : 866-473-8442