



Hand shower rail
4830



Specifications

Descriptions

- Scale-free
- Ø25 mm (1") slide bar
- 150 cm (59") double interlock flexible hose, swivel and 2 check valves
- 4310, 3-jet hand shower

Available colors

- C : Chrome

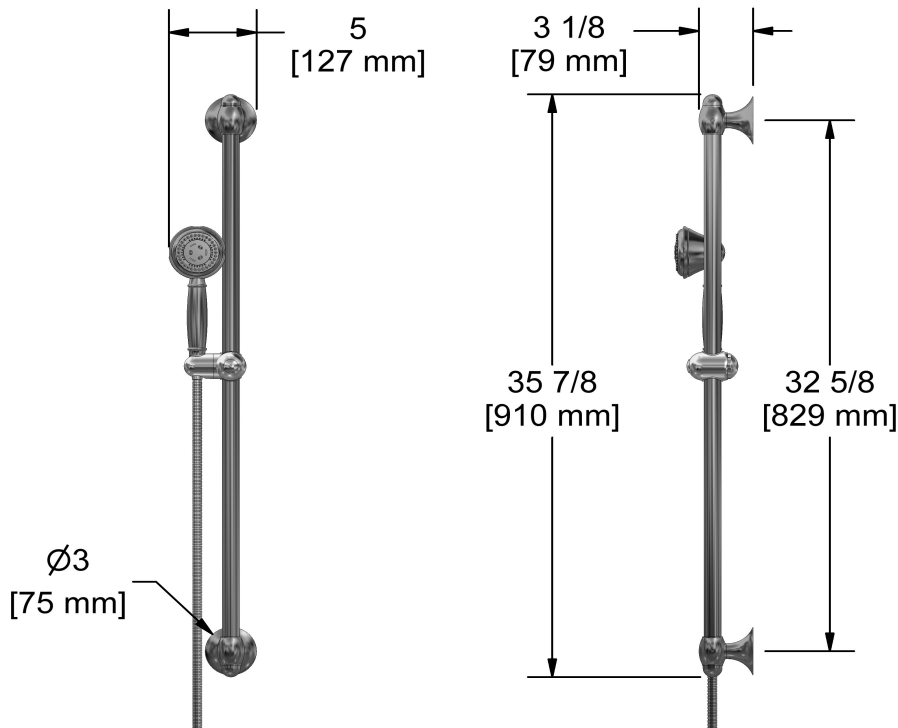
Available flows

- 7.6 L/min, 2.0 gpm (US) 60psi
- 5.69 L/min, 1.5 gpm (US) 60psi (4830-15)
- 6.6L/min, 1.75 gpm (US) 60psi (4830-WS) *

EPA certification applicable to the indicated model only

Certifications

- CSA B125.1
- ASME A112.18.1
- CMR248 Approval



Sizes, models and finishes may differ from those presented.

Warranty

This **Riobel Inc.** product you have purchased carries a Limited Lifetime Warranty on the chrome, PVD finish, blacks and all working parts and is guaranteed from the initial purchase date against all manufacturing defects. All other finishes, including plastic components, are guaranteed for one year. All electric and/or electronic parts are covered by a 5-year limited warranty.

Customer Service

Ontario, West Canada : 888-287-5354 Quebec, Maritimes, United States : 866-473-8442