



Spin tile body jet
369



Specifications

Descriptions

- Rotating jet
- 1/2" inlet male NPT
- Special rough included
- Must be ordered at the same time as the valve rough

Available colors

- C : Chrome

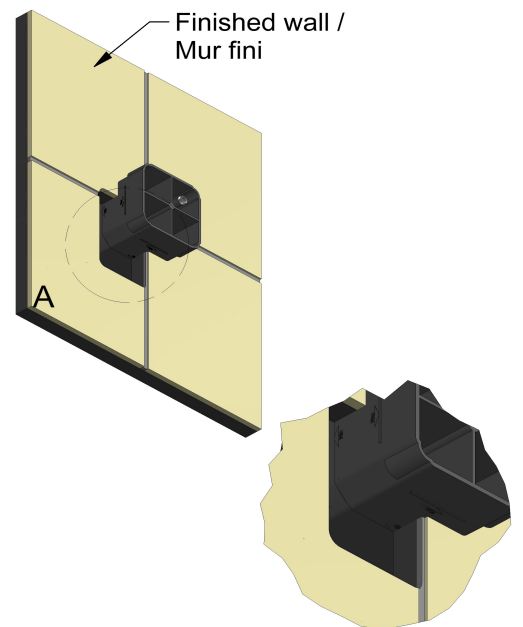
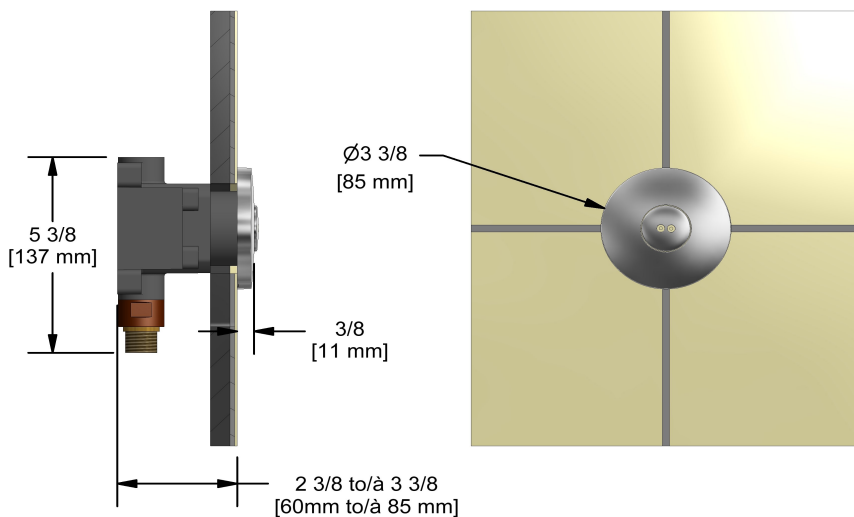
Available flow

- 3.7 L/min, 1 gpm (US) 60psi

Certifications

- CSA B125.1
- ASME A112.18.1
- CMR248 Approval

UPC®



DETAIL A

Wall template cut out, finished wall. /
Gabarit de mur pour découpage, mur fini.

Sizes, models and finishes may differ from those presented.

Warranty

This **Riobel Inc.** product you have purchased carries a Limited Lifetime Warranty on the chrome, PVD finish, blacks and all working parts and is guaranteed from the initial purchase date against all manufacturing defects. All other finishes, including plastic components, are guaranteed for one year. All electric and/or electronic parts are covered by a 5-year limited warranty.

Customer Service

Ontario, West Canada : 888-287-5354 Quebec, Maritimes, United States : 866-473-8442

2020.06.07